

Three-PLL General Purpose FLASH Programmable Clock Generator

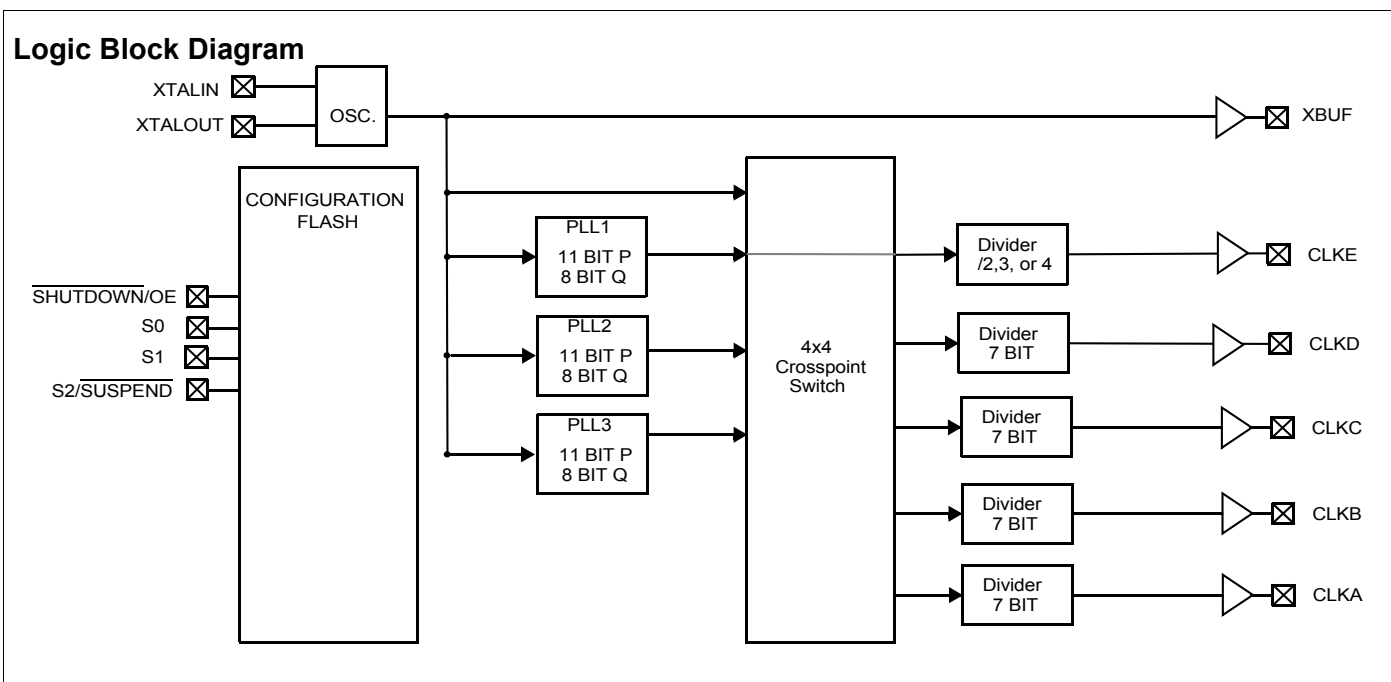
Features

- Three integrated phase-locked loops
- Ultra Wide Divide Counters (8-bit Q, 11-bit P, and 7-bit Post Divide)
- Improved Linear Crystal Load capacitors
- Flash programmability
- Field programmable
- Low-jitter, high-accuracy outputs
- Power-management options (Shutdown, OE, Suspend)
- Configurable Crystal drive strength
- Frequency Select through 3 external LVTTTL Inputs
- 3.3V operation
- 16-pin TSSOP packages
- CyClocksRT™ Support

Benefits

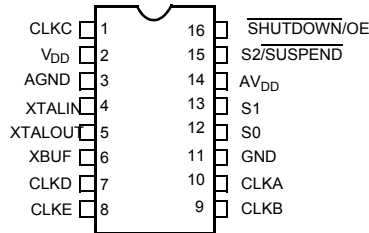
- Generates up to 3 unique frequencies on 6 outputs up to 200 MHz from an external source. Functional upgrade for current CY2292 family.
- Allows for 0 ppm Frequency Generation and Frequency Conversion under the most demanding applications.

- Improves frequency accuracy over temperature, age, process, and initial offset.
- Non-Volatile programming enables easy customization, ultra-fast turnaround, performance tweaking, design timing margin testing, inventory control, lower part count, and more secure product supply. In addition, any part in the family can also be programmed multiple times which reduces programming errors and provides an easy upgrade path for existing designs.
- In-house programming of samples and prototype quantities is available using the CY3672 FTG Development Kit. Production quantities are available through Cypress Semiconductor's value added Distribution partners or by using third party programmers from BP Microsystems, HiLo Systems, and others.
- Performance suitable for high-end multimedia, communications, industrial, A/D Converters, and consumer applications.
- Supports numerous low-power application schemes and reduces EMI by allowing unused outputs to be turned off.
- Adjust Crystal Drive Strength for compatibility with virtually all crystals.
- 3-Bit External Frequency Select Options for PLL1, CLKA, and CLKB.
- Industry-standard supply voltage.
- Industry-standard packaging saves on board space.
- Easy to use software support for design entry.



Pinouts

Figure 1. CY22392 - 16-pin TSSOP



Pin Definitions

Name	Pin Number	Description
CLKC	1	Configurable clock output C
V _{DD}	2	Power supply
AGND	3	Analog Ground
XTALIN	4	Reference crystal input or external reference clock input
XTALOUT	5	Reference crystal feedback
XBUF	6	Buffered reference clock output
CLKD	7	Configurable clock output D
CLKE	8	Configurable clock output E
CLKB	9	Configurable clock output B
CLKA	10	Configurable clock output A
GND	11	Ground
S0	12	General Purpose Input for Frequency Control; bit 0
S1	13	General Purpose Input for Frequency Control; bit 1
AV _{DD}	14	Analog Power Supply
S2/ SUSPEND	15	General Purpose Input for Frequency Control; bit 2. Optionally Suspend mode control input.
SHUTDOWN/OE	16	Places outputs in three-state condition and shuts down chip when LOW. Optionally, only places outputs in tristate condition and does not shut down chip when LOW

Operation

The CY22392 is an upgrade to the existing CY2292. The new device has a wider frequency range, greater flexibility, improved performance, and incorporates many features that reduce PLL sensitivity to external system issues.

The device has three PLLs which, when combined with the reference, allow up to four independent frequencies to be output on up to six pins. These three PLLs are completely programmable.

Configurable PLLs

PLL1 generates a frequency that is equal to the reference divided by an 8-bit divider (Q) and multiplied by an 11-bit divider in the PLL feedback loop (P). The output of PLL1 is sent to the crosspoint switch. The output of PLL1 is also sent to a /2, /3, or /4 synchronous post-divider that is output through CLKE. The frequency of PLL1 can be changed by external CMOS inputs, S0, S1, S2. See the following section on General-Purpose Inputs for more details.

PLL2 generates a frequency that is equal to the reference divided by an 8-bit divider (Q) and multiplied by an 11-bit divider in the PLL feedback loop (P). The output of PLL2 is sent to the crosspoint switch.

PLL3 generates a frequency that is equal to the reference divided by an 8-bit divider (Q) and multiplied by an 11-bit divider in the PLL feedback loop (P). The output of PLL3 is sent to the cross-point switch.

General-Purpose Inputs

S0, S1, and S2 are general-purpose inputs that can be programmed to allow for eight different frequency settings. Options that may be switched with these general purpose inputs are as follows; the frequency of PLL1, the output divider of CLKB, and the output divider of CLKA.

CLKA and CLKB both have 7-bit dividers that point to one of two programmable settings (register 0 and register 1). Both clocks share a single register control, so both must be set to register 0, or both must be set to register 1.

For example: the part may be programmed to use S0, S1, and S2 (0,0,0 to 1,1,1) to control eight different values of P and Q on PLL1. For each PLL1 P and Q setting, one of the two CLKA and CLKB divider registers can be chosen. Any divider change as a result of switching S0, S1, or S2 is guaranteed to be glitch free.

Crystal Input

The input crystal oscillator is an important feature of this device because of its flexibility and performance features.

The oscillator inverter has programmable drive strength. This allows for maximum compatibility with crystals from various manufacturers, processes, performances, and qualities.

The input load capacitors are placed on-die to reduce external component cost. These capacitors are true parallel-plate capacitors for ultra-linear performance. These were chosen to reduce the frequency shift that occurs when non-linear load capacitance interacts with load, bias, supply, and temperature changes. Non-linear (FET gate) crystal load capacitors must not be used for MPEG, POTS dial tone, communications, or other

applications that are sensitive to absolute frequency requirements.

The value of the load capacitors is determined by six bits in a programmable register. The load capacitance can be set with a resolution of 0.375 pF for a total crystal load range of 6 pF to 30 pF.

For driven clock inputs the input load capacitors may be completely bypassed. This enables the clock chip to accept driven frequency inputs up to 166 MHz. If the application requires a driven input, then XTALOUT must be left floating.

Output Configuration

Under normal operation there are four internal frequency sources that may be routed through a programmable crosspoint switch to any of the four programmable 7-bit output dividers. The four sources are: reference, PLL1, PLL2, and PLL3. In addition, many outputs have a unique capability for even greater flexibility. The following is a description of each output.

CLKA's output originates from the crosspoint switch and goes through a programmable 7-bit post divider. The 7-bit post divider derives its value from one of two programmable registers. Each of the eight possible combinations of S0, S1, S2 controls which of the two programmable registers is loaded into CLKA's 7-bit post divider. See the section "General-Purpose Inputs" for more information.

CLKB's output originates from the crosspoint switch and goes through a programmable 7-bit post divider. The 7-bit post divider derives its value from one of two programmable registers. Each of the eight possible combinations of S0, S1, and S2 controls which of the two programmable registers is loaded into CLKA's 7-bit post divider. See the section "General-Purpose" Inputs for more information.

CLKC's output originates from the crosspoint switch and goes through a programmable 7-bit post divider. The 7-bit post divider derives its value from one programmable register.

CLKD's output originates from the crosspoint switch and goes through a programmable 7-bit post divider. The 7-bit post divider derives its value from one programmable register.

CLKE's output originates from PLL1 and goes through a post divider that may be programmed to /2, /3, or /4.

XBUF is simply the buffered reference.

The Clock outputs have been designed to drive a single point load with a total lumped load capacitance of 15 pF. While driving multiple loads is possible with the proper termination it is generally not recommended.

Power Saving Features

The SHUTDOWN/OE input three-states the outputs when pulled LOW. If system shutdown is enabled, a LOW on this pin also shuts off the PLLs, counters, the reference oscillator, and all other active components. The resulting current on the V_{DD} pins is less than 5 μ A (typical). After leaving shutdown mode, the PLLs will have to relocate.

The S2/SUSPEND input can be configured to shut down a customizable set of outputs and/or PLLs, when LOW. All PLLs and any of the outputs can be shut off in nearly any combination. The only limitation is that if a PLL is shut off, all outputs derived from it must also be shut off. Suspending a PLL shuts off all

associated logic, while suspending an output simply forces a three-state condition.

Improving Jitter

Jitter Optimization Control is useful in mitigating problems related to similar clocks switching at the same moment, causing excess jitter. If one PLL is driving more than one output, the negative phase of the PLL can be selected for one of the outputs (CLKA–CLKD). This prevents the output edges from aligning, allowing superior jitter performance.

Power Supply Sequencing

For parts with multiple V_{DD} pins, there are no power supply sequencing requirements. The part is not be fully operational until all V_{DD} pins have been brought up to the voltages specified in the “Operating Conditions” table.

All grounds must be connected to the same ground plane.

CyClocksRT™ Software

CyClocksRT is our second-generation application that allows users to configure this device. The easy-to-use interface offers complete control of the many features of this family including input frequency, PLL and output frequencies, and different functional options. Data sheet frequency range limitations are checked and performance tuning is automatically applied. CyClocksRT also has a power estimation feature that allows you to see the power consumption of your specific configuration. You

can download a copy of CyClocksRT for free on Cypress’s web site at www.cypress.com.

Junction Temperature Limitations

It is possible to program the CY22392 such that the maximum Junction Temperature rating is exceeded. The package θ_{JA} is 115 C/W. Use the CyClocksRT power estimation feature to verify that the programmed configuration meets the Junction Temperature and Package Power Dissipation maximum ratings.

Maximum Ratings

Exceeding maximum ratings may shorten the useful life of the device. User guidelines are not tested.

Supply Voltage.....	-0.5V to +7.0V
DC Input Voltage	-0.5V to + (AV _{DD} + 0.5V)
Storage Temperature	-65°C to +125°C
Junction Temperature	125°C
Data Retention at T _j = 125°C	>10 years
Maximum Programming Cycles.....	100
Package Power Dissipation.....	350 mW
Static Discharge Voltage	
(per MIL-STD-883, Method 3015)	2000V
Latch up (per JEDEC 17)	≥ ±200 mA

Operating Conditions^[1]

Parameter	Description	Min	Typ.	Max	Unit
V _{DD} /AV _{DD}	Supply Voltage	3.135	3.3	3.465	V
T _A	Commercial Operating Temperature, Ambient	0	–	+70	°C
	Industrial Operating Temperature, Ambient	-40	–	+85	°C
C _{LOAD_OUT}	Max. Load Capacitance	–	–	15	pF
f _{REF}	External Reference Crystal	8	–	30	MHz
	External Reference Clock ^[2] , Commercial	1	–	166	MHz
	External Reference Clock ^[2] , Industrial	1	–	150	MHz
t _{PU}	Power up time for all VDD's to reach minimum specified voltage (power ramps must be monotonic)	0.05	–	500	ms

Notes

1. Unless otherwise noted, Electrical and Switching Characteristics are guaranteed across these operating conditions.
2. External input reference clock must have a duty cycle between 40% and 60%, measured at V_{DD}/2.

Switching Characteristics

Parameter	Name	Description	Min.	Typ.	Max.	Unit
1/t ₁	Output Frequency ^[3, 4]	Clock output limit, Commercial	–	–	200	MHz
		Clock output limit, Industrial	–	–	166	MHz
t ₂	Output Duty Cycle ^[3, 5]	Duty cycle for outputs, defined as $t_2 \div t_1$, F _{out} < 100 MHz, divider ≥ 2, measured at V _{DD} /2	45%	50%	55%	
		Duty cycle for outputs, defined as $t_2 \div t_1$, F _{out} > 100 MHz or divider = 1, measured at V _{DD} /2	40%	50%	60%	
t ₃	Rising Edge Slew Rate ^[3]	Output clock rise time, 20% to 80% of V _{DD}	0.75	1.4	–	V/ns
t ₄	Falling Edge Slew Rate ^[3]	Output clock fall time, 20% to 80% of V _{DD}	0.75	1.4	–	V/ns
t ₅	Output three-state Timing ^[3]	Time for output to enter or leave three-state mode after SHUTDOWN/OE switches	–	150	300	ns
t ₆	Clock Jitter ^[3, 6]	Peak-to-peak period jitter, CLK outputs measured at V _{DD} /2	–	400	–	ps
t ₇	Lock Time ^[3]	PLL Lock Time from Power up	–	1.0	3	ms

Switching Waveforms

Figure 2. All Outputs, Duty Cycle and Rise/Fall Time

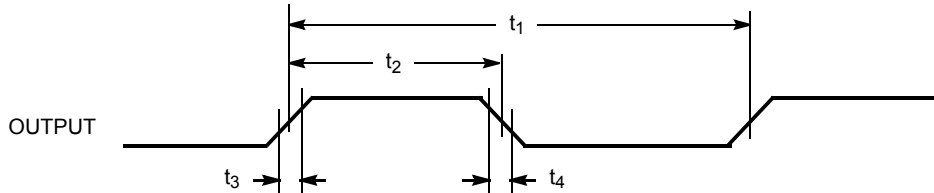


Figure 3. Output Three-State Timing

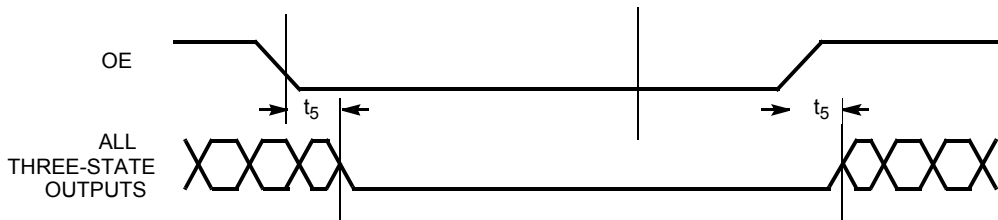
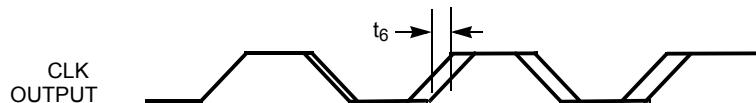


Figure 4. CLK Output Jitter

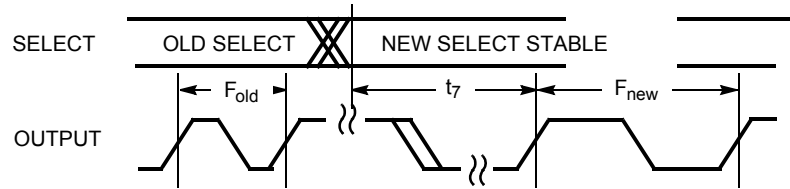


Notes

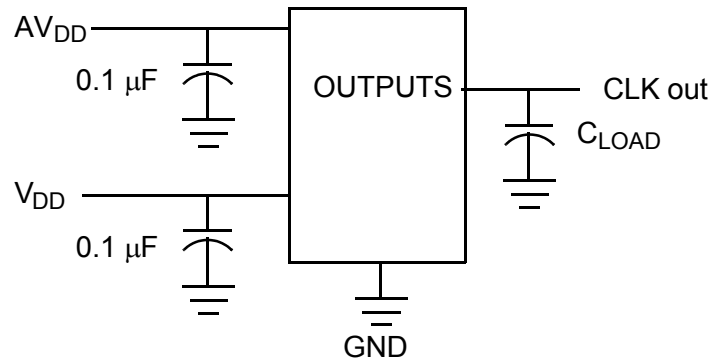
- 3. Guaranteed by design, not 100% tested.
- 4. Guaranteed to meet 20%–80% output thresholds and duty cycle specifications.
- 5. Reference Output duty cycle depends on XTALIN duty cycle.
- 6. Jitter varies significantly with configuration. Reference Output jitter depends on XTALIN jitter and edge rate.

Switching Waveforms (continued)

Figure 5. Frequency Change



Test Circuit



Ordering Information

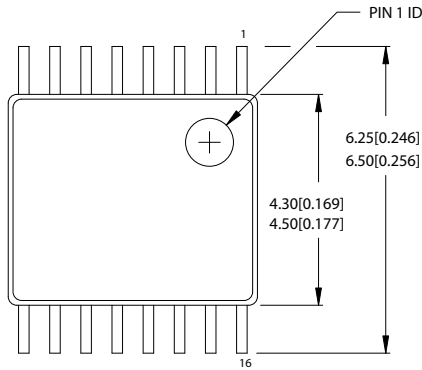
Ordering Code	Package Name	Package Type	Operating Range	Operating Voltage
CY22392FC ^[8]	Z16	16-TSSOP	Commercial (T _A = 0°C to 70°C)	3.3V
CY22392FCT ^[8]	Z16	16-TSSOP – Tape and Reel	Commercial (T _A = 0°C to 70°C)	3.3V
CY22392ZC-xxx ^[7, 8]	Z16	16-TSSOP	Commercial (T _A = 0°C to 70°C)	3.3V
CY22392ZC-xxxT ^[7, 8]	Z16	16-TSSOP – Tape and Reel	Commercial (T _A = 0°C to 70°C)	3.3V
CY22392ZI-xxx ^[7, 8]	Z16	16-TSSOP	Industrial (T _A = -40°C to 85°C)	3.3V
CY22392ZI-xxxT ^[7, 8]	Z16	16-TSSOP – Tape and Reel	Industrial (T _A = -40°C to 85°C)	3.3V
CY3672-USB		FTG Programmer		
CY3698		CY22392F, CY22393F CY22394F and CY22395F Adapter for CY3672-USB		
Pb Free				
CY22392FXC	Z16	16-TSSOP	Commercial (T _A = 0°C to 70°C)	3.3V
CY22392FXCT	Z16	16-TSSOP – Tape and Reel	Commercial (T _A = 0°C to 70°C)	3.3V
CY22392FXI	Z16	16-TSSOP	Industrial (T _A = -40°C to 85°C)	3.3V
CY22392FXIT	Z16	16-TSSOP – Tape and Reel	Industrial (T _A = -40°C to 85°C)	3.3V
CY22392ZXC-xxx ^[7]	Z16	16-TSSOP	Commercial (T _A = 0°C to 70°C)	3.3V
CY22392ZXC-xxxT ^[7]	Z16	16-TSSOP – Tape and Reel	Commercial (T _A = 0°C to 70°C)	3.3V
CY22392ZXI-xxx ^[7]	Z16	16-TSSOP	Industrial (T _A = -40°C to 85°C)	3.3V
CY22392ZXI-xxxT ^[7]	Z16	16-TSSOP – Tape and Reel	Industrial (T _A = -40°C to 85°C)	3.3V

Note

- 7. The CY22392ZC-xxx, CY22392ZI-xxx, CY22392ZXC-xxx, and CY22392ZXI-xxx are factory programmed configurations. Factory programming is available for high-volume design opportunities of 100 Ku/year or more in production. For more details, contact your local Cypress FAE or Cypress Sales Representative.
- 8. Not recommended for new designs.

Package Diagram

Figure 6. 16-lead TSSOP 4.40 MM Body Z16.173

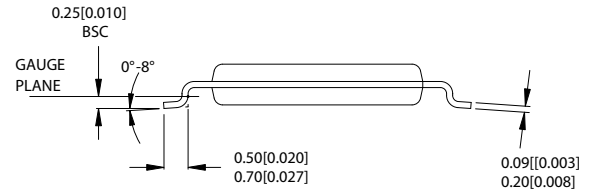
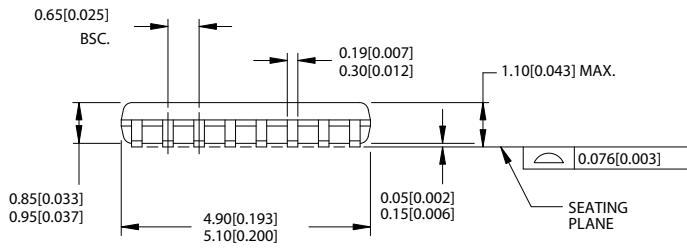


DIMENSIONS IN MM[INCHES] MIN.
MAX.

REFERENCE JEDEC MO-153

PACKAGE WEIGHT 0.05 gms

PART #	
Z16.173	STANDARD PKG.
ZZ16.173	LEAD FREE PKG.



51-85091-*A

Document History Page

Document Title: CY22392 Three PLL General Purpose Flash Programmable Clock Generator Document Number: 38-07013				
REV.	ECN	Orig. of Change	Submission Date	Description of Change
**	106738	TLG	07/03/01	New Data Sheet
*A	108515	JWK	08/23/01	Updates based on characterization results. Removed "Preliminary" heading. Added paragraph on Junction Temperature limitations and part configurations. Removed soldering temperature rating. Split crystal load into two typical specs representing digital settings range. Changed t_5 max to 300 ns. Changed t_7 typical to 1.0 ms.
*B	110052	CKN	12/09/01	Preliminary to Final.
*C	121864	RBI	12/14/02	Power up requirements added to Operating Conditions Information
*D	237811	RGL	See ECN	Added Lead Free Devices
*E	2584052	AESA	10/10/08	Updated template. Added Note "Not recommended for new designs." Added part number CY22392FC, CY22392FCT, CY22392ZC-xxxT, CY22392ZI-xxxT, CY3672-USB, CY3698, CY22392FXCT, CY22392FXIT, CY22392ZXC-xxxT, and CY22392ZXI-xxxT, in ordering information table. Removed part number CY22392FI in ordering information table. Changed Lead-Free to Pb-Free.

Sales, Solutions, and Legal Information

Worldwide Sales and Design Support

Cypress maintains a worldwide network of offices, solution centers, manufacturer's representatives, and distributors. To find the office closest to you, visit us at cypress.com/sales.

Products

PSoC	psoc.cypress.com
Clocks & Buffers	clocks.cypress.com
Wireless	wireless.cypress.com
Memories	memory.cypress.com
Image Sensors	image.cypress.com

PSoC Solutions

General	psoc.cypress.com/solutions
Low Power/Low Voltage	psoc.cypress.com/low-power
Precision Analog	psoc.cypress.com/precision-analog
LCD Drive	psoc.cypress.com/lcd-drive
CAN 2.0b	psoc.cypress.com/can
USB	psoc.cypress.com/usb

© Cypress Semiconductor Corporation, 2001-2008. The information contained herein is subject to change without notice. Cypress Semiconductor Corporation assumes no responsibility for the use of any circuitry other than circuitry embodied in a Cypress product. Nor does it convey or imply any license under patent or other rights. Cypress products are not warranted nor intended to be used for medical, life support, life saving, critical control or safety applications, unless pursuant to an express written agreement with Cypress. Furthermore, Cypress does not authorize its products for use as critical components in life-support systems where a malfunction or failure may reasonably be expected to result in significant injury to the user. The inclusion of Cypress products in life-support systems application implies that the manufacturer assumes all risk of such use and in doing so indemnifies Cypress against all charges.

Any Source Code (software and/or firmware) is owned by Cypress Semiconductor Corporation (Cypress) and is protected by and subject to worldwide patent protection (United States and foreign), United States copyright laws and international treaty provisions. Cypress hereby grants to licensee a personal, non-exclusive, non-transferable license to copy, use, modify, create derivative works of, and compile the Cypress Source Code and derivative works for the sole purpose of creating custom software and/or firmware in support of licensee product to be used only in conjunction with a Cypress integrated circuit as specified in the applicable agreement. Any reproduction, modification, translation, compilation, or representation of this Source Code except as specified above is prohibited without the express written permission of Cypress.

Disclaimer: CYPRESS MAKES NO WARRANTY OF ANY KIND, EXPRESS OR IMPLIED, WITH REGARD TO THIS MATERIAL, INCLUDING, BUT NOT LIMITED TO, THE IMPLIED WARRANTIES OF MERCHANTABILITY AND FITNESS FOR A PARTICULAR PURPOSE. Cypress reserves the right to make changes without further notice to the materials described herein. Cypress does not assume any liability arising out of the application or use of any product or circuit described herein. Cypress does not authorize its products for use as critical components in life-support systems where a malfunction or failure may reasonably be expected to result in significant injury to the user. The inclusion of Cypress' product in a life-support systems application implies that the manufacturer assumes all risk of such use and in doing so indemnifies Cypress against all charges.

Use may be limited by and subject to the applicable Cypress software license agreement.