

■ General Description

The AME8848 of positive, linear regulators feature low quiescent current (30 μ A typ.) with low dropout voltage, making them ideal for battery applications. The space-saving SOT-223 packages are attractive for "Pocket" and "Hand Held" applications.

These rugged devices have both thermal shutdown, and current fold-back to prevent device failure under the "Worst" operating conditions.

The AME8848 is stable with an output capacitance of 2.2 μ F or greater.

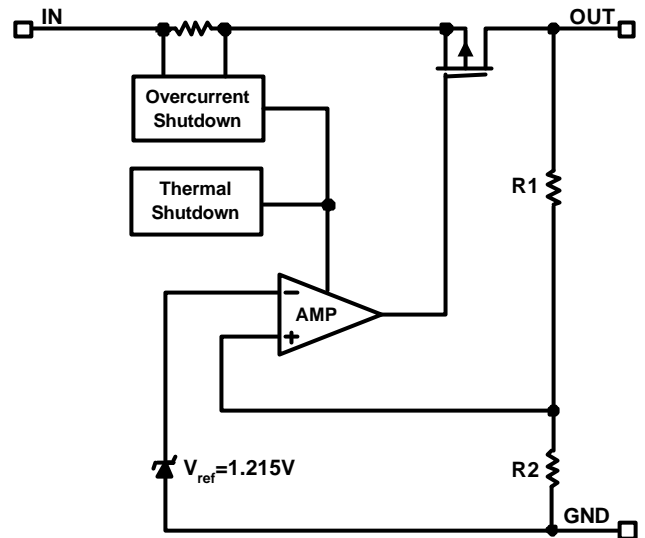
■ Features

- Very Low Dropout Voltage
- Guaranteed 1A Output
- Accurate to within $\pm 1.5\%$
- 30 μ A Quiescent Current
- Over-Temperature Shutdown
- Current Limiting
- Short Circuit Current Fold-back
- Space-Saving SOT-223 Packages
- Factory Pre-set Output Voltages
- Low Temperature Coefficient
- All AME's Lead Free Products Meet RoHS Standards

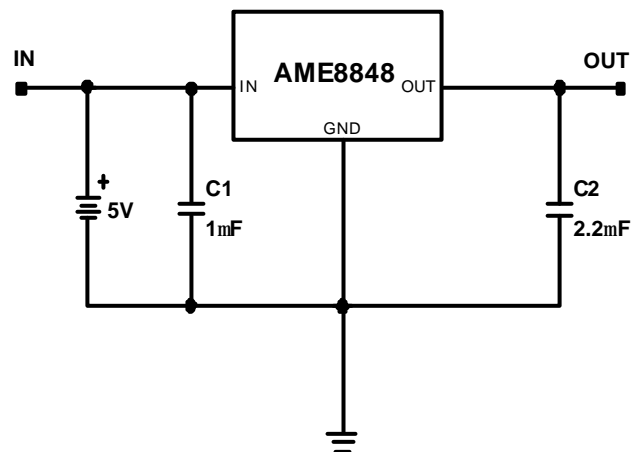
■ Applications

- Instrumentation
- Portable Electronics
- Wireless Devices
- Cordless Phones
- PC Peripherals
- Battery Powered Widgets

■ Functional Block Diagram



■ Typical Application

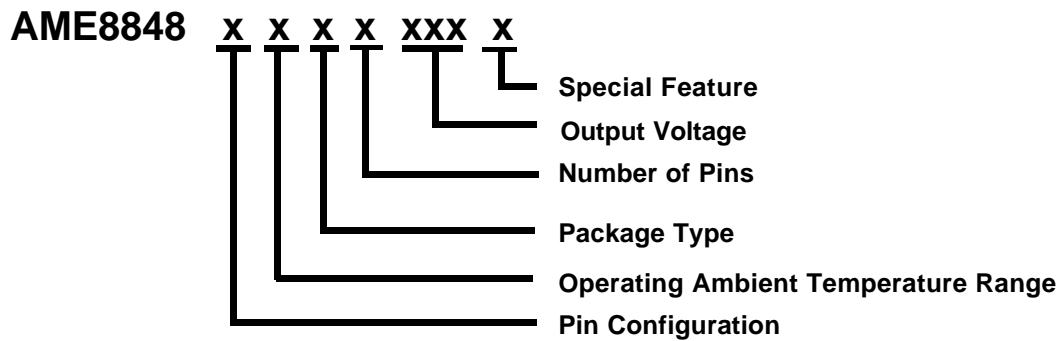


■ Pin Configuration

AME8848AEGT

1. IN
2. GND(TAB)
3. OUT

* Die Attach:
Conductive Epoxy

■ Ordering Information


Pin Configuration	Operating Ambient Temperature Range	Package Type	Number of Pins	Output Voltage	Special Feature
A: 1. IN (SOT-223) 2. GND 3. OUT	E: -40°C to +85°C	G: SOT-223	T: 3	180: V=1.8V 250: V=2.5V 330: V=3.3V	Z: Lead Free



AME8848

1A CMOS LDO

■ Ordering Information

Part Number	Marking*	Output Voltage	Package	Operating Ambient Temperature Range
AME8848AEGT180Z	BLlyww	1.8V	SOT-223	- 40°C to +85°C
AME8848AEGT250Z	BLJyww	2.5V	SOT-223	- 40°C to +85°C
AME8848AEGT330Z	BLKyww	3.3V	SOT-223	- 40°C to +85°C

Note: ww & yww represents the date code pls refer to Date Code Rule on Package Dimension.

* A line on top of the first letter represents lead free plating such as BLlyww.

Please consult AME sales office or authorized Rep./Distributor for output voltage and package type availability.

■ Absolute Maximum Ratings

Parameter	Maximum	Unit
Input Voltage	8	V
Output Current	1.2	A
Input, Output Voltage	GND - 0.3 to $V_{IN} + 0.3$	V
ESD Classification	B*	

Caution: Stress above the listed absolute maximum rating may cause permanent damage to the device.

*HBM B:2000V~3999V

■ Recommended Operating Conditions

Parameter	Symbol	Rating	Unit
Ambient Temperature Range	T_A	- 40 to +85	°C
Junction Temperature Range	T_J	- 40 to +125	°C
Storage Temperature Range	T_{STG}	- 65 to +150	°C

■ Thermal Information

Parameter	Package	Die Attach	Symbol	Maximum	Unit
Thermal Resistance* (Junction to Case)	SOT-223	Conductive Epoxy	θ_{JC}	25	°C / W
Thermal Resistance (Junction to Ambient)	SOT-223		θ_{JA}	120	°C / W
Internal Power Dissipation	SOT-223		P_D	900	mW
Solder Iron(10 Sec)**				350	°C

* Measure θ_{JC} on backside center of tab.

** MIL-STD-202G 210F

■ Electrical Specifications

$T_A = 25^\circ\text{C}$ unless otherwise noted.

Parameter	Symbol	Test Condition	Min	Typ	Max	Units	
Input Voltage	V_{IN}		Note 1		7	V	
Output Voltage Accuracy	V_{OUT}	$I_{OUT}=1\text{mA}$	-1.5		1.5	%	
Dropout Voltage	V_{DROP}	$I_{OUT}=1\text{A}$ $V_{OUT}=V_{OUT(NOM)} - 2.0\%$	$1.8\text{V} \leq V_{OUT(NOM)} \leq 2.0\text{V}$	See chart	1700	mV	
			$2.0\text{V} < V_{OUT(NOM)} \leq 2.8\text{V}$		1200		
			$2.8\text{V} < V_{OUT(NOM)}$		1000		
Output Current	I_{OUT}	$V_{OUT} \geq 1.8\text{V}$	1000			mA	
Output Current Limit	I_{LIM}	$V_{OUT} \geq 1.8\text{V}$	1100			mA	
Output Short Circuit Current	I_{SC}	$V_{OUT} < 0.8\text{V}$		400	800	mA	
Quiescent Current	I_Q	$I_{OUT}=0\text{mA}$		30	50	μA	
Ground Pin Current	I_{GND}	$I_{OUT}=1\text{mA}$ to 1000mA		35		μA	
Output Voltage Line Regulation	REG_{LINE}	$I_{OUT}=1\text{mA}$ $V_{IN}=V_{OUT}+1$ to $V_{OUT}+2$	$1.8\text{V} \leq V_{OUT} \leq 2.0\text{V}$	-0.15		0.15	%
			$2.0\text{V} < V_{OUT} < 4.0\text{V}$	-0.1	0.02	0.1	
			$V_{OUT} \geq 4.0\text{V}$	-0.4	0.2	0.4	
Output Voltage Load Regulation	REG_{LOAD}	$I_{OUT} = 1\text{mA}$ to 1000mA		0.4	1.2	%	
Thermal Shutdown Temperature	T_{SHDN}			150		$^\circ\text{C}$	
Temperature Hysteresis	T_{HYS}			30		$^\circ\text{C}$	
Output Voltage Temperature Coefficient	T_C			30		ppm/ $^\circ\text{C}$	
Power Supply Ripple Rejection	PSRR	$I_{OUT}=100\text{mA}$ $C_{OUT}=2.2\mu\text{F}$	$f = 100\text{Hz}$		60	dB	
			$f = 1\text{KHz}$		50		
			$f = 10\text{KHz}$		20		
Output Voltage Noise	e_N	$f = 10\text{Hz}$ to 100KHz $I_{OUT}=10\text{mA}$	$C_{OUT}=2.2\mu\text{F}$		30	μVrms	

Note1: $V_{IN(MIN)} = V_{OUT} + V_{DROP}$

Note2: To prevent the Short Circuit Current protection feature from being prematurely activated, the input voltage must be applied before a current source load is applied.

■ Detailed Description

The AME8848 of CMOS regulators contains a PMOS pass transistor, voltage reference, error amplifier, over-current protection, and thermal shutdown.

The P-channel MOSFET pass transistor receives data from the error amplifier, over-current shutdown, and thermal protection circuits. During normal operation, the error amplifier compares the output voltage to a precision reference. Over-current and Thermal shutdown circuits become active when the junction temperature exceeds 150°C, or the current exceeds 1100mA. During thermal shutdown, the output voltage remains low. Normal operation is restored when the junction temperature drops below 120°C.

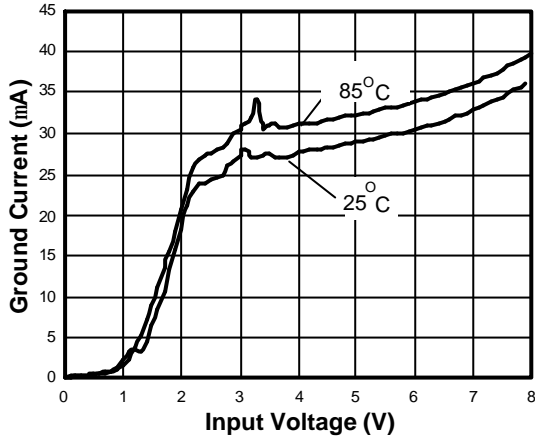
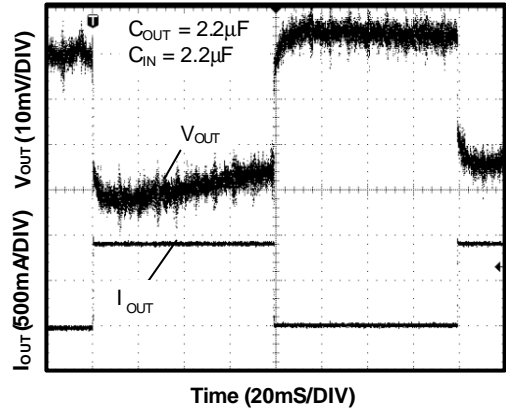
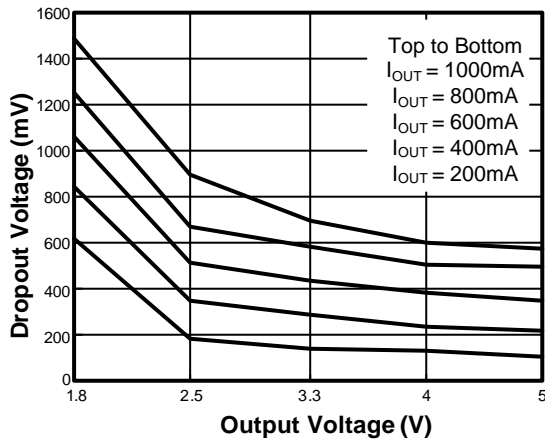
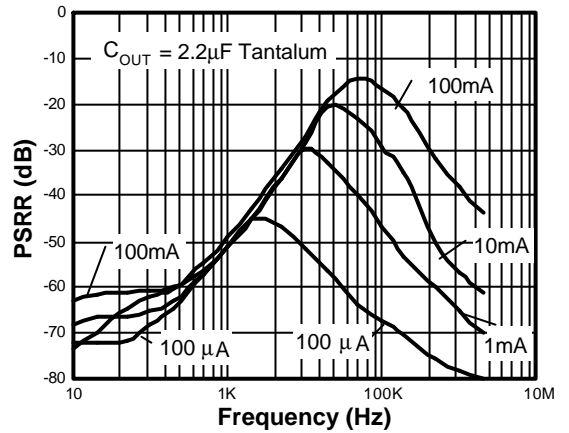
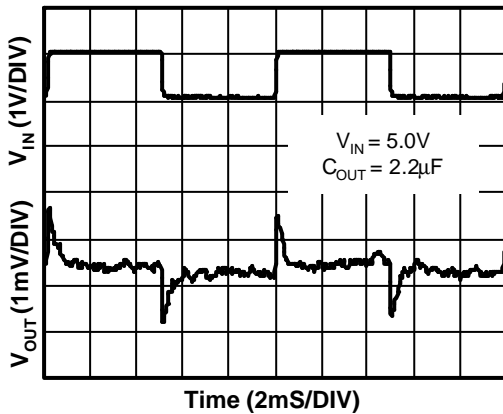
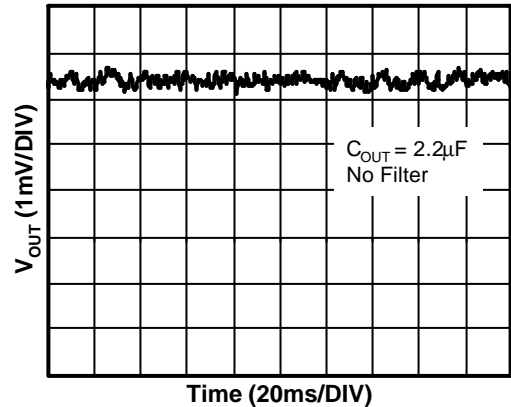
The AME8848 switches from voltage mode to current mode when the load exceeds the rated output current. This prevents over-stress. The AME8848 also incorporates current foldback to reduce power dissipation when the output is short circuited. This feature becomes active when the output drops below 0.8 volts, and reduces the current flow by 65%. Full current is restored when the voltage exceeds 0.8 volts.

■ External Capacitors

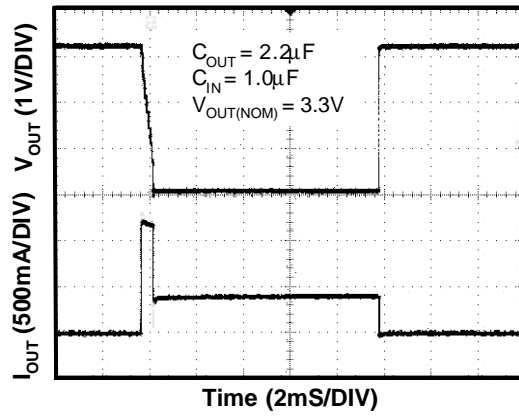
The AME8848 is stable with an output capacitor to ground of 2.2 μ F or greater. Ceramic capacitors have the lowest ESR, and will offer the best AC performance. Conversely, Aluminum Electrolytic capacitors exhibit the highest ESR, resulting in the poorest AC response. Unfortunately, large value ceramic capacitors are comparatively expensive. One option is to parallel a 0.1 μ F ceramic capacitor with a 10 μ F Aluminum Electrolytic. The benefit is low ESR, high capacitance, and low overall cost.

A second capacitor is recommended between the input and ground to stabilize V_{in} . The input capacitor should be at least 0.1 μ F to have a beneficial effect.

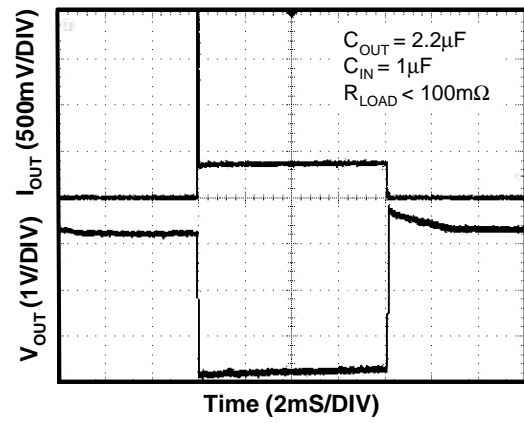
All capacitors should be placed in close proximity to the pins. A "Quiet" ground termination is desirable. This can be achieved with a "Star" connection.

Ground Current vs. Input Voltage

Load Step (1mA-1000mA)

Dropout Voltage vs. Output Voltage

Power Supply Ripple Rejection Ratio

Line Transient Response

Noise Measurement


Current Limit Response

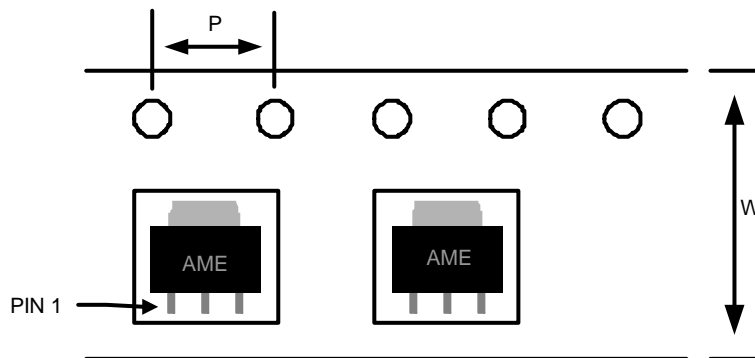


Short Circuit Response

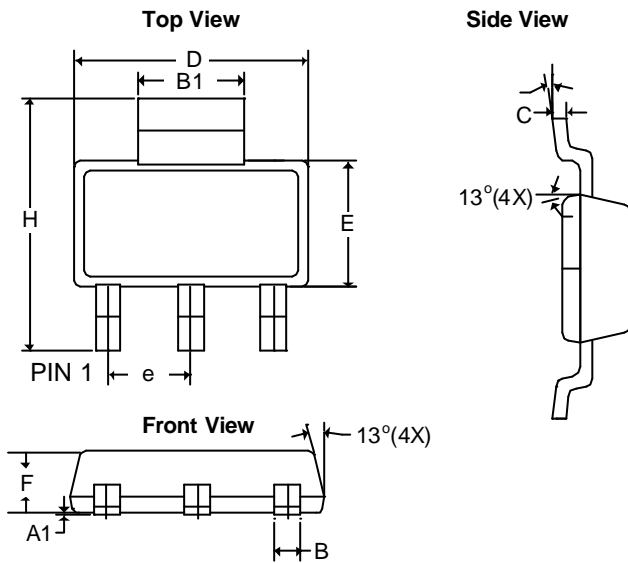


■ Date Code Rule

Marking			Date Code		Year
A	A	A	W	W	xxx0
A	A	A	W	<u>W</u>	xxx1
A	A	A	<u>W</u>	W	xxx2
A	A	A	<u>W</u>	<u>W</u>	xxx3
A	A	<u>A</u>	W	W	xxx4
A	A	<u>A</u>	W	<u>W</u>	xxx5
A	A	<u>A</u>	<u>W</u>	W	xxx6
A	A	<u>A</u>	<u>W</u>	<u>W</u>	xxx7
A	<u>A</u>	A	W	W	xxx8
A	<u>A</u>	A	W	<u>W</u>	xxx9

■ Tape and Reel Dimension
SOT-223

Carrier Tape, Number of Components Per Reel and Reel Size

Package	Carrier Width (W)	Pitch (P)	Part Per Full Reel	Reel Size
SOT-223	12.0±0.1 mm	4.0±0.1 mm	2500pcs	330±1 mm

■ Package Dimension
SOT-223


SYMBOLS	MILLIMETERS		INCHES	
	MIN	MAX	MIN	MAX
A ₁	0.01	0.10	0.0004	0.0039
B	0.60	0.84	0.0236	0.0330
B ₁	2.90	3.15	0.1140	0.1240
C	0.24	0.38	0.0094	0.0150
D	6.30	6.71	0.2480	0.2640
E	3.30	3.71	0.1299	0.1460
e	2.30 BSC		0.0906 BSC	
F	1.40	1.80	0.0551	0.0709
H	6.70	7.30	0.2638	0.2874
q	0°	10°	0°	10°



www.ame.com.tw
E-Mail: sales@ame.com.tw

Life Support Policy:

These products of AME, Inc. are not authorized for use as critical components in life-support devices or systems, without the express written approval of the president of AME, Inc.

AME, Inc. reserves the right to make changes in the circuitry and specifications of its devices and advises its customers to obtain the latest version of relevant information.

© AME, Inc. , November 2008
Document: 2095-DS8848-A.04

Corporate Headquarter
AME, Inc.

2F, 302 Rui-Guang Road, Nei-Hu District
Taipei 114, Taiwan.

Tel : 886 2 2627-8687

Fax: 886 2 2659-2989