

**AC Semiconductor Contactor**  
**pitch 22,5mm**  
**compact size and DIN rail mounting.**

**SIL842170**

**Output : 12-275VAC 25A(\*)**  
**Input : 3-32VDC/I<10mA**

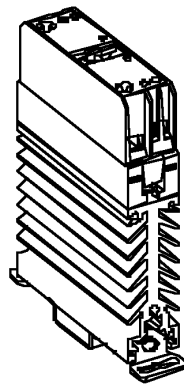
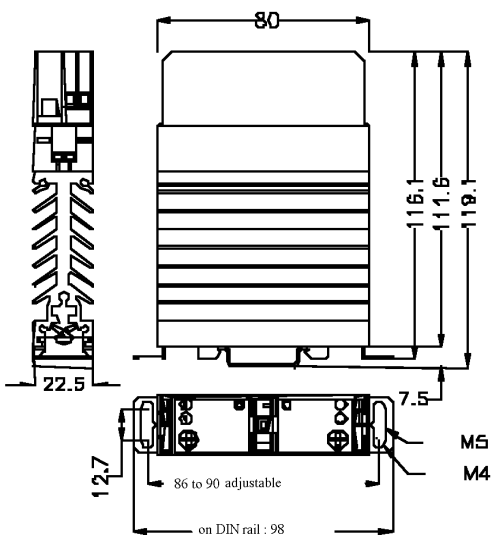
- ❑ Ready to use Single-Phase Relay: " Install it & Forget it!"
- ❑ Zero cross model : **12-275VAC 25A** alternistor on output.  $I^2t$  value > 312A<sup>2</sup>s .
- ❑ Large control range : **3-32VDC** with an input current < 10 mA on all the range. Green LED visualization on the input.
- ❑ Very high immunity : Voltage protection on output and input- 4kV according IEC61000-4-4 & 5
- ❑ IP20 housing
- ❑ Low leakage current (<1mA) and low zero cross voltage (<10V)
- ❑ Mounting and dismounting on DIN rail without any tool or directly mountable on panel.
- ❑ Designed in conformity with EN60947-4-3 (IEC947-4-3)-UL-cUL



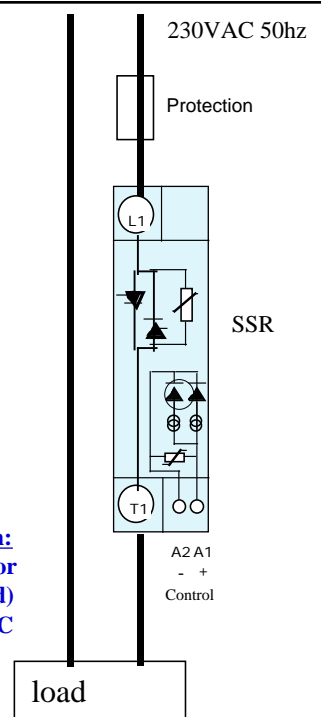
(\*) see conditions (thermal curve page 3)

20A US

Dimensions :



**Typical application:**  
**4kW resistor**  
**(AC-51 load)**  
**on 230 VAC**



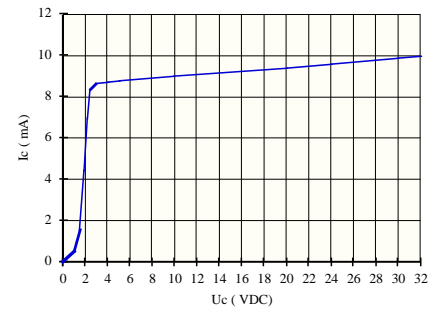
*Proud to serve you*

**celduc®**  
**r e l a i s**

Control characteristics (at 25°C)

Paramètre / Parameter	Symbol	DC			Unit
		Min	Nom	Max	
Control voltage	Uc	3	5-12-24	32	V
Control current (@ Uc)	Ic	<10	<10	<10	mA
Release voltage	Uc off	1			V
Input LED		green			
Reverse voltage	Urv		32		V
Clamping voltage	Uclamp		42		V
Input immunity : EN61000-4-4			2kV		
Input immunity : EN61000-4-5			2KV		

Input : Ic = f( Uc)



Output characteristics (at 20°C)

Parameter	Conditions	Symbol	Typ.	Unit
Load voltage		Ue	230	V rms
Operating range		Uemin-max	12-275	V rms
Peak voltage		Up	600	V
Clamping voltage		Uclamp	430 (@1mA)	V
Zero cross level		Usync	10	V
Latching voltage	Ie nom	Ua	8	V
AC-51 nominal current : permanent	( see Fig. 2 page 3 )	Ie AC-51	<b>25</b>	A rms
AC-53 nominal current		Ie AC-53	5	A rms
Non repetitive overload current	tp=10ms (Fig. 3)	Itsm	250	A
On state voltage drop (typical value)	@ 25°C	Vt	0,85	V
Dynamic resistance (typical value)		rt	15	m
Output Power dissipation (typical value)		Pd	0,9xIe+0,015xIe <sup>2</sup>	W
Thermal resistance between junction to air : calm air ( ventilation in the cabinet)		Rthj/a	3,8 (3,3)	K/W
Off state leakage current	@Ue, 50Hz	Ilk	<1	mA
Minimum load current		Iemin	5	mA
Turn on time	Uc nom DC ,f=50Hz	ton max	10	ms
Turn off time	Uc nom DC ,f=50Hz	toff max	10	ms
Operating frequency range		f	0,1-440	Hz
Off state dv/dt		dv/dt	500	V/μs
Maximum di/dt non repetitive		di/dt	50	A/μs
I2t (<10ms)		I <sup>2</sup> t	312	A <sup>2</sup> s
Conducted immunity level	IEC 1000-4-4 (burst)		4kV criterion A	
Conducted immunity level	IEC 1000-4-5(schocks)		4kV criterion A	
Short circuit protection	FERRAZ		gRC 25A 14x51 165A <sup>2</sup> s	

General characteristics (at 20°C)

Input-output isolation @500m	Ui	4000	VRMS
Output-case isolation @500m	Ui	2500	VRMS
Insulation resistance		100 (@500VDC)	M
Rated impulse voltage	Uimp	4000	V
Protection level / CEI529		IP20	
Pollution degree	-	2	
Vibration resistance 10 -55 Hz according to CEI68 :	-	1,5	mm
Shocks resistance according to CEI68 ( on DIN rail / with screws)	-	30/50	g
Ambient temperature (with no icing or condensation)	-	-30 /+80	°C
Storage temperature (with no icing or condensation)	-	-30/+100	°C
Ambient humidity	HR	40 to 85	%
Weight	-	260	g
Conformity		EN60947-4-3 (IEC947-4-3)	
Conformity		UL/cUL pending	



ISO 9001  
N° 1993/1106a

**Thermal specifications .**

**Current according ambient temperature :**

- **The curve "1"** gives the limits of the product. The temperature reached are acceptable for the components. These values are in compliance with most of SSRs manufacturers. In a cabinet with a minimum of ventilation or a non permanent current, these values are correct.
- **The curve "2"** gives the limits of the product according to EN60947-4-3 with a maximum rise temperature of 50°C (@40°C) for a permanent working and in air calm ( test during 8 hours).
- For a non permanent current, you can calcule the average power = Pd x duty cycle and check the rise temperature :  $\Delta T_j = P_d \times R_{thj/a}$  (Pd and Rthj/a are given page 2). The junction temperature must not exceed 125°C at the maximum ambient temperature. **The maximum current is limited to the size of the alternistor = 25A.**
- The thermal constant (Cth) of the product is 7 minutes. That means the rise temperature is only 63% of the stabilized temperature after a running time of 7 minutes.

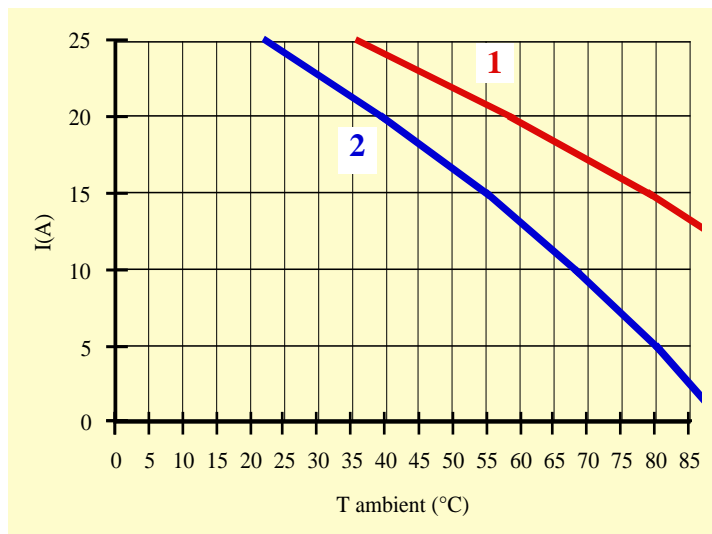


fig 2

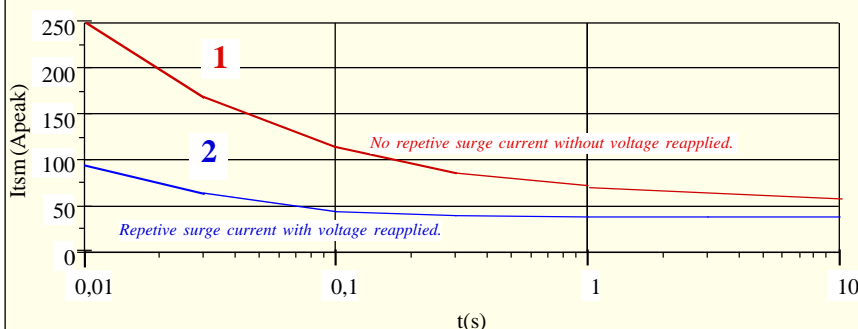
**Overload current .**

1 - **No repetitive I<sub>sm</sub>** is given without voltage reapplied . This curve is used for the determination of the protection.

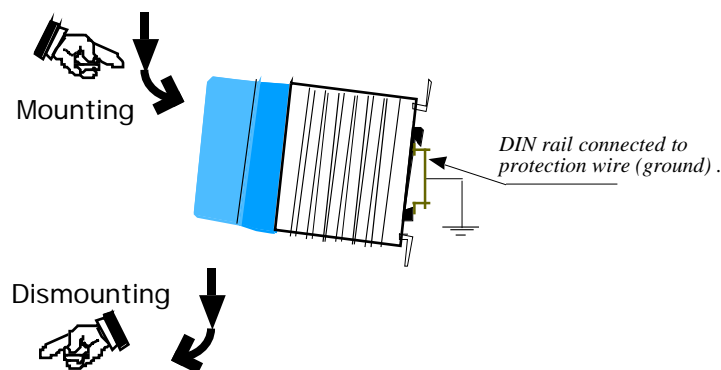
2 - **Repetitive I<sub>sm</sub>** is given for inrush current with initial T<sub>j</sub> = 70°C. In normal working , this curve musn't be exceed. Be carefull, the repetition of the surge current decrease the lifetime SSR's .

fig 3

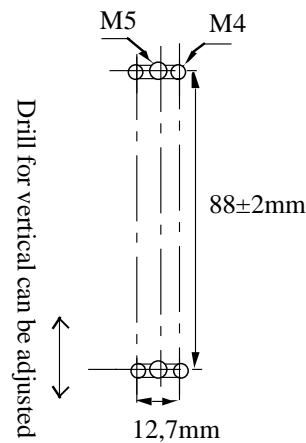
Fig.3 Surge current : I<sub>sm</sub> (Apeak) = f(t) for 25A models with I<sub>sm</sub> =250A



**Mounting and dismounting on DIN rail without any tool.**



**Panel Mounting**



➤ **Warning !** semiconductor relays don't provide any galvanic insulation between the load and the mains. Always use in conjunction with an adapted circuit breaker with isolation feature or a similar device in order to ensure a reliable isolation in the event of wrong function and when the relay must be insulated from the mains (maintenance ; if not used for a long duration ...).



**Connections .**

➤ For the output terminals, the wire cross sections must be adapted to the load current and to the overcurrent protection device characteristics. The relay rated voltage must be adapted to the mains rated voltage.

➤ celpac use screw clamp connections.



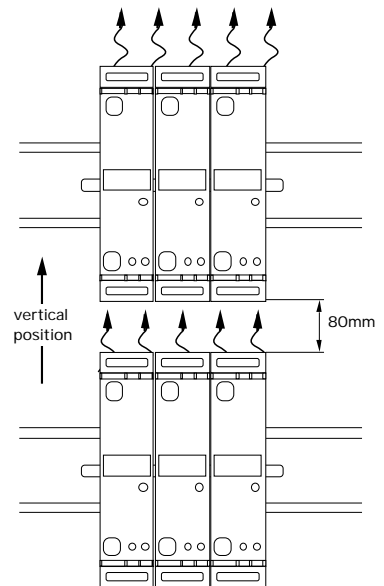
wires (mm <sup>2</sup> )	torques	screwdriver
 <b>control</b> 1 x(0,75-->2,5) L = 6mm	 0,4N.m (0,6N.m max)	 3,5x0,5mm
 <b>Power</b> 1x(1,5-->16)   1 x(1,5-->10) L = 10mm	 1,2N.m (1,8N.m max)	 Pozidriv2/ 0,8x5,5 (1x6)

**Mounting**

➤ **Warning :** only in vertical position. The user should protect heat sensitive materials as well as persons against any contacts with the heatsink. For non vertical mounting , the load current must be 50% lower than the rated one . For a good cooling, the SSR needs an air convection. Less convection air produces an abnormal heating. Keep a distance between the upper SSR and the lower SSR. In case of no space between two SSR ( zero space between two SSRs) , please reduce the load current. For further details refer to below :

➤ **Derating current with no space between SSRs**

AC-51 nominal currents are given with a space of 22,5mm between each SSR, for a permanent current during a minimum time of 8 hours in air calm according to IEC60947-4-3. In case of non permanent currents or in case of SSRs are mounted with no space, you must check the heatsink temperature never exceed 90°C. When the SSRs are mounted side to side ( no space between each relay) a derating current of 25% must be take into account. A forced cooling ( fan inside the cabinet) improves significantly the thermal performances.



**Typical application : LOADS**

SIL product is designed mainly for AC-51 résistive load. AC-53 motor current are also given . For other loads, check the inrush current at turn ON and possible overvoltages at turn OFF or consult us :

\* AC-55b : Incandescent lamps : Inrush current is generally 10 times  $I_n$  during few 10ms. So limit the nominal current at about 10A.

\* AC-55a : Electric discharge lamp : These loads often have overcurrent at turn ON and overvoltage at turn OFF, so we advise to use 400VAC SSR on 230VAC mains.

\* AC-56a : Transformers loads: Very high inrush current up to 100 times  $I_n$  . We advise to use random SSR.

\* AC-56b : Capacitors loads: Very high current at turn ON and overvoltage at turn OFF, please consult us with 1600V peak SSR with high inrush current.

**Protection :**

To protect the SSR against a short-circuit of the load , use a fuse with a  $I^2t$  value =  $1/2 I^2t$  value specified page 2. A test has been made with FERRAZ fuse ( see page 2). It is possible to protect SSR by MCB ( miniature circuit breaker). In this case, see application note ( SSR protection) and use a SSR with high  $I^2t$  value (5000A<sup>2</sup>s minimum)

**EMC :**

➤ **Immunity :**

We give in our data-sheets, the immunity level of our SSRs according to the main standards for this type of products : EN61000-4-4 &5. You can see the high immunity level in comparison with the products on the market.

➤ **Emission:**

SSRs are complex devices which must be interconnected with other equipment (loads, cables,etc.) to form a system. Because the other equipment or the interconnections may not be under the control of celduc, it shall be the responsibility of the system integrator to ensure that systems containing SSRs comply with the requirements of any rules and regulations applicable at the system level. The very low zero cross voltage (<10V) improves the conducted emission level in comparison with most of SSR on the market with zero cross voltage higher than 25V. Consult celduc laboratory which can make some tests in your application.

