

# GOA9xx04C

## THREE PHASE AC-SWITCH

Fuse protection  
Blown fuse indicators with microswitch  
Over temperature switches  
Fan loss detection circuit  
Snubber for SCR's protections  
Compact design

**LINE VOLTAGE UP TO 500V**  
**RMS OUTPUT CURRENT 450A**

### GOA94004C GOA95004C

Line to line voltage	<b>400</b>	<b>500</b>
----------------------	------------	------------

Characteristic		Conditions	Value	Value	
I <sub>RMS</sub>	RMS output current		450 A	450 A	
V <sub>INS (rms)</sub>	Insulation voltage		3000 V	3000 V	

### THYRISTOR TRIGGERING CHARACTERISTICS

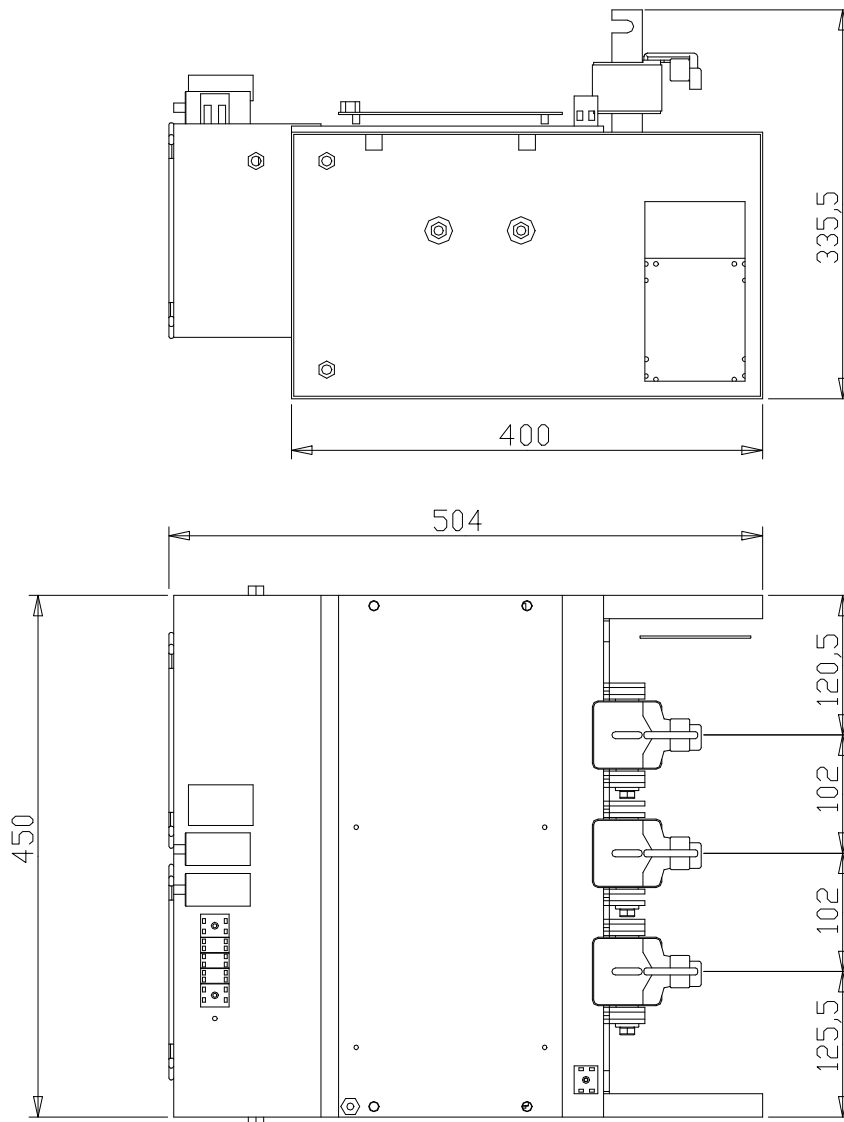
V <sub>GT</sub>	Gate trigger voltage	T <sub>j</sub> = 25 °C, V <sub>D</sub> = 5 V	3 V	3 V	
I <sub>GT</sub>	Gate trigger current	T <sub>j</sub> = 25 °C, V <sub>D</sub> = 5 V	300 mA	300 mA	
dV/dt	Critical rate of rise off-state voltage	T <sub>j</sub> = 125 °C	1000 V/us	1000 V/us	
V <sub>RRM</sub>	Blocking Voltage	T <sub>j</sub> = 125 °C	1200 V	1600 V	

### FUSE TYPE SIBA 2062432.630

V <sub>NF</sub>	Rated voltage		690 V	690 V	
I <sub>NF</sub>	Rated current		630 A	630 A	
P <sub>VF</sub>	Power loss	At rated current	94 W	94 W	
I <sup>2</sup> t	Total I <sup>2</sup> t	At 660V	300 kA2s	300 kA2s	

### MECHANICAL AND THERMAL CHARACTERISTICS

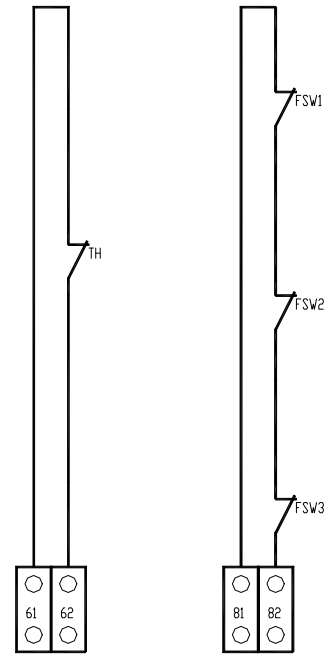
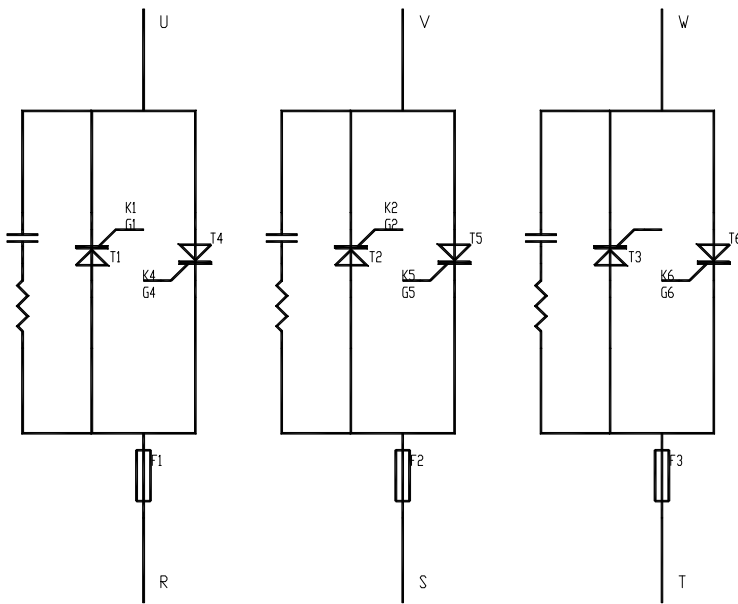
	Width		400 mm	450 mm	
	Depth		340 mm	340,5 mm	
	Height		500 mm	500 mm	
	Mass		30 Kg	30 Kg	
T <sub>a max</sub>	Max amb. op. Temp.		40 °C	40 °C	
T <sub>stg</sub>	Storage temperature		-40/ +60 °C	-40/ +60 °C	



The part numbering system is reported at the beginning of the Open Assembly section.

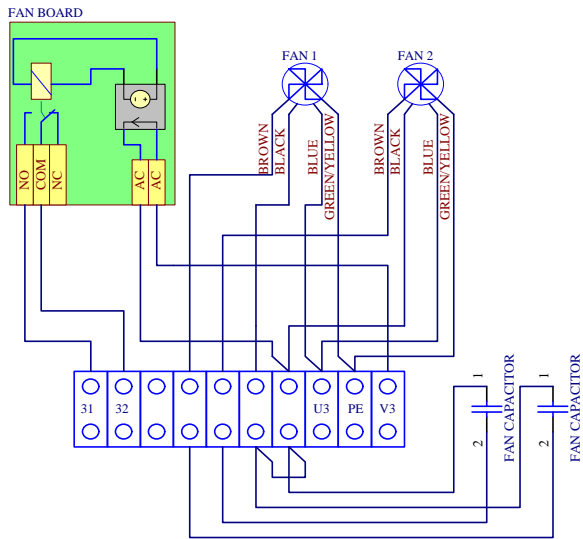
Customisations are available on request. Please contact factory.

In the interest of product improvement Green Power Solutions reserves the right to change any specification given in this data sheet without notice.



TH- THERMOSWITCH  
FSW- BLOWN FUSE SWITCH

61-62- THERMOSWITCH CIRCUIT CONNECTION  
81-82- BLOWN FUSE SWITCH CIRCUIT CONNECTION



U3-V3: MAIN SUPPLY  
PE: GROUND CONNECTION (GND)  
31-32: FAN BOARD CONTACT (CLOSED WHEN FAN RUNNING)

**Cooling:**

- Fan type: single phase axial
- Number of fans: 2
- Voltage: 230 V
- Current: 0.4 A
- Frequency: 50/60 Hz
- Noise: 62 dBA

In the interest of product improvement Green Power Solutions reserves the right to change any specification given in this data sheet without notice.