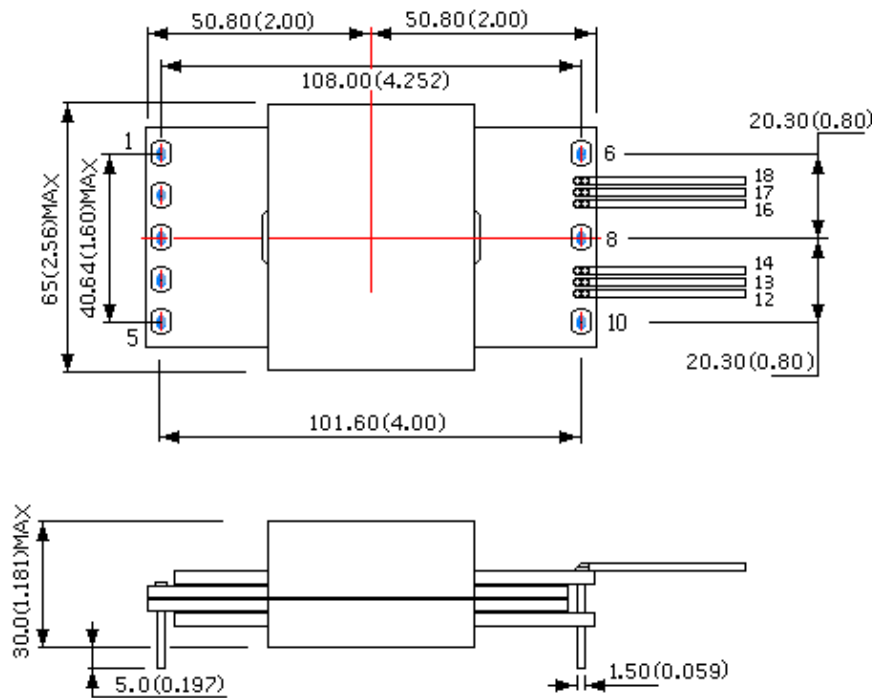
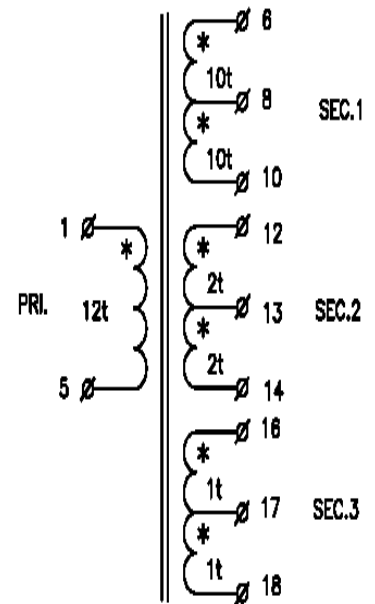




**A. Mechanical dimension:**



**B. Electrical Diagram:**



**C. Electrical specification:**

1. P/N FP3225-01 Rev. Draft
2. Total Output Power: 3325W (200Vdc/15A, 40V/8A, 20V/0.25A)
3. OPERATING frequency: 100KHz.
4. Input Voltage: 300~385V.
5. Topology: Full Bridge.
6. Operating Duty Cycle, maximum 0.807 (2 x 0.4035)
7. Operating Voltage—Second product, 2405 V-μsec.
8. Turn ratio:
  - a. Primary current 12 turns 18.8 Arms max.
  - b. Pri. to Sec. 1: 12: 10 + 10 (10.6 Arms max.)
  - c. Pri. to Sec. 2: 12: 2 + 2 (5.7 Arms max.)
  - d. Pri. to Sec. 3: 12: 1 + 1 (0.25 Arms max.)
9. Dielectric Strength:
  - a. Pri. to Sec. : 3750 V rms.
  - b. Pri. to Core: 2500 V rms.
  - c. Sec to Core: 500 V rms.
10. Dimension: L=110mm x W= 65mm x H=31mm.

Note: **RoHS** compliant; for the **ROHS** parts, we add “-LFR” at the end of the P/N.