



1.0 pC Charge Injection, 100 pA Leakage, 4-Channel Multiplexer

DESCRIPTION

The DG604 is an analog 4-channel CMOS, multiplexer, designed to operate from a + 2.7 V to + 12 V single supply or from ± 2.7 V to ± 5.0 V, dual supplies. The DG604 is fully specified at + 3 V, + 5 V and ± 5 V. All control logic inputs have guaranteed 2 V logic high limits when operating from + 5 V or ± 5 V supplies and 1.4 V when operating from a 3 V supply.

The DG604 switches conduct equally well in both directions and offer rail to rail analog signal handling. < 1 pC low charge injection, coupled with very low switch capacitance and leakage current makes this product ideal for use in precision instrumentation applications. Operating temperature range is specified from - 40 °C to + 125 °C. The DG604 is available in 14 lead TSSOP and the space saving 1.8 x 2.6 mm miniQFN package.

FEATURES

- Ultra low charge injection (± 1.0 pC, typ. over the full analog signal range)
- Leakage current < 0.5 nA max. at 85 °C
- Low switch capacitance (C_{soff} , 3 pF typ.)
- Low $r_{\text{DS(on)}}$ - 115 Ω max.
- Fully specified with single supply operation at 3.0 V, 5.0 V and dual supplies at ± 5.0 V
- Low voltage, 2.5 V CMOS/TTL compatible
- 400 MHz, - 3 dB bandwidth
- Excellent isolation and crosstalk performance (typ. > - 60 dB at 10 MHz)
- Fully specified from - 40 °C to 85 °C and - 40 °C to + 125 °C
- 14 Pin TSSOP and 16 Pin miniQFN package (1.8 x 2.6 mm)

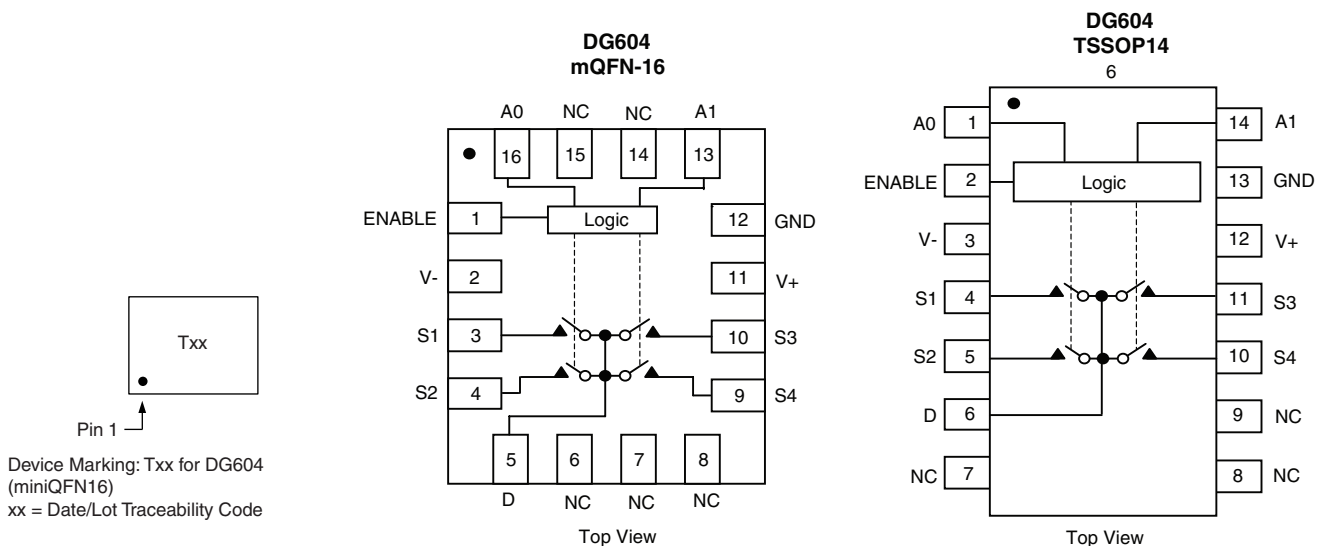


RoHS COMPLIANT

APPLICATIONS

- High-end data acquisition
- Medical instruments
- Precision instruments
- High speed communications applications
- Automated test equipment
- Sample and hold applications

FUNCTIONAL BLOCK DIAGRAM AND PIN CONFIGURATION





TRUTH TABLE			
Enable Input	Selected Input		On Switches
	A1	A0	DG604
L	X	X	All Switches Open
H	L	L	D to S1
H	L	H	D to S2
H	H	L	D to S3
H	H	H	D to S4

ORDERING INFORMATION		
Temp. Range	Package	Part Number
- 40 °C to 125 °C ^a	14-Pin TSSOP	DG604EQ-T1-E3
	16-Pin miniQFN	DG604EN-T1-E4

Notes:

a. - 40 to 85 °C datasheet limits apply.

ABSOLUTE MAXIMUM RATINGS $T_A = 25\text{ °C}$, unless otherwise noted			
Parameter		Limit	Unit
V+ to V-		14	V
GND to V-		7	
Digital Inputs ^a , V _S , V _D		(V-) - 0.3 to (V+) + 0.3 or 30 mA, whichever occurs first	
Continuous Current (Any Terminal)		30	mA
Peak Current, S or D (Pulsed 1 ms, 10 % Duty Cycle)		100	
Storage Temperature		- 65 to 150	°C
Power Dissipation (Package) ^b	14-Pin TSSOP ^c	450	mW
	16-Pin miniQFN ^{d, e}	525	
Thermal Resistance (Package) ^b	14-Pin TSSOP	178	C/W
	16-Pin miniQFN	152	

Notes:

a. Signals on SX, DX, or INX exceeding V+ or V- will be clamped by internal diodes. Limit forward diode current to maximum current ratings.

b. All leads welded or soldered to PC Board.

c. Derate 5.6 mW/°C above 70 °C.

d. Derate 6.6 mW/°C above 70 °C.

e. Manual soldering with iron is not recommended for leadless components. The miniQFN-16 is a leadless package. The end of the lead terminal is exposed copper (not plated) as a result of the singulation process in manufacturing. A solder fillet at the exposed copper lip cannot be guaranteed and is not required to ensure adequate bottom side solder interconnection.



SPECIFICATIONS FOR DUAL SUPPLIES									
Parameter	Symbol	Test Conditions Unless Otherwise Specified V+ = 5 V, V- = - 5 V VIN A0, A1 and ENABLE = 2.0 V, 0.8 V ^a	Temp. ^b	Typ. ^c	- 40 to 125 °C		- 40 to 85 °C		Unit
					Min. ^d	Max. ^d	Min. ^d	Max. ^d	
Analog Switch									
Analog Signal Range ^e	V _{ANALOG}		Full		- 5	5	- 5	5	V
On-Resistance	r _{DS(on)}	I _S = 1 mA, V _D = - 3 V, 0 V, + 3 V	Room Full	70		115 160		115 140	Ω
On-Resistance Match	Δr _{ON}	I _S = 1 mA, V _D = ± 3 V	Room Full	1		5 6.5		5 6.5	
On-Resistance Flatness	r _{FLATNESS}	I _S = 1 mA, V _D = - 3 V, 0 V, + 3 V	Room Full	10		20 33		20 22	
Switch Off Leakage Current	I _{S(off)}	V+ = 5.5 V, V- = - 5.5 V V _D = ± 4.5 V, V _S = ∓ 4.5 V	Room Full	± 0.01	- 0.1 - 18	0.1 18	- 0.1 - 0.5	0.1 0.5	nA
	I _{D(off)}		Room Full	± 0.01	- 0.1 - 18	0.1 18	- 0.1 - 0.5	0.1 0.5	
Channel On Leakage Current	I _{D(on)}	V+ = 5.5 V, V- = - 5.5 V, V _S = V _D = ± 4.5 V	Room Full	± 0.01	- 0.1 - 18	0.1 18	- 0.1 - 0.5	0.1 0.5	
Digital Control									
Input Current, V _{IN} Low	I _{IL}	V _{IN} A0, A1 and ENABLE Under Test = 0.8 V	Full	0.005	- 0.1	0.1	- 0.1	0.1	μA
Input Current, V _{IN} High	I _{IH}	V _{IN} A0, A1 and ENABLE Under Test = 2.0 V	Full	0.005	- 0.1	0.1	- 0.1	0.1	
Input Capacitance ^e	C _{IN}	f = 1 MHz	Room	3.4					pF
Dynamic Characteristics									
Transition Time	t _{TRANS}	V _{S(CLOSE)} = 3 V, V _{S(OPEN)} = 0.0 V, R _L = 300 Ω, C _L = 35 pF	Room Full	20		70 105		70 80	ns
Turn-On Time	t _{ON}	R _L = 300 Ω, C _L = 35 pF V _S = ± 3 V	Room Full	16		60 90		60 65	
Turn-Off Time	t _{OFF}		Room Full	15		52 76		52 56	
Break-Before-Make Time Delay	t _D	V _S = 3 V R _L = 300 Ω, C _L = 35 pF	Room Full	15	10		10		
Charge Injection ^e	Q	V _g = 0 V, R _g = 0 Ω, C _L = 1 nF	Room	0.7					pC
Off Isolation ^e	OIRR	R _L = 50 Ω, C _L = 5 pF, f = 10 MHz	Room	- 72					dB
Bandwidth ^e	BW	R _L = 50 Ω	Room	400					MHz
Channel-to-Channel Crosstalk ^e	X _{TALK}	R _L = 50 Ω, C _L = 5 pF, f = 10 MHz	Room	- 81					dB
Source Off Capacitance ^e	C _{S(off)}	f = 1 MHz	Room	2.7					pF
Drain Off Capacitance ^e	C _{D(off)}		Room	7.3					
Channel On Capacitance ^e	C _{D(on)}		Room	13.8					
Total Harmonic Distortion ^e	THD	Signal = 1 V _{RMS} , 20 Hz to 20 kHz, R _L = 600 Ω	Room	0.01					%
Power Supplies									
Power Supply Current	I+	V _{IN} = 0 V, or V+	Room Full	0.001		0.5 1		0.5 1	μA
Negative Supply Current	I-		Room Full	- 0.001	- 0.5 - 1		- 0.5 - 1		
Ground Current	I _{GND}		Room Full	- 0.001	- 0.5 - 1		- 0.5 - 1		



SPECIFICATIONS FOR SINGLE SUPPLY									
Parameter	Symbol	Test Conditions Unless Otherwise Specified $V_+ = 5\text{ V}$, $V_- = 0\text{ V}$ $V_{IN\ A0, A1}$ and $ENABLE = 2.0\text{ V}$, 0.8 V^a	Temp. ^b	Typ. ^c	- 40 to 125 °C		- 40 to 85 °C		Unit
					Min. ^d	Max. ^d	Min. ^d	Max. ^d	
Analog Switch									
Analog Signal Range ^e	V_{ANALOG}		Full			5		5	V
On-Resistance	$r_{DS(on)}$	$I_S = 1\text{ mA}$, $V_D = +3.5\text{ V}$	Room Full	120		170 250		170 200	Ω
On-Resistance Match	Δr_{ON}	$I_S = 1\text{ mA}$, $V_D = +3.5\text{ V}$	Room Full	3		5 12		5 10	
Switch Off Leakage Current	$I_{S(off)}$	$V_+ = 5.5\text{ V}$, $V_- = 0\text{ V}$ $V_D = 1\text{ V}/4.5\text{ V}$, $V_S = 4.5\text{ V}/1\text{ V}$	Room Full	± 0.01	- 0.1 - 18	0.1 18	- 0.1 - 0.5	0.1 0.5	nA
	$I_{D(off)}$		Room Full	± 0.01	- 0.1 - 18	0.1 18	- 0.1 - 0.5	0.1 0.5	
Channel On Leakage Current	$I_{D(on)}$	$V_+ = 5.5\text{ V}$, $V_- = 0\text{ V}$ $V_S = V_D = 1\text{ V}/4.5\text{ V}$	Room Full	± 0.01	- 0.1 - 18	0.1 18	- 0.1 - 0.5	0.1 0.5	
Digital Control									
Input Current, V_{IN} Low	I_L	$V_{IN\ A0, A1}$ and $ENABLE$ Under Test = 0.8 V	Full	0.005	- 0.1	0.1	- 0.1	0.1	μA
Input Current, V_{IN} High	I_H	$V_{IN\ A0, A1}$ and $ENABLE$ Under Test = 2.0 V	Full	0.005	- 0.1	0.1	- 0.1	0.1	
Input Capacitance	C_{IN}	$f = 1\text{ MHz}$	Room	4.3					pF
Dynamic Characteristics									
Transition Time	t_{TRANS}	$V_{S(CLOSE)} = 3\text{ V}$, $V_{S(OPEN)} = 0.0\text{ V}$, $R_L = 300\ \Omega$, $C_L = 35\text{ pF}$	Room Full	36		75 120		75 95	ns
Enable Turn-On Time	$t_{ON(EN)}$		Room Full	30		70 102		70 80	
Enable Turn-Off Time	$t_{OFF(EN)}$		Room Full	17		47 88		47 63	
Break-Before-Make-Time	t_{BMM}		Room Full	23	5		5		
Charge Injection	Q	$C_L = 1\text{ nF}$, $R_{GEN} = 0\ \Omega$, $V_{GEN} = 0\text{ V}$	Full	0.15					pC
Off-Isolation ^e	OIRR	$f = 10\text{ MHz}$, $R_L = 50\ \Omega$, $C_L = 5\text{ pF}$	Room	- 58					dB
Crosstalk ^e	X_{TALK}		Room	- 81					
Bandwidth ^e	BW	$R_L = 50\ \Omega$	Room	330					MHz
Total Harmonic Distortion	THD	Signal = 1 V_{RMS} , 20 Hz to 20 kHz, $R_L = 600\ \Omega$	Room	0.009					%
Source Off Capacitance ^e	$C_{S(off)}$	$f = 1\text{ MHz}$	Room	3.1					pF
Drain Off Capacitance ^e	$C_{D(off)}$			11.6					
Channel On Capacitance ^e	$C_{D(on)}$			16.2					
Power Supplies									
Power Supply Current	I_+	$V_{IN} = 0\text{ V}$, or V_+	Room Full	0.001		0.5 1		0.5 1	μA
Negative Supply Current	I_-		Room Full	- 0.001	- 0.5 - 1		- 0.5 - 1		
Ground Current	I_{GND}		Room Full	- 0.001	- 0.5 - 1		- 0.5 - 1		

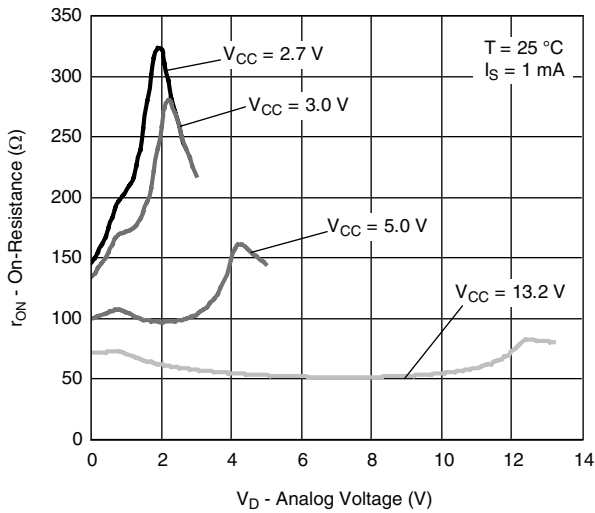


SPECIFICATIONS FOR SINGLE SUPPLY									
Parameter	Symbol	Test Conditions Unless Otherwise Specified V ₊ = 3 V, V ₋ = 0 V V _{IN A0, A1} and ENABLE = 1.4 V, 0.6 V ^a	Temp. ^b	Typ. ^c	- 40 to + 125 °C		- 40 to + 85 °C		Unit
					Min. ^d	Max. ^d	Min. ^d	Max. ^d	
Analog Switch									
Analog Signal Range ^e	V _{ANALOG}		Full			3		3	V
On-Resistance	r _{DS(ON)}	I _S = 1 mA, V _D = + 1.5 V	Room Full	200		245 325		245 290	Ω
On-Resistance Match	Δr _{ON}	I _S = 1 mA, V _D = + 1.5 V	Room Full	5		6 13		11 6	
Switch Off Leakage Current	I _{S(off)}	V ₊ = 3.0 V, V ₋ = 0 V V _D = 1 V/3.0 V, V _S = 3.0 V/1 V	Room Full	± 0.01	- 0.1 - 18	0.1 18	- 0.1 - 0.5	0.1 0.5	nA
	I _{D(off)}		Room Full	± 0.01	- 0.1 - 18	0.1 18	- 0.1 - 0.5	0.1 0.5	
Channel On Leakage Current	I _{D(on)}	V ₊ = 3.0 V, V ₋ = 0 V V _S = V _D = 1 V/3.0 V	Room Full	± 0.01	- 0.1 - 18	0.1 18	- 0.1 - 0.5	0.1 0.5	
Digital Control									
Input Current, V _{IN} Low	I _L	V _{IN A0, A1} and ENABLE Under Test = 0.6 V	Full	0.005	- 1	1	- 1	1	μA
Input Current, V _{IN} High	I _H	V _{IN A0, A1} and ENABLE Under Test = 1.4 V	Full	0.005	- 1	1	- 1	1	
Input Capacitance	C _{IN}	f = 1 MHz	Room	4.3					pF
Dynamic Characteristics									
Transition Time	t _{TRANS}	V _{S(CLOSE)} = 3.0 V, V _{S(OPEN)} = 0.0 V, R _L = 300 Ω, C _L = 35 pF	Room Full	95		130 190		130 160	ns
Enable Turn-On Time	t _{ON(EN)}		Room Full	77		108 161		108 131	
Enable Turn-Off Time	t _{OFF(EN)}		Room Full	35		76 112		76 88	
Break-Before-Make-Time	t _{BMM}		Room Full	45	5		5		
Charge Injection	Q	C _L = 1 nF, R _{GEN} = 0 Ω, V _{GEN} = 0 V	Full	0.1					pC
Off-Isolation ^e	OIRR	f = 10 MHz, R _L = 50 Ω, C _L = 5 pF	Room	- 58					dB
Crosstalk ^e	X _{TALK}		Room	- 90					
Bandwidth ^e	BW	R _L = 50 Ω	Room	290					MHz
Total Harmonic Distortion	THD	Signal = 1 V _{RMS} , 20 Hz to 20 kHz, R _L = 600 Ω	Room	0.09					%
Source Off Capacitance ^e	C _{S(off)}	f = 1 MHz	Room	3.1					pF
Drain Off Capacitance ^e	C _{D(off)}			11.7					
Channel On Capacitance ^e	C _{D(on)}			16.5					
Power Supplies									
Power Supply Current	I ₊	V _{IN} = 0 V, or V ₊	Room Full	0.001		0.5 1		0.5 1	μA
Negative Supply Current	I ₋		Room Full	- 0.001	- 0.5 - 1		- 0.5 - 1		
Ground Current	I _{GND}		Room Full	- 0.001	- 0.5 - 1		- 0.5 - 1		

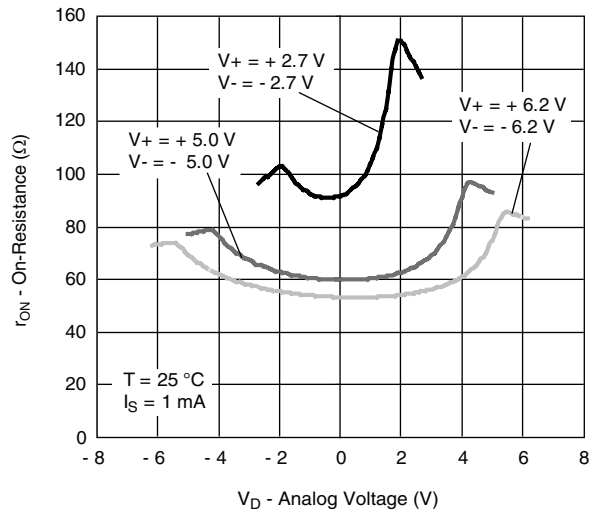
Stresses beyond those listed under "Absolute Maximum Ratings" may cause permanent damage to the device. These are stress ratings only, and functional operation of the device at these or any other conditions beyond those indicated in the operational sections of the specifications is not implied. Exposure to absolute maximum rating conditions for extended periods may affect device reliability.



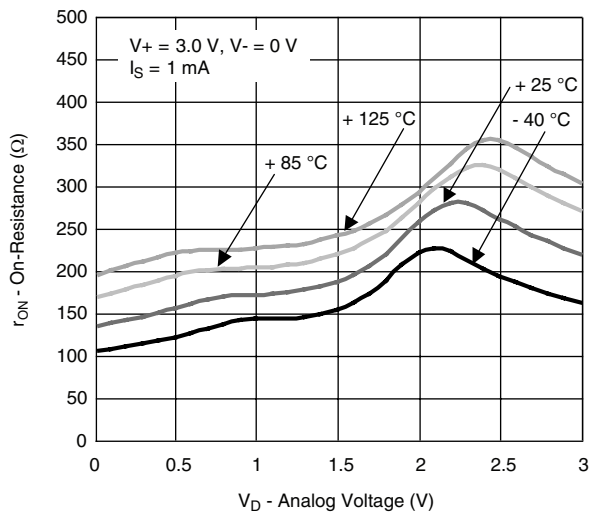
TYPICAL CHARACTERISTICS 25 °C



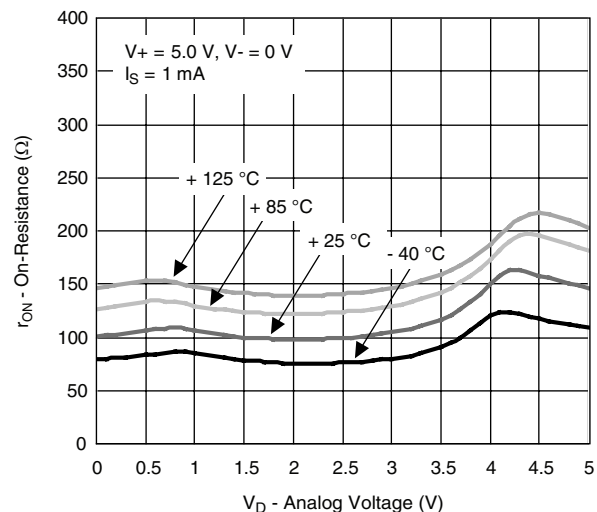
On-Resistance vs. V_D (Single Supply Voltage)



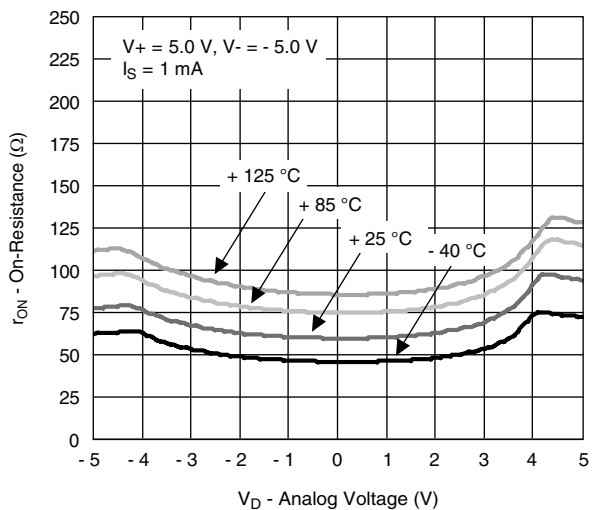
On-Resistance vs. V_D (Dual Supply Voltage)



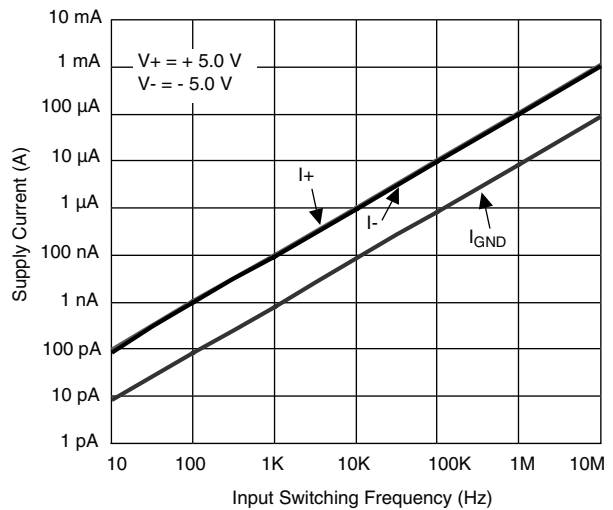
On-Resistance vs. Analog Voltage and Temperature



On-Resistance vs. Analog Voltage and Temperature



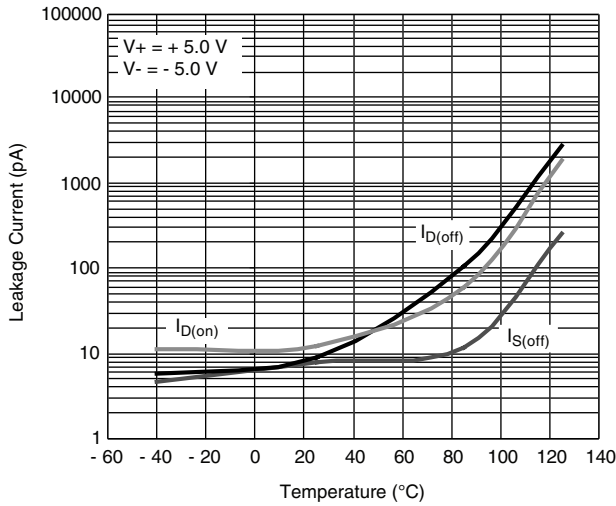
On-Resistance vs. Analog Voltage and Temperature



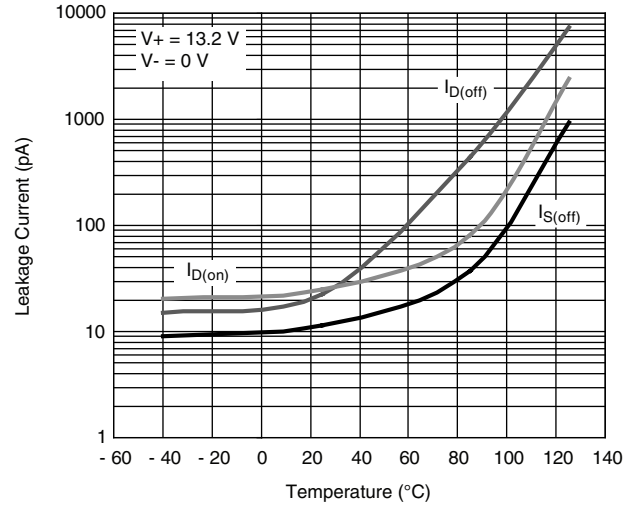
Supply Current vs. Input Switching Frequency



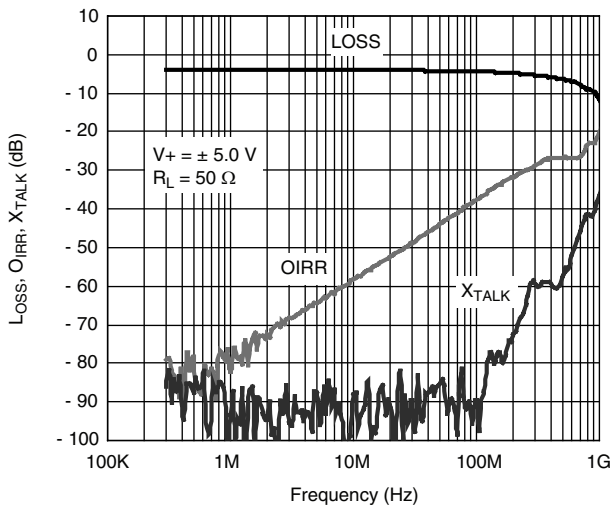
TYPICAL CHARACTERISTICS 25 °C



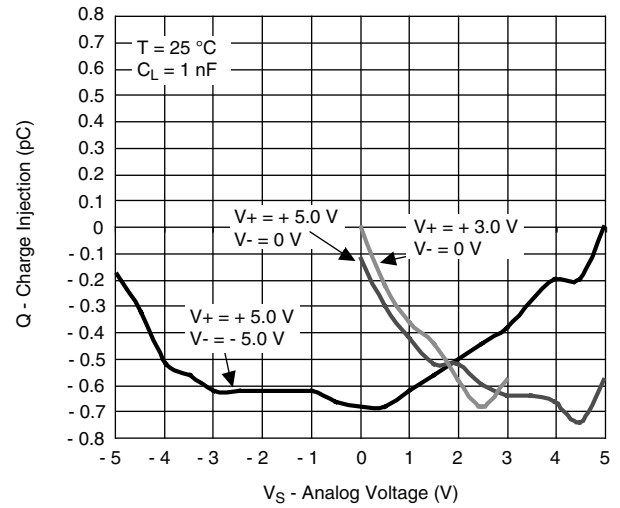
Leakage Current vs. Temperature



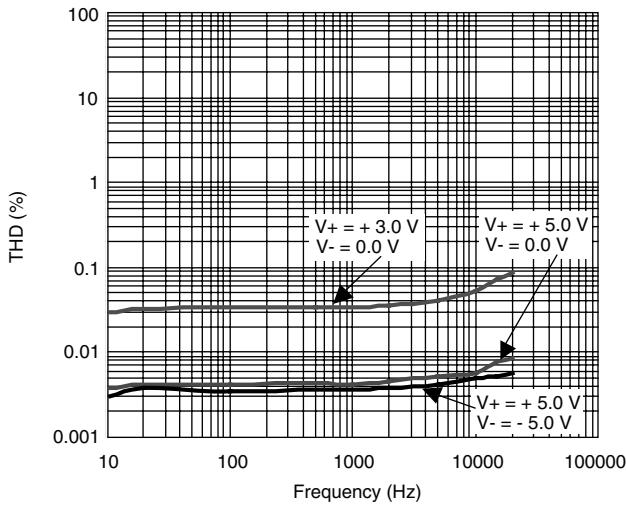
Leakage Current vs. Temperature



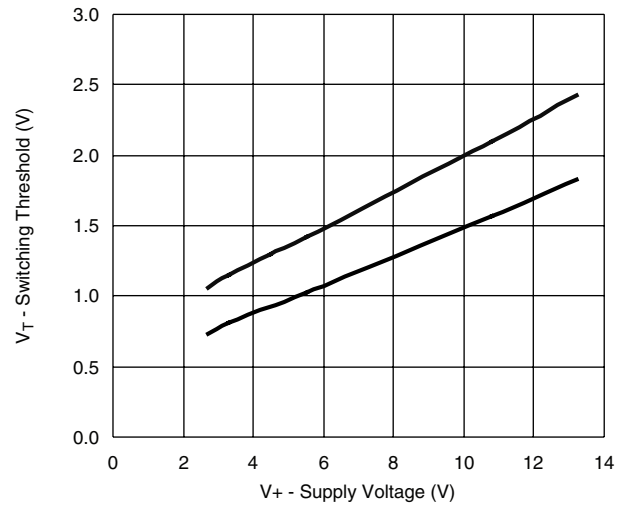
Insertion Loss, Off-Isolation, Crosstalk vs. Frequency



Charge Injection vs. Analog Voltage



Total Harmonic Distortion vs. Frequency



Switching Threshold vs. Supply Voltage

TEST CIRCUITS

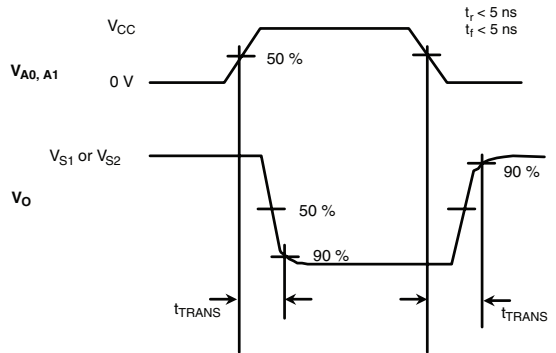
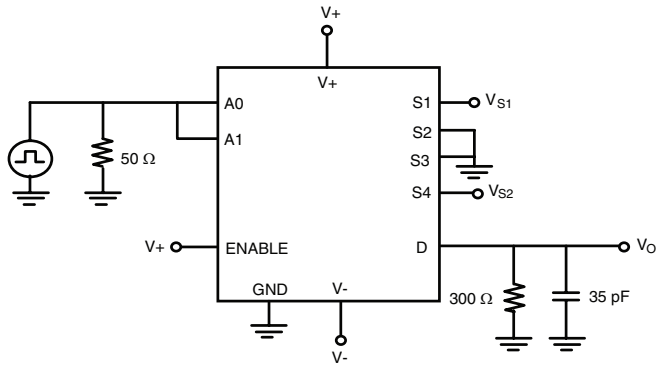


Figure 1. Transition Time

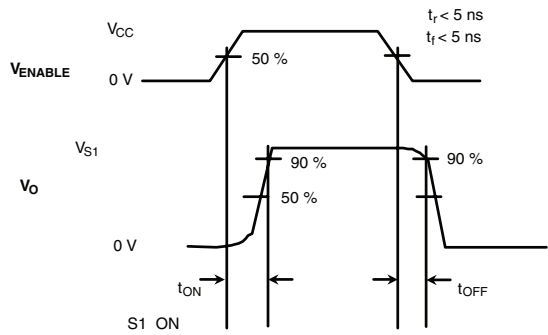
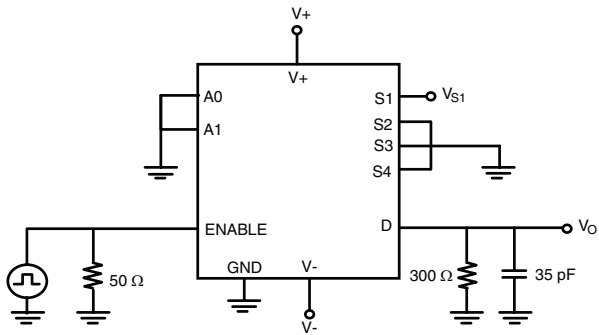


Figure 2. Enable Switching Time

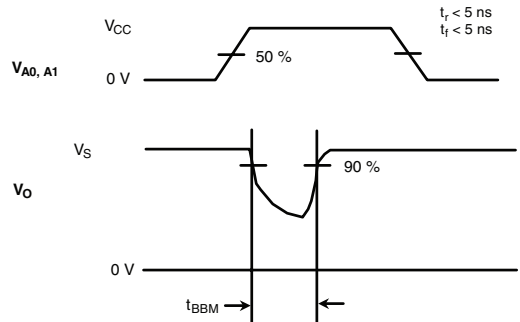
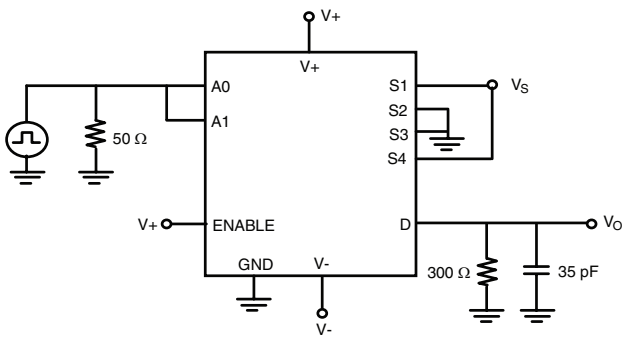


Figure 3. Break-Before-Make

TEST CIRCUITS

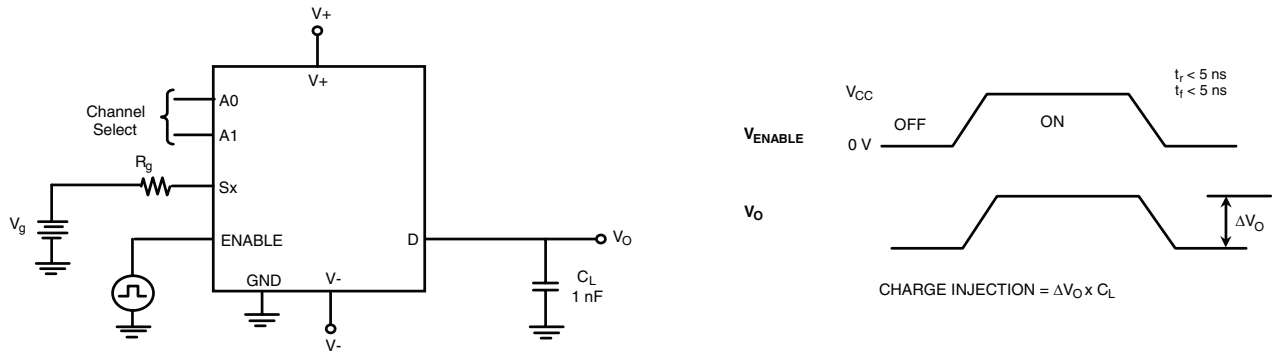


Figure 4. Charge Injection

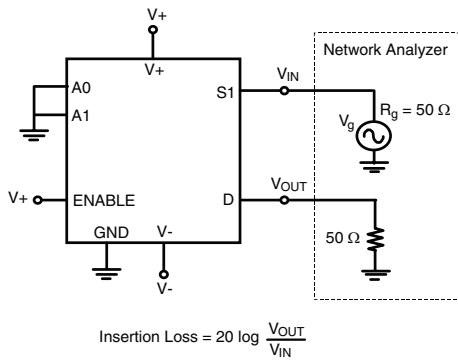


Figure 5. Insertion Loss

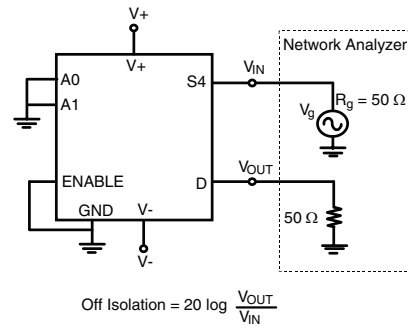


Figure 6. Off-Isolation

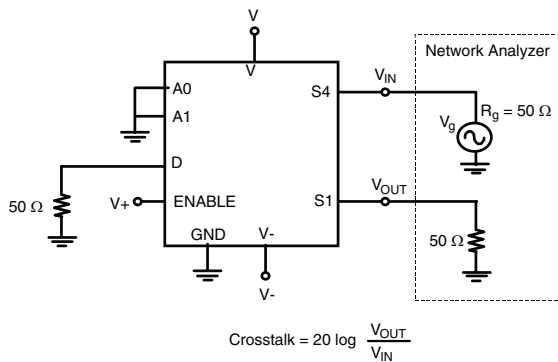


Figure 7. Crosstalk

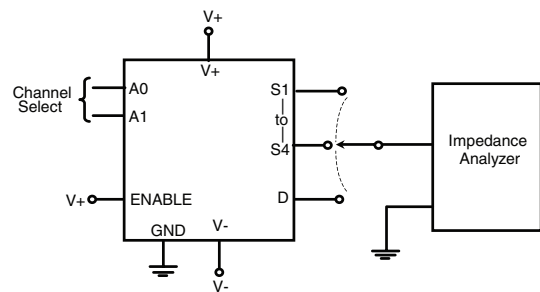


Figure 8. Source/Drain Capacitance

Vishay Siliconix maintains worldwide manufacturing capability. Products may be manufactured at one of several qualified locations. Reliability data for Silicon Technology and Package Reliability represent a composite of all qualified locations. For related documents such as package/tape drawings, part marking, and reliability data, see <http://www.vishay.com/ppg?69934>.



Disclaimer

All product specifications and data are subject to change without notice.

Vishay Intertechnology, Inc., its affiliates, agents, and employees, and all persons acting on its or their behalf (collectively, "Vishay"), disclaim any and all liability for any errors, inaccuracies or incompleteness contained herein or in any other disclosure relating to any product.

Vishay disclaims any and all liability arising out of the use or application of any product described herein or of any information provided herein to the maximum extent permitted by law. The product specifications do not expand or otherwise modify Vishay's terms and conditions of purchase, including but not limited to the warranty expressed therein, which apply to these products.

No license, express or implied, by estoppel or otherwise, to any intellectual property rights is granted by this document or by any conduct of Vishay.

The products shown herein are not designed for use in medical, life-saving, or life-sustaining applications unless otherwise expressly indicated. Customers using or selling Vishay products not expressly indicated for use in such applications do so entirely at their own risk and agree to fully indemnify Vishay for any damages arising or resulting from such use or sale. Please contact authorized Vishay personnel to obtain written terms and conditions regarding products designed for such applications.

Product names and markings noted herein may be trademarks of their respective owners.