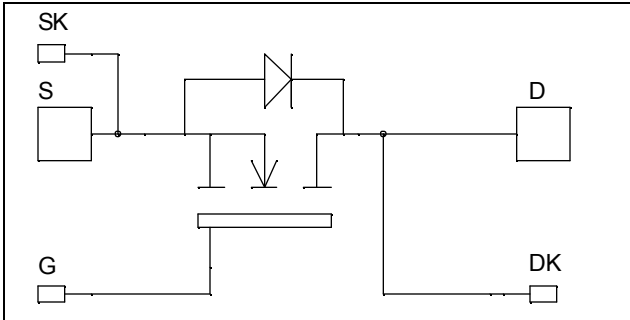


**Single Switch  
MOSFET Power Module**

**$V_{DSS} = 1200V$   
 $R_{DSon} = 95m\Omega \text{ max @ } T_j = 25^\circ C$   
 $I_D = 103A \text{ @ } T_c = 25^\circ C$**

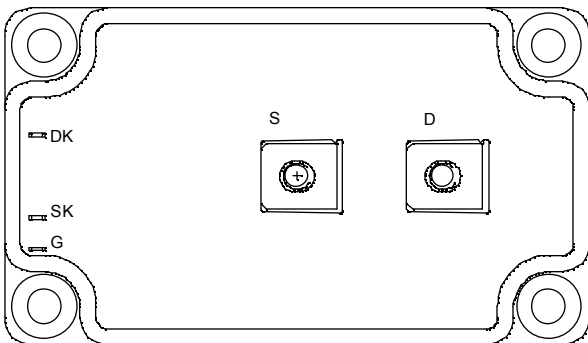


**Application**

- Welding converters
- Switched Mode Power Supplies
- Uninterruptible Power Supplies
- Motor control

**Features**

- Power MOS 7® FREDFETs
  - Low  $R_{DSon}$
  - Low input and Miller capacitance
  - Low gate charge
  - Fast intrinsic reverse diode
  - Avalanche energy rated
  - Very rugged
- Kelvin source for easy drive
- Very low stray inductance
  - Symmetrical design
  - M5 power connectors
- High level of integration
- AlN substrate for improved thermal performance



**Benefits**

- Outstanding performance at high frequency operation
- Direct mounting to heatsink (isolated package)
- Low junction to case thermal resistance
- Low profile

**Absolute maximum ratings**

Symbol	Parameter	Max ratings	Unit
$V_{DSS}$	Drain - Source Breakdown Voltage	1200	V
$I_D$	Continuous Drain Current	$T_c = 25^\circ C$	103
		$T_c = 80^\circ C$	77
$I_{DM}$	Pulsed Drain current	412	A
$V_{GS}$	Gate - Source Voltage	$\pm 30$	V
$R_{DSon}$	Drain - Source ON Resistance	95	m $\Omega$
$P_D$	Maximum Power Dissipation	$T_c = 25^\circ C$	2272
$I_{AR}$	Avalanche current (repetitive and non repetitive)	25	A
$E_{AR}$	Repetitive Avalanche Energy	50	mJ
$E_{AS}$	Single Pulse Avalanche Energy	3000	

**CAUTION:** These Devices are sensitive to Electrostatic Discharge. Proper Handling Procedures Should Be Followed.

All ratings @  $T_j = 25^\circ\text{C}$  unless otherwise specified

## Electrical Characteristics

Symbol	Characteristic	Test Conditions	Min	Typ	Max	Unit
$BV_{DSS}$	Drain - Source Breakdown Voltage	$V_{GS} = 0V, I_D = 2mA$	1200			V
$I_{DSS}$	Zero Gate Voltage Drain Current	$V_{GS} = 0V, V_{DS} = 1200V$			0.6	mA
		$V_{GS} = 0V, V_{DS} = 1000V$			3	
$R_{DS(on)}$	Drain - Source on Resistance	$V_{GS} = 10V, I_D = 51.5A$			95	m $\Omega$
$V_{GS(th)}$	Gate Threshold Voltage	$V_{GS} = V_{DS}, I_D = 15mA$	3		5	V
$I_{GSS}$	Gate - Source Leakage Current	$V_{GS} = \pm 30V, V_{DS} = 0V$			$\pm 500$	nA

## Dynamic Characteristics

Symbol	Characteristic	Test Conditions	Min	Typ	Max	Unit
$C_{iss}$	Input Capacitance	$V_{GS} = 0V$ $V_{DS} = 25V$ $f = 1MHz$		30.9		nF
$C_{oss}$	Output Capacitance			4.6		
$C_{rss}$	Reverse Transfer Capacitance			0.78		
$Q_g$	Total gate Charge	$V_{GS} = 10V$ $V_{Bus} = 600V$ $I_D = 103A$		1122		nC
$Q_{gs}$	Gate - Source Charge			144		
$Q_{gd}$	Gate - Drain Charge			720		
$T_{d(on)}$	Turn-on Delay Time	<b>Inductive switching @ 125°C</b> $V_{GS} = 15V$ $V_{Bus} = 800V$ $I_D = 103A$ $R_G = 0.8\Omega$		20		ns
$T_r$	Rise Time			15		
$T_{d(off)}$	Turn-off Delay Time			160		
$T_f$	Fall Time			45		
$E_{on}$	Turn-on Switching Energy ①	<b>Inductive switching @ 25°C</b> $V_{GS} = 15V, V_{Bus} = 800V$ $I_D = 103A, R_G = 0.8\Omega$		5.9		mJ
$E_{off}$	Turn-off Switching Energy ②			4.1		
$E_{on}$	Turn-on Switching Energy ①	<b>Inductive switching @ 125°C</b> $V_{GS} = 15V, V_{Bus} = 800V$ $I_D = 103A, R_G = 0.8\Omega$		9.4		mJ
$E_{off}$	Turn-off Switching Energy ②			5.14		

## Source - Drain diode ratings and characteristics

Symbol	Characteristic	Test Conditions	Min	Typ	Max	Unit	
$I_S$	Continuous Source current (Body diode)	$T_c = 25^\circ\text{C}$			103	A	
		$T_c = 80^\circ\text{C}$			77		
$V_{SD}$	Diode Forward Voltage	$V_{GS} = 0V, I_S = -103A$			1.3	V	
$dv/dt$	Peak Diode Recovery ③				18	V/ns	
$t_{rr}$	Reverse Recovery Time	$I_S = -103A$ $V_R = 600V$ $di_S/dt = 600A/\mu s$	$T_j = 25^\circ\text{C}$			320	ns
			$T_j = 125^\circ\text{C}$			650	
$Q_{rr}$	Reverse Recovery Charge	$I_S = -103A$ $V_R = 600V$ $di_S/dt = 600A/\mu s$	$T_j = 25^\circ\text{C}$		12	$\mu\text{C}$	
			$T_j = 125^\circ\text{C}$		42		

①  $E_{on}$  includes diode reverse recovery.

② In accordance with JEDEC standard JESD24-1.

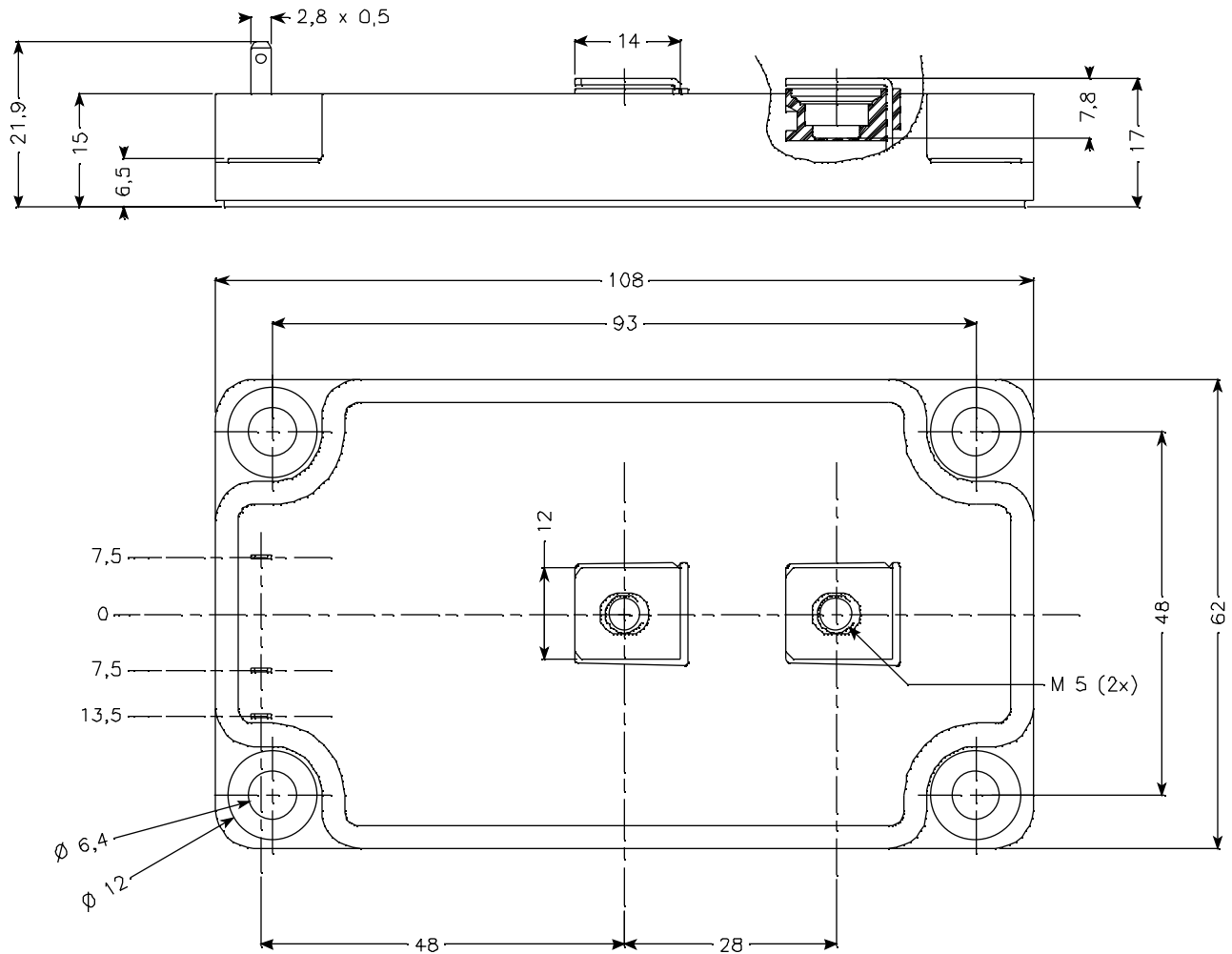
③  $dv/dt$  numbers reflect the limitations of the circuit rather than the device itself.

$$I_S \leq -103A \quad di/dt \leq 700A/\mu s \quad V_R \leq V_{DSS} \quad T_j \leq 150^\circ\text{C}$$

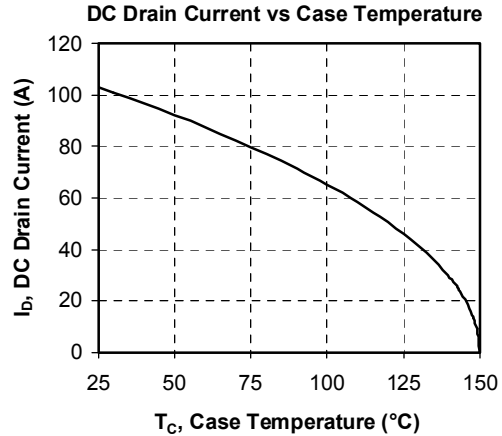
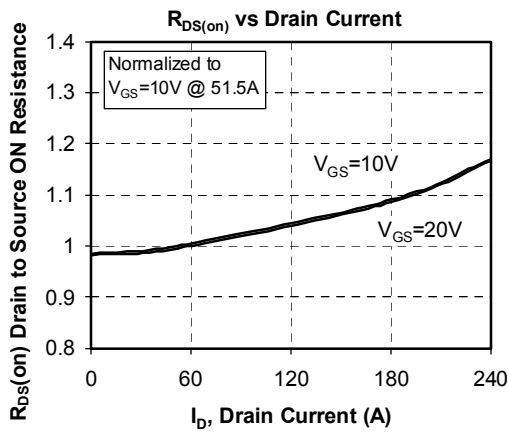
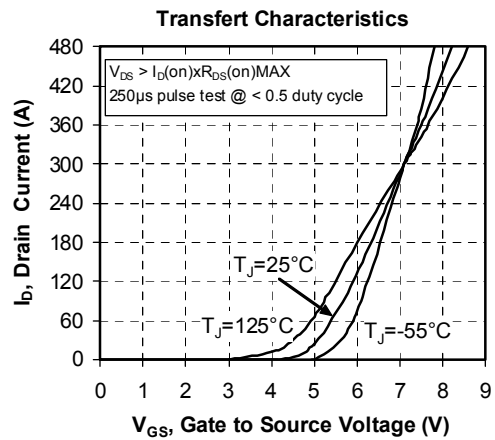
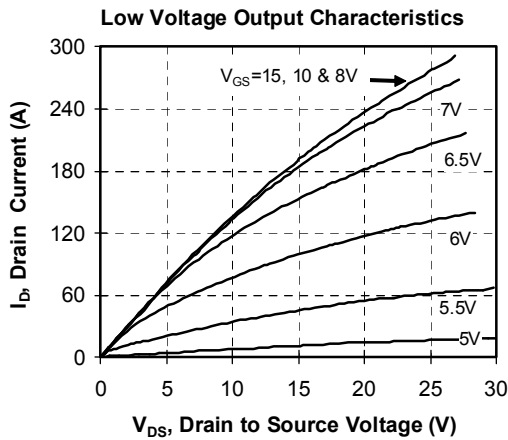
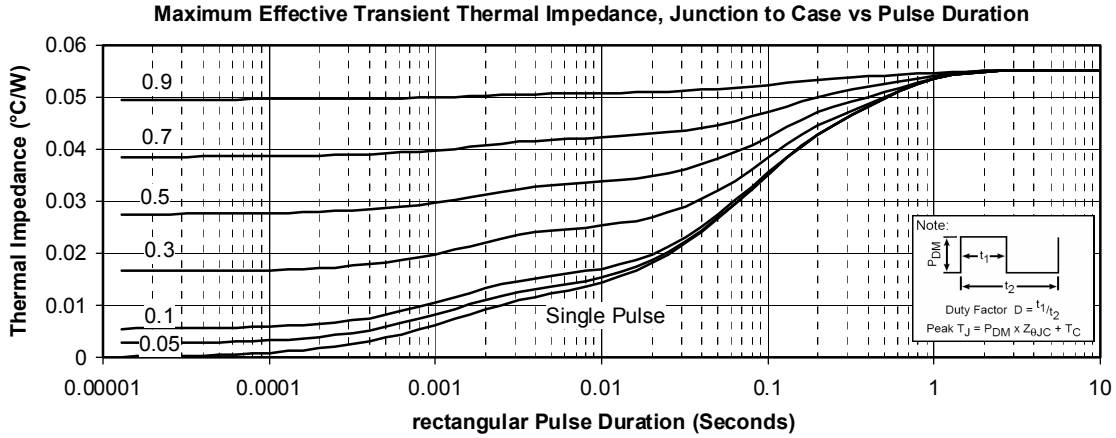
**Thermal and package characteristics**

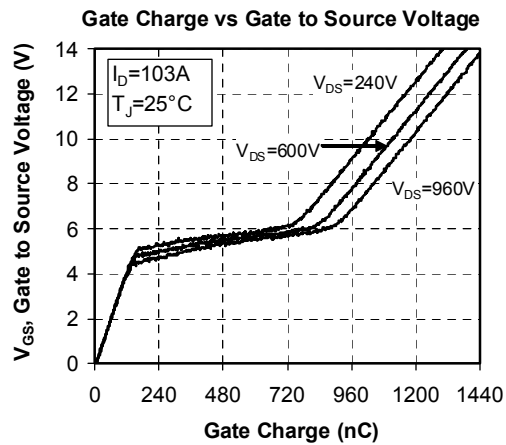
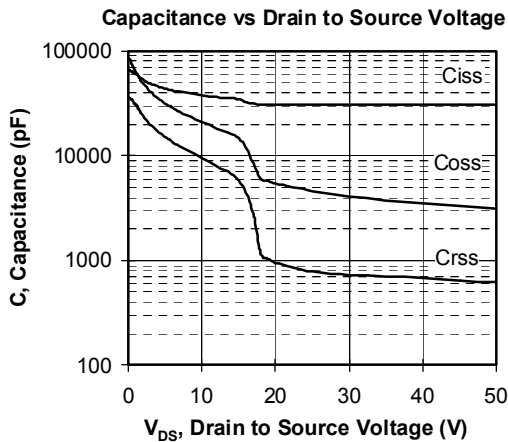
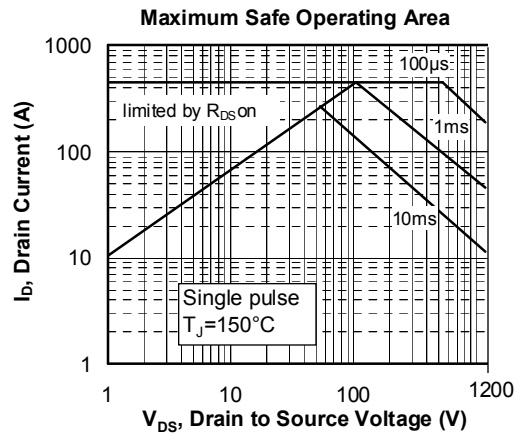
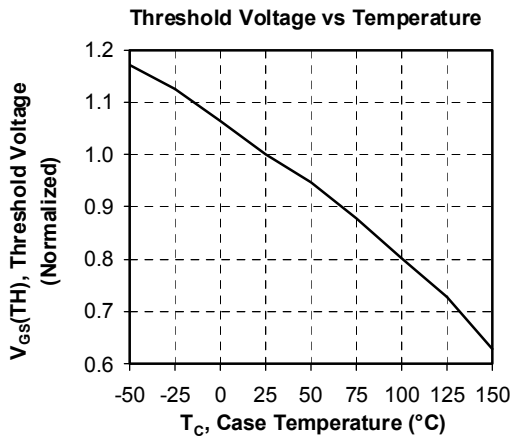
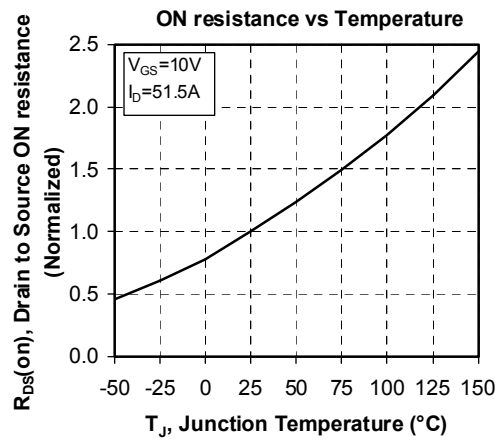
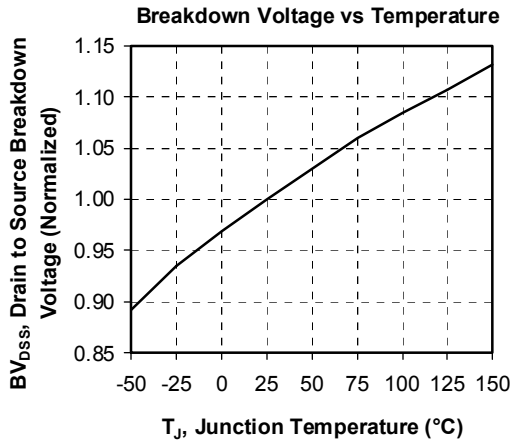
Symbol	Characteristic	Min	Typ	Max	Unit	
R <sub>thJC</sub>	Junction to Case			0.055	°C/W	
V <sub>ISOL</sub>	RMS Isolation Voltage, any terminal to case t = 1 min, I <sub>isol</sub> < 1mA, 50/60Hz	2500			V	
T <sub>J</sub>	Operating junction temperature range	-40		150	°C	
T <sub>STG</sub>	Storage Temperature Range	-40		125		
T <sub>C</sub>	Operating Case Temperature	-40		100		
Torque	Mounting torque	To heatsink	M6	3	5	N.m
		For terminals	M5	2	3.5	
Wt	Package Weight			280	g	

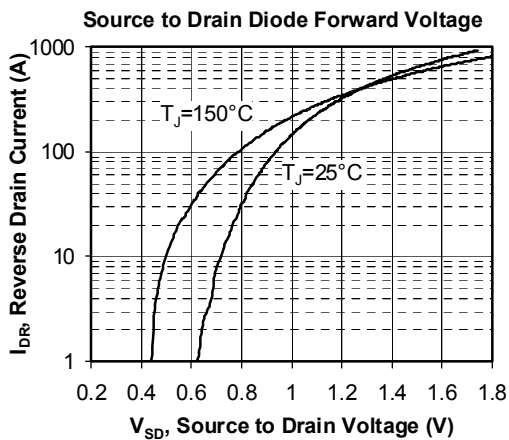
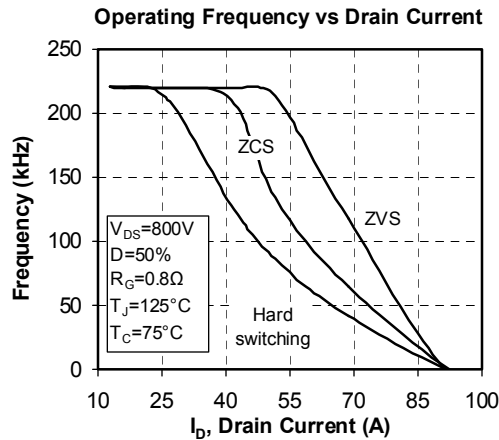
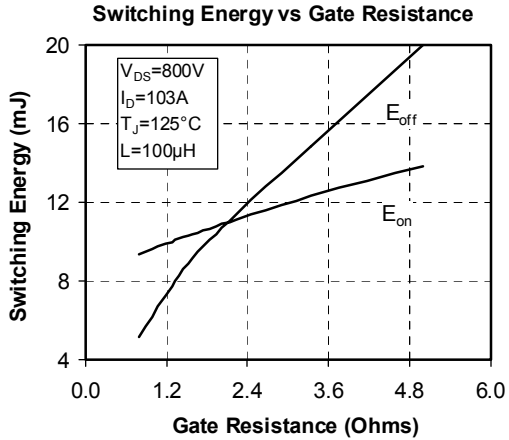
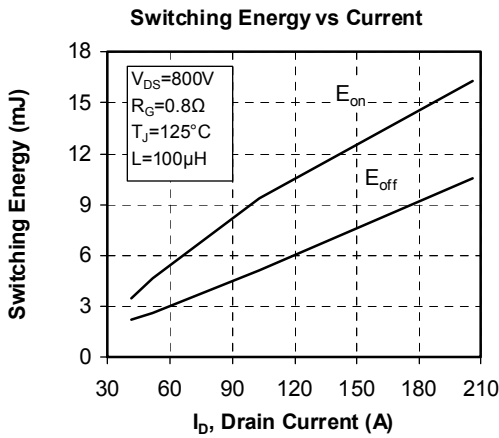
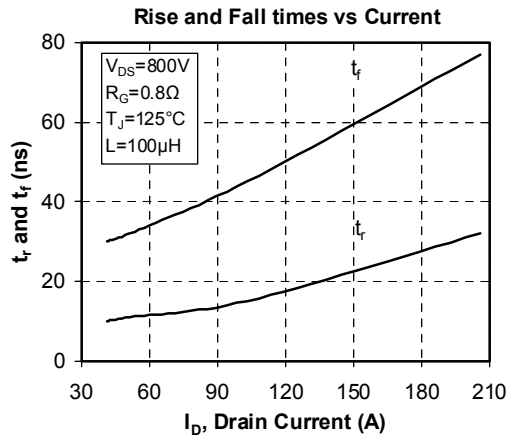
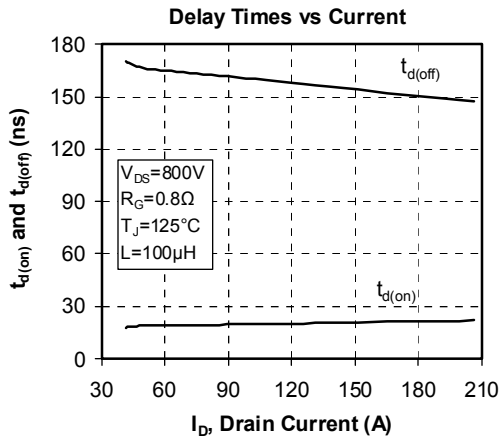
**Package outline**



**Typical Performance Curve**







APT reserves the right to change, without notice, the specifications and information contained herein

APT's products are covered by one or more of U.S. patents 4,895,810 5,045,903 5,089,434 5,182,234 5,019,522 5,262,336 6,503,786 5,256,583 4,748,103 5,283,202 5,231,474 5,434,095 5,528,058 and foreign patents. U.S. and Foreign patents pending. All Rights Reserved.