

**AsahiKASEI**  
ASAHI KASEI EMD

## AK2300 3.3V Single channel PCM CODEC LSI

### GENERAL DESCRIPTION

The AK2300 is a single channel PCM CODEC for various applications for example, AFE. It includes the selectable linear PCM interface, A/ $\mu$ -law function, mute and power down. All of these functions are controlled by the pin.

It includes Band limiting filter, A/D and D/A converter, and A-law/ $\mu$ -law converter. All functions are provided in very small QFN(16pins) package and it is good for reducing the mounting space.

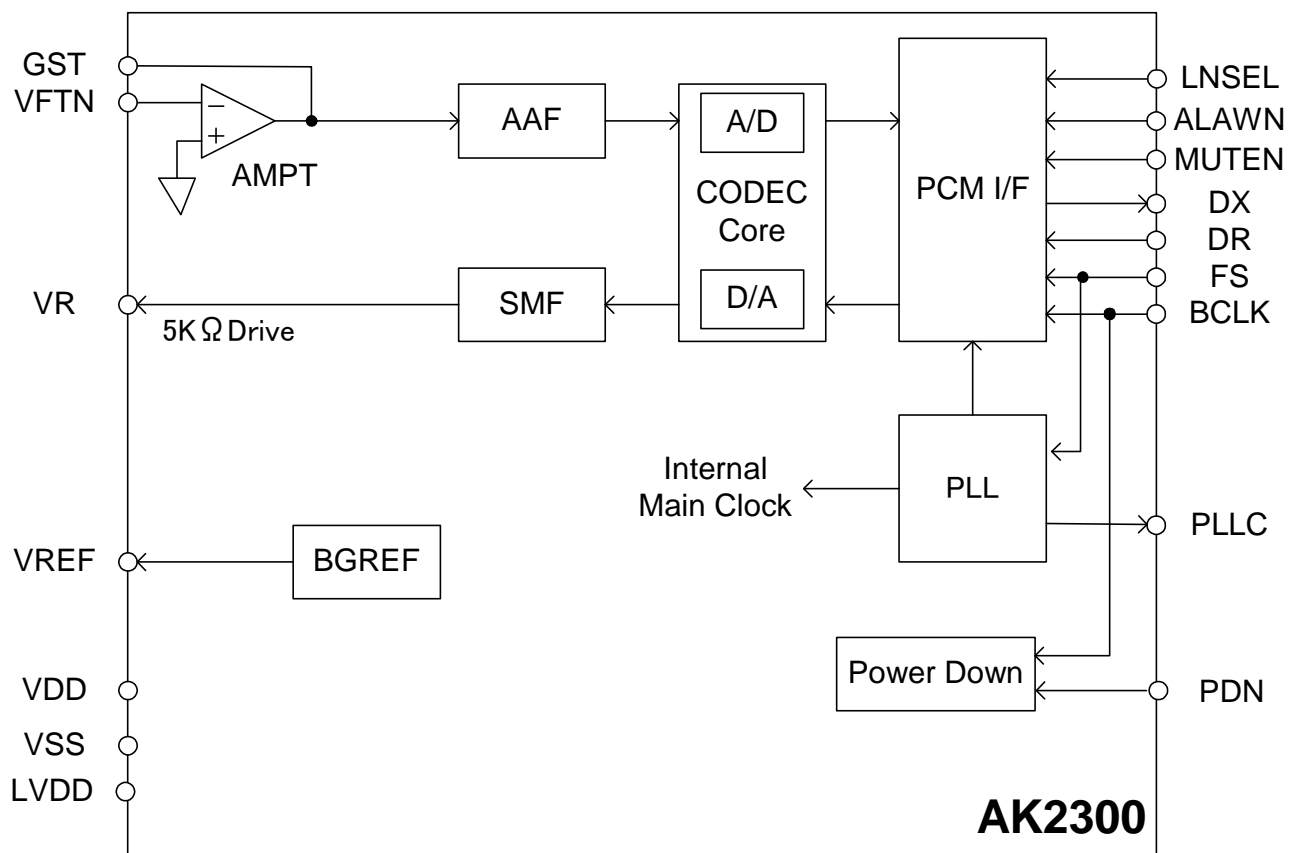
### PACKAGE

- ◆ 16pin QFN
- Body 3.0\*3.0mm
- Pin pitch 0.5mm

### FEATURE

- ◆ Single PCM CODEC and filtering system
- ◆ Selectable functions
  - Mute
  - Power down (PDN='L' or BCLK='L')
  - A-law /  $\mu$ -law / linear PCM
- ◆ Long Frame / Short Frame are selected by pin
- ◆ PCM data rate  
(64k\*N)Hz (N=1~32)
- ◆ Op-amp for the external gain adjustment
- ◆ Single power supply voltage: +2.6~+3.6V(VDD)
- ◆ Digital I/F power supply voltage: +1.7~3.6V(LVDD)
- ◆ Low power consumption
  - Power on : 5.3mA(typ)
  - Power down : 0.1uA(typ)

### BLOCK DIAGRAM



## CONTENT

ITEMS	PAGE
- BLOCK DIAGRAM.....	1
- PIN CONDITION.....	3
- PIN FUNCTION.....	4
- ABSOLUTE MAXIMUM RATINGS.....	5
- RECOMMENDED OPERATING CONDITION.....	5
- ELECTRICAL CHARACTERISTICS.....	5
- PACKAGE INFORMATION.....	11
- PIN ASSIGNMENT.....	12
- MARKINGS.....	12
- CIRCUIT DESCRIPTIONS.....	13
- FUNCTIONAL DESCRIPTIONS.....	14
- PCM CODEC.....	14
- PCM INTERFACE.....	14
- MUTE, Power Down.....	16
- START UP PROCEDURE.....	17
- APPLICATION CIRCUIT EXAMPLE .....	18

## PIN CONDITIONS

Pin#	Name	I/O	Pin type	AC load (MAX.)	DC load (MIN.)	Output status (mute)	Output status (PD)	Remarks
7	VFTN	I	Analog					
6	GST	O	Analog	50pF	AC load(*1) 10k $\Omega$ (*2)		Hi-Z	
4	VR	O	Analog	40pF	AC load(*1) 5k $\Omega$	Analog ground	Hi-Z	
14	FS	I	CMOS					Pull down 100K $\pm$ 50Kohm
15	BCLK	I	CMOS					Pull down 100K $\pm$ 50Kohm
11	DX	O	CMOS	50pF		0 code	VSS	
16	DR	I	CMOS					Pull down 100K $\pm$ 50Kohm
1	MUTEN	I	CMOS					Do not open
2	PDN	I	CMOS					Do not open
13	DIF0	I	CMOS					Do not open
5	DIF1	I	CMOS					Do not open(*3)
3	VDD	-	PWR					
12	LVDD	-	PWR					
10	VSS	-	GND					
8	VREF	O	Analog				VSS	- External capacitance 0.1uF
9	PLL	O	Analog				VSS	- External capacitance 0.056uF $\pm$ 30% ( Includes temperature characteristic)

\*1) AC load is feedback resistance to VFTN.

\*2) This value includes a feedback resistance of input/output op-amps.

\*3) Please connect it with VDD when DIF1 is "H".

**PIN FUNCTION**

Pin types

DIN: Digital input

DOUT: Digital output

PWR: Power / Ground

AIN: Analog input

AOUT: Analog output

Pin#	Name	Type	Function
7	VFTN	AIN	<b>Negative analog output of analog input OP amp.</b> Single-end amplifier is composed of the external registers. Transmit gain is defined by the ratio of the external registers.
6	GST	AOUT	<b>Output of the transmit OP amp.</b> The external feedback resistor is connected between this pin and VFTN.
4	VR	AOUT	<b>Analog output of the D/A converter equivalent to the received PCM code.</b>
14	FS	DIN	<b>Frame sync input</b> This clock is input for the internal PLL which generates the internal system clocks. FS must be 8kHz clock which is synchronized with BCLK.
5	BCLK	DIN	<b>Bit clock of PCM data interface</b> This clock defines the input/output timing of DX and RX. The frequency of BCLK should be $64\text{kHz} \times N$ ( $N=1\sim 32$ ) and duty should be 40~60%. When this pin is taken low, power down the device. *Please don't stop BCLK at "H" level.
11	DX	DOUT	<b>Serial output of PCM data</b> The PCM data is synchronized with BCLK. This output remains in the low level except for the period in which PCM data is transmitted.
16	DR	DIN	<b>Serial input of PCM data</b> The PCM data is synchronized with BCLK.
1	MUTEN	DIN	<b>Mute setting pin</b> "L" level forces both A/D, D/A output to mute state.
2	PDN	DIN	<b>Power down setting pin</b> "L" level forces power down mode.
13	DIF0	DIN	<b>Audio data interface select pin</b> "L"=A-law, "H"= $\mu$ -law, "FS"=Linear PCM (Please connect DIF0 with FS(#14) at a Linear PCM mode.)
5	DIF1	DIN	<b>Audio data interface timing select pin</b> "H" : MSB of DX/DR are input/output by rising edge of FS. (Connect to VDD) "L" : MSB of DX/DR are input/output by next rising edge of BCLK after the rising edge of FS. (Please connect it with VDD when DIF1 is "H".)
3	VDD	PWR	<b>Positive supply voltage</b>
12	LVDD	PWR	<b>Positive supply voltage for digital interface</b>
10	VSS	PWR	<b>Ground (0V)</b>
8	VREF	AOUT	<b>Analog reference voltage output</b> External capacitance (0.1 $\mu$ F) should be connected between this pin and VSS. <b>Please do not connect external load to this pin.</b>
9	PLL	AOUT	<b>PLL loop filter output</b> External capacitance (0.056 $\mu$ F $\pm$ 30%: Includes temperature characteristic) should be connected between this pin and VSS.
	Exposed Pad	-	<b>Flip side PAD</b> VSS or Open

<b>ABSOLUTE MAXIMUM RATINGS</b>
---------------------------------

Parameter	Symbol	min	max	Units
Power supply voltage				
Analog/Digital power supply	VDD	-0.3	4.6	V
Digital interface power supply	LVDD	-0.3	4.6	V
Digital input voltage	VTD	-0.3	LVDD+0.3	V
Analog input voltage	VTA	-0.3	VDD+0.3	V
Input current (except power supply pins)	IIN	-10	10	uA
Storage temperature	Tstg	-55	125	°C

Warning: Exceeding absolute maximum ratings may cause permanent damage.  
Normal operation is not guaranteed at these extremes.

<b>RECOMMENDED OPERATING CONDITIONS</b>
---

Parameter	Symbol	min	typ	max	Units
Power supply voltage					
Analog/Digital power supply	VDD	2.6	3.3	3.6	V
Digital interface power supply *1)	LVDD	1.7	3.3	3.6	V
Ambient operating temperature	Ta	-30		85	°C
Frame sync frequency *2)	FS	-1.0%	8	+1.0%	kHz

Note) All voltages reference to ground: VSS = 0V

\*1) VDD ≥ LVDD

\*2) All the characteristics of the CODEC are defined by 8kHz FS.

<b>ELECTRICAL CHARACTERISTICS</b>
-----------------------------------

Unless otherwise noted, guaranteed for VDD = +2.6V~3.6V, LVDD=+1.7V~+3.6V (VDD ≥ LVDD),  
Ta = -30~+85°C, FS=8kHz, VSS=0V

**DC Characteristics**

Parameter	Symbol	Conditions	min	typ	Max	Unit
Power Consumption (All output unloaded)	PDD1*1)	*1)BCLK=2.048		5.3	9.0	mA
	PDD2	Power down		0.1	5.0	uA
Output high voltage	VOH	I <sub>OH</sub> = -200uA	0.8VDD			V
Output low voltage	VOL	I <sub>OL</sub> = 200uA			0.4	V
Input high voltage1	VIH1	FS,BCLK,DR,MUTEN, PDN,DIF0	0.7LVDD			V
Input low voltage1	VIL1	FS,BCLK,DR,MUTEN, PDN,DIF0			0.3LVDD	V
Input high voltage2	VIH2	DIF1	0.7VDD			V
Input low voltage2	VIL2	DIF1			0.3VDD	V
Input leakage current	ILL	Except pull down pins	-10		+10	uA
Analog ground output	VRG	VREF pin	1.2	1.3	1.4	V

\*1) VFTN=1020Hz@0dBm0 input, DR=1020Hz@0dBm0 Code input.

**PCM INTERFACE (Long Frame, Short Frame)**

All timing parameters of the output pins are measured at  $V_{OH} = 0.8LV_{DD}$  and  $V_{OL} = 0.4V$ . Input pins are measured at  $V_{IH} = 0.7LV_{DD}$  and  $V_{IL} = 0.3LV_{DD}$ .

**AC Characteristics**

Parameter	Symbol	Min	Typ	Max	Unit	Ref Fig
FS Frequency	$f_{PF}$	-1.0%	8	+1.0%	kHz	Fig1,2, 3,4
BCLK Frequency	$f_{PB}$	-	$f_{PF} \times 8N$ ( $N=1-32$ )	-	kHz	
BCLK Duty Cycle	$t_{WB}$	40		60	%	
Rising/Falling Time: (BCLK,FS, DX,DR)	$t_{RB}$ $t_{FB}$			40	ns	
Hold Time: BCLK Low to FS High	$t_{HBF}$	60			ns	
Setup Time: FS High to BCLK Low	$t_{SFB}$	20			ns	
Setup Time: DR to BCLK Low	$t_{SDB}$	20			ns	
Hold Time: BCLK Low to DR	$t_{HBD}$	60			ns	
FS Pulse Width Low	$t_{WFSL}$	1			BCLK	
Delay time: FS or BCLK High, whichever is later, to DX valid (Note1)	$T_{DZFL}$			60	ns	
Hold time: BCLK Low to FS Low	$T_{HBFS}$	60			ns	
Setup time: FS Low to BCLK Low	$T_{SFBS}$	20			ns	
Delay Time: BCLK High to DX valid Note1)	$t_{DBD}$	0		60	ns	

Note1) Measured with 50pF load capacitance and 0.2mA drive.

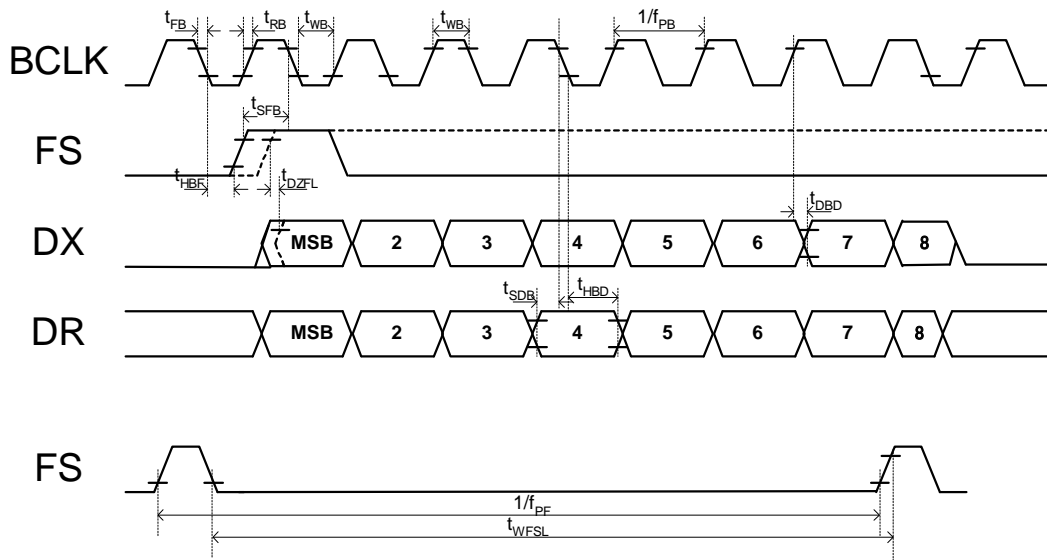


Fig1. DIF0="L" or "H" , DIF1="H"

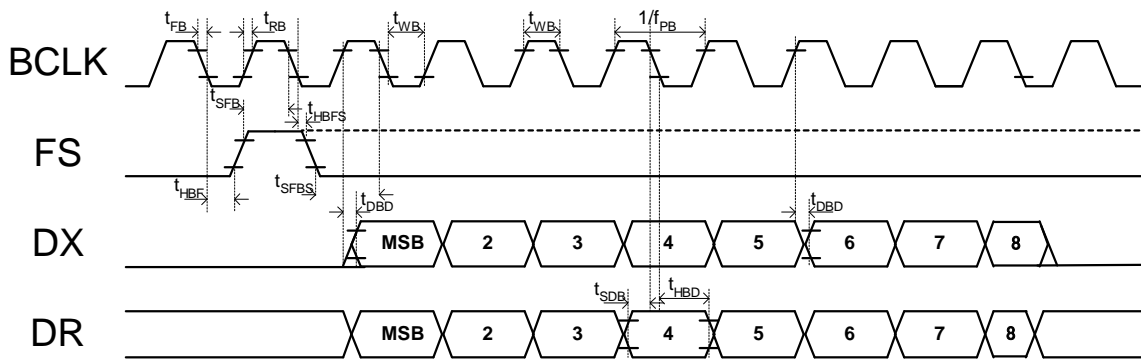


Fig2. DIF0="L" or "H" , DIF1="L"

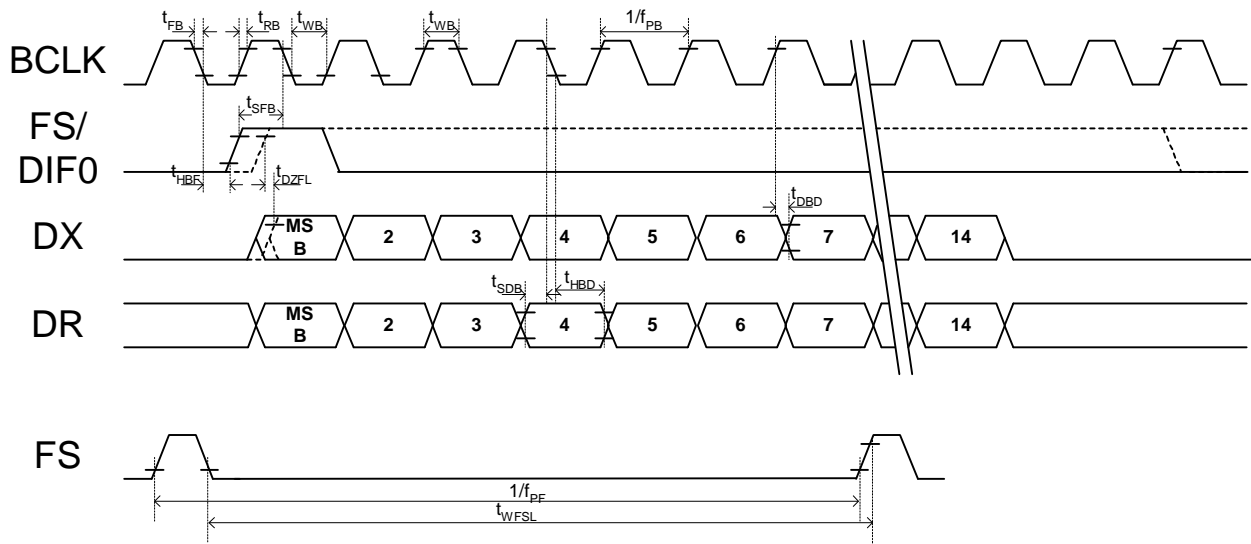


Fig3. DIF0="FS", DIF1="H"

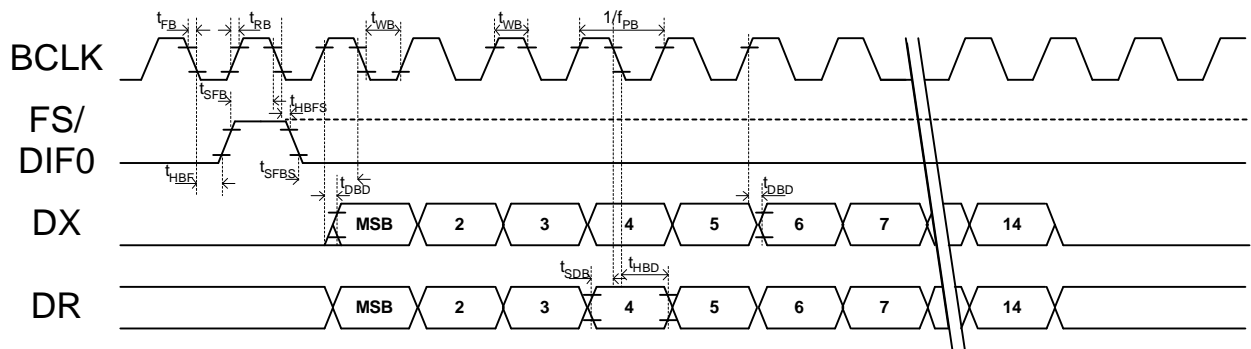


Fig4. DIF0="FS", DIF1="L"



**CODEC**

\* The AMPT characteristics is measured at the 0dB gain.

The frequency specifications when FS deviation from 8kHz are as follows:

$$\frac{UsedFS}{8k[Hz]} \times \text{noted frequency specification} = \text{Effective frequency specification}$$

**Absolute Gain**

Parameter		Conditions	min	typ	max	Unit
Analog input level	VFTN	0dBm0@1020Hz input		0.460		Vrms
Absolute transmit gain	→		-0.6	—	0.6	dB
Maximum overload level	DX	3.14dBm0		0.660		Vrms
Analog output level	DR	0dBm0@1020Hz input		0.460		Vrms
Absolute receive gain	→		-0.6	—	0.6	dB
Maximum overload level	VR	3.14dBm0		0.660		Vrms

**Frequency response**

Parameter		Conditions	min	Typ	max	Unit
Transmit frequency response (A→D) VFTN → DX	Relative to: -10dBm0 1020Hz Tone	-55dBm0~-50dBm0	-1.2	—	1.2	dB
		-50dBm0~-40dBm0	-0.4	—	0.4	
		-40dBm0~ 3dBm0	-0.2	—	0.2	
Receive frequency response (D→A) DR → VR	Relative to: -10dBm0 1020Hz Tone	-55dBm0~-50dBm0	-1.2	—	1.2	dB
		-50dBm0~-40dBm0	-0.4	—	0.4	
		-40dBm0~ 3dBm0	-0.2	—	0.2	

**Frequency response**

Parameter		Conditions	min	typ	max	Unit
Transmit Frequency response (A→D) VFTN → DX	Relative to: 0dBm0@1020Hz	0.05kHz	—	—	-30	dB
		0.06kHz	—	—	-26	
		0.2kHz	-1.8	—	0	
		0.3~3.0kHz	-0.15	—	0.15	
		3.4kHz	-0.8	—	0	
		4.0kHz	—	—	-14	
Receive Frequency response (D→A) DR → VR	Relative to: 0dBm0@1020Hz	0~3.0kHz	-0.15	—	0.15	dB
		3.4kHz	-0.8	—	0	
		4.0kHz	—	—	-14	

**Distortion (A-law, μ-law)**

Parameter		Conditions	min	typ	max	Unit
Transmit signal to Distortion (A→D) VFTN → DX	1020Hz Tone	-40dBm0~-45dBm0	25	—	—	dB
		-30dBm0~-40dBm0	30	—	—	
		0dBm0~-30dBm0	36	—	—	
Receive signal to Distortion (D→A) DR → VR	1020Hz Tone	-40dBm0~-45dBm0	25	—	—	dB
		-30dBm0~-40dBm0	30	—	—	
		0dBm0~-30dBm0	36	—	—	

**Distortion (Liar PCM)**

Parameter		Conditions	min	typ	max	Unit
Transmit signal to Distortion (A→D) VFTN → DX	1020Hz Tone	0dBm0 (C-massage)		78		dB
Receive signal to Distortion (D→A) DR → VR	1020Hz Tone	0dBm0 (C-massage)		81		dB

**Noise**

Parameter	Conditions	min	typ	max	Units
Idle channel noise A→D (*1) VFTN → DX	u-law, C-message	—	12	17	dBrnC0
	A-law, Psophometric		-78	-73	dBm0p
	Linear, C-message	—	12	17	dBrnC0
Idle channel noise D→A(*2) DR → VR	u-law, C-message	—	9	14	dBrnC0
	A-law, Psophometric	—	-81	-76	dBm0p
	Linear, C-message	—	9	14	dBrnC0
PSRR Transmit path	VDD=3.3V/±66mVop f=0~10kHz	—	55	—	dB
PSRR Receiver path	VDD=3.3V/±66mVop f=0~10kHz	—	55	—	dB

(\*1) Analog input is set to the analog ground level

(\*2) Digital input is set to the +0 CODE

**Crosstalk**

Parameter	Conditions	min	Typ	max	Units
Transmit to receive VFTN → VR	VFTN 0dBm0@1020Hz DR = 0-Code	—	—	-75	dB
Receive to transmit DR → DX	DR=0dBm0@1020Hz code level VFTN = 0 Vrms	—	—	-75	dB

**Analog input op-amp characteristics :AMPT**

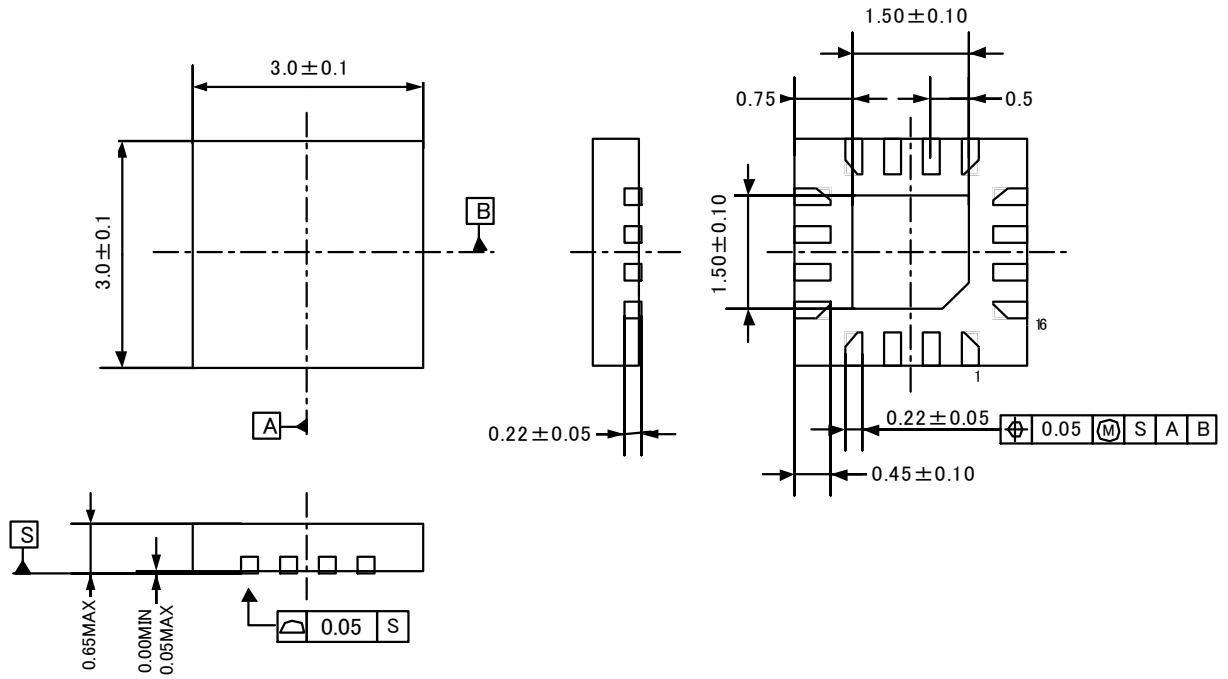
Parameter	Conditions	min	Typ	max	Units
Load resistance	AC load, Including feedback resistance	10	—	—	kΩ
Load capacitance		—	—	50	pF
Gain	Inverting amplifiers	-6	—	20	dB

**Receive signal output characteristics :VR**

Parameter	Conditions	min	typ	max	Units
Output voltage(AGND level)	PCM +0 code input	—	1.3	—	V
Load resistance	AC load	5	—	—	kΩ
Load capacitance		—	—	40	pF

PACKAGE INFORMATION

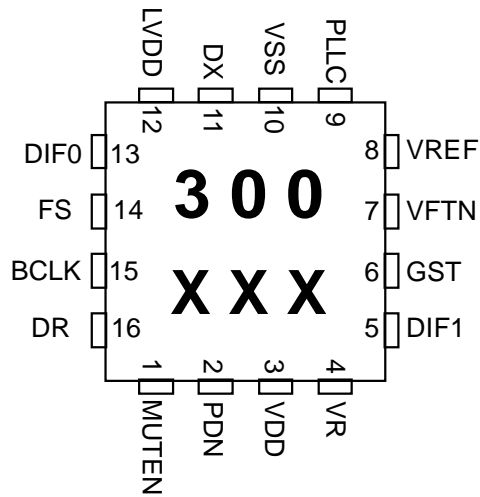
16pin QFN (3mm x 3mm)



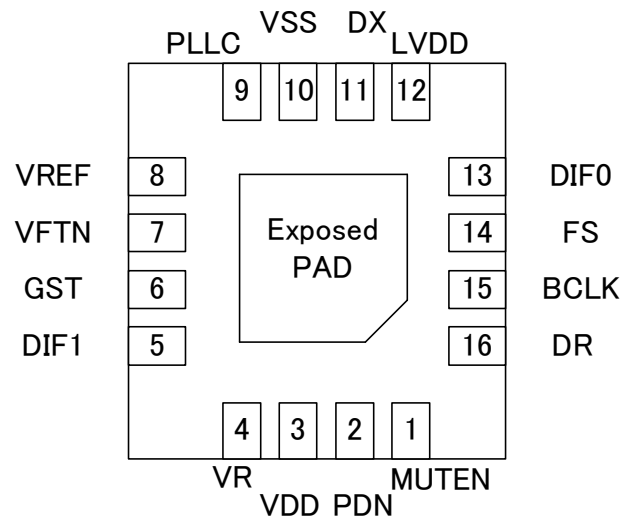
PIN ASSIGNMENT

16pin QFN

Top View

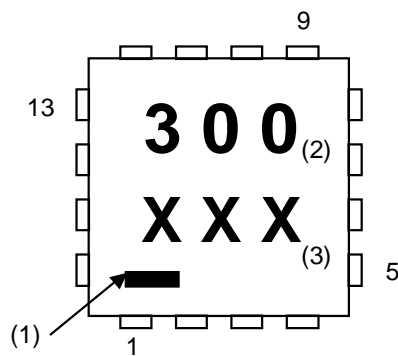


Bottom View



MARKING

- (1) 1pin sign
- (2) Marketing Code: 300
- (3) Date Code: 3digit XXX



**CIRCUIT DESCRIPTION**

BLOCK	FUNCTION		
AMPT	Op-amp for input gain adjustment. This op-amp is used as an inverting amplifier. Adjusting the gain with external resistors. The resistor should be larger than 10kohm for the feedback resistor. VFTN: Negative op-amp input. GST: Op-amp output.		
AAF	Integrated anti-aliasing filter which prevents signals around the sampling rate from folding back into the voice band. AAF is a 2 <sup>nd</sup> order RC active low-pass filter.		
CODEC A/D	Converting the analog signal to 14bits linear data. And it is PCM data according to the companding schemes of ITU recommendation G.711; A-law or u-law. The band limiting filter is also integrated. The selection of companding schemes(A-law/ and interface timing are set by DIF0/1pins.		
CODEC D/A	Converting the 14bits linear PCM data or 8bits PCM data accroding to A-law / u-law. The selection of expanding schemes and interface timing are set by DIF0/1pins.		
SMF	Extracts the inband signal from D/A output. It also corrects the sinx/x effect of the D/A output.		
BGREF	Provide the stable analog reference voltage using an on-chip band-gap reference circuit which is temperature compensated. The output voltage is 1.3V for 3.3V An external capacitor of 0.1uF should be connected between VREF and VSS to stabilize analog ground (VREF). <b>Please do not connect external load to this pin.</b>		
PCM I/F	For the PCM data rate, 64kHz × N (N=1~32) are available. The 8bit PCM data is input/output by A/u-law data. The 14bit PCM data is input/output by the 2's compliment 16bit serial data format. PCM data is input to DR pin and output from DX pin. The selection of interface timing is selected by DIF0/1 pins.  <table style="width: 100%; border: none;"> <tr> <td style="width: 50%; vertical-align: top;">                     DIF0                      "L" : A-law                      "H" : u-law                      "FS" : Linear                 </td> <td style="width: 50%; vertical-align: top;">                     DIF1                      "H" : MSB of DX/DR are input/output by rising edge of FS                      "L" : MSB of DX/DR are input/output by next rising edge of BCLK after the rising edge of FS.                 </td> </tr> </table>	DIF0 "L" : A-law "H" : u-law "FS" : Linear	DIF1 "H" : MSB of DX/DR are input/output by rising edge of FS "L" : MSB of DX/DR are input/output by next rising edge of BCLK after the rising edge of FS.
DIF0 "L" : A-law "H" : u-law "FS" : Linear	DIF1 "H" : MSB of DX/DR are input/output by rising edge of FS "L" : MSB of DX/DR are input/output by next rising edge of BCLK after the rising edge of FS.		

## FUNCTIONAL DESCRIPTIONS

**PCM CODEC****- A/D**

Analog input signal is converted to 14bit PCM data. The analog signal is fed to the anti-aliasing filter (AAF) before the converting PCM data, to prevent signals around the sampling rate from folding back into the voice band. The converted PCM data passes through the band limiting filter which Frequency response is designated in page8, and output from the DX pin with MSB first format. It is synchronized with rising edge of the BCLK. This PCM data is 8bit A/u-law or 14bit linear. And full scale is defined as 3.14dBm0. The analog input of 0.660Vrms is converted to a digital code of 3.14dBm0.

**- D/A**

Input PCM data from the DR pin is through the digital filter which Frequency response is designated in page8, and converted analog signal. This analog signal is removed the high frequency element with SMF (fc=30kHz typ) and output from the VR pin. The input PCM data is 8bit A/u-law data or 14bit linear. And full scale is defined as 3.14dBm0. When the input signal is 3.14dBm0, the level of the analog output signal becomes 0.660Vrms.

**- 14bit linear PCM digital code**

The relation ship between the analog signal and the 14bit linear code.

Signal level	14bit linear CODE (MSB First)
+Full code	01 1111 1111 1111
Peak value of the PCM 0dBm0 CODEC	01 0110 0100 1010
PCM 0-CODE	00 0000 0000 0000
-Full scale	10 0000 0000 0000

**PCM Data Interface**

AK2300 supports the following PCM data formats

- DIF0="L" : A-Law
- DIF0="H" : u-Law
- DIF0="FS" : Linear PCM
- DIF1="H" : MSB of DX/DR are input/output by rising edge of FS
- DIF1="L" : MSB of DX/DR are input/output by next rising edge of BCLK after the rising edge of FS.

PCM data is interfaced through the pin (DX, DR).

In each case, PCM data is interfaced by A/u-law data with 8bit format and 2's compliment 2digit data with 16bit MSB first format. However, internal CODEC is 14bit format operation, then the lowest 2bits output become to "L" level. For the input, the lowest 2bits are ignored.

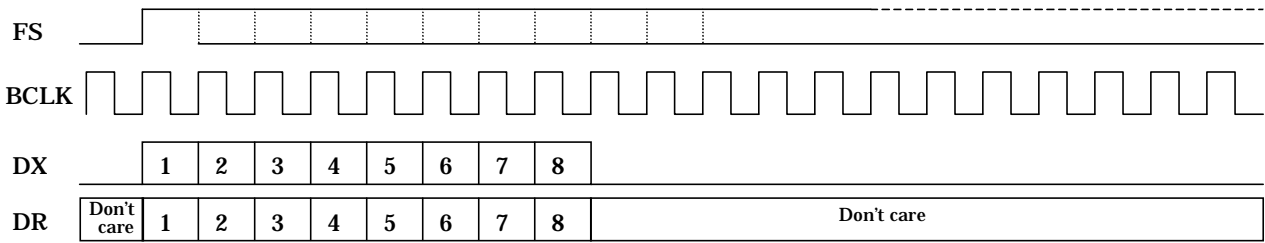
**- Frame sync signal (FS)**

8kHz reference signal. This signal indicated the timing and the frame position of 8kHz PCM interface. All the internal clock of the LSI is generated based on this FS signal.

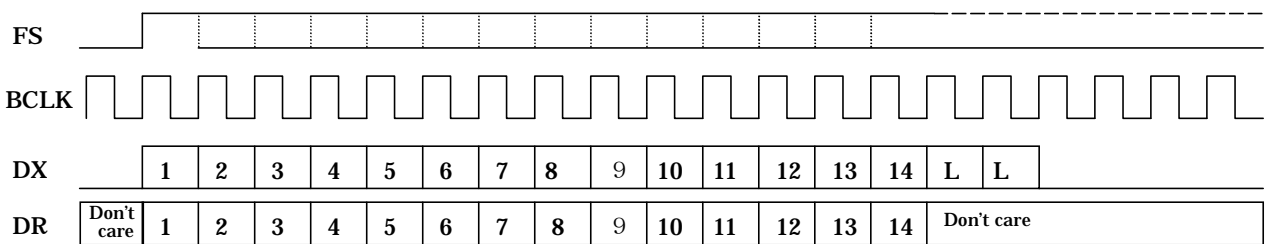
**-Bit clock (BCLK)**

BCLK defines the PCM data rate. BCLK rate is 64kHz × N (N=1~32). This clock must be synchronized with FS.

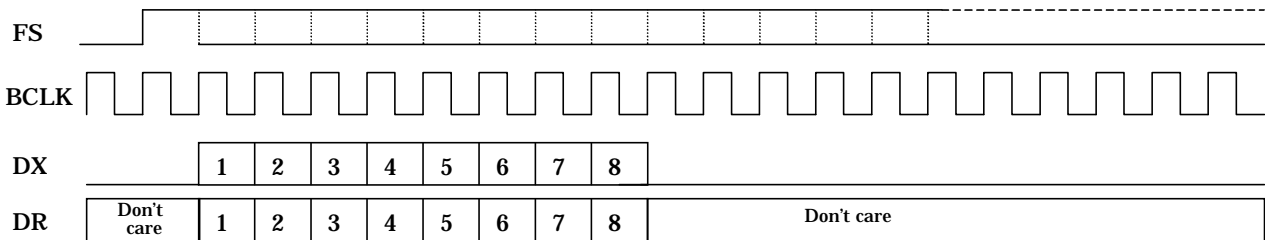
**DIF0="L or H", DIF1="H"**



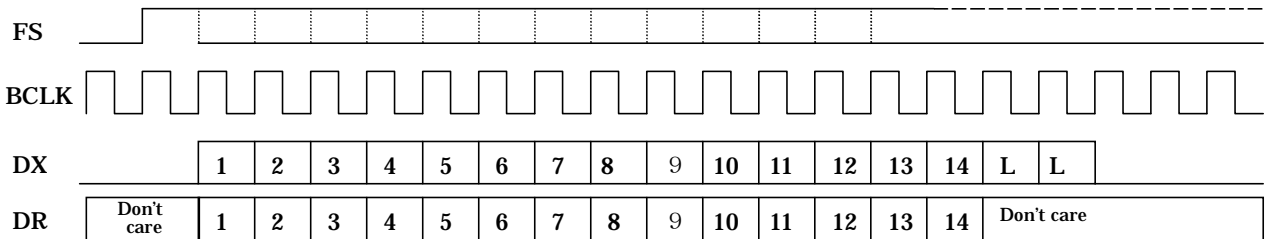
**DIF0="FS", DIF1="H"**



**DIF0="L or H", DIF1="L"**



**DIF0="FS", DIF1="L"**



## MUTE

The output of the PCM CODEC can be muted by pin control.

### MUTEN pin

MUTEN pin	Operation	DX pin	VR pin
L	Mute	0 Code	VREF level(1.3V)
H	Normal	PCM data output	CODEC analog output

#### [DX pin]

When the MUTEN pin turns to “L” during the data output, the mute function becomes available at the top of the next FS.

#### [VR pin]

When the MUTEN pin turns to “L”, 0 code is fed to the D/A converter and VR becomes at analog reference level (VREF level=1.3V).

## POWER DOWN MODE

PDN pin “L” or to hold the BCLK pin “L”, the AK2300 is powered down.

(\*Please don't stop BCLK at “H” level.)

### Power up/down sequence

#### 1) Power down

60usec(typ) passed after the PDN pin turns “L” or the BCLK pin hold “L”, internal PDN signal turn to L and the AK2300 is powered down.

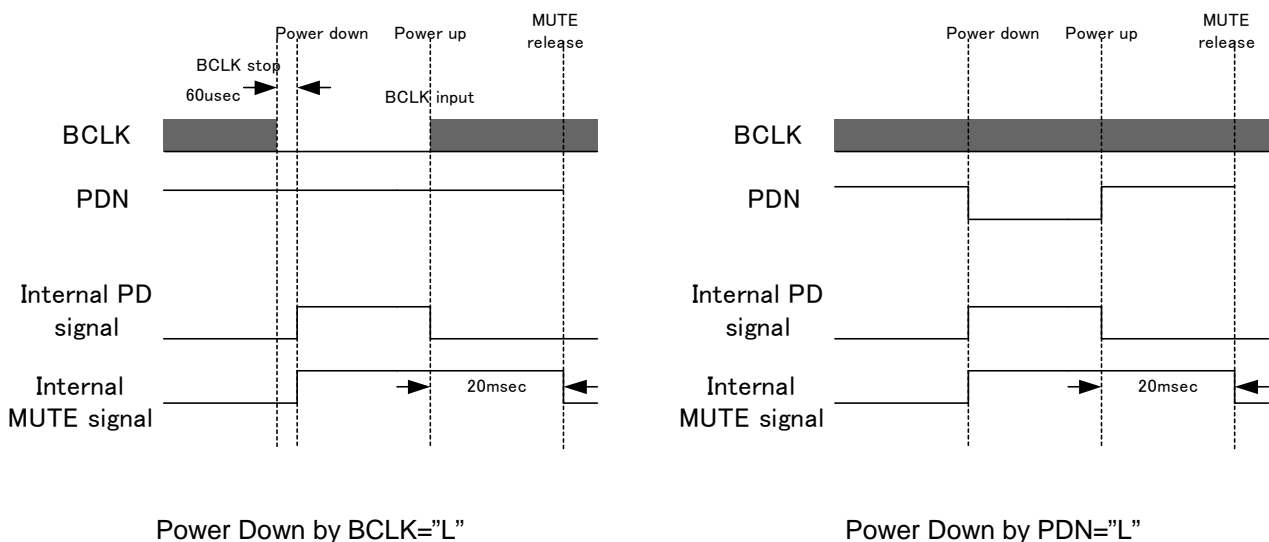
When power down mode the output pins are as follows.

PIN Name	GST	VR	DX	VREF	PLL
Output state	Hi-Z	Hi-Z	VSS	VSS	VSS

#### 2) Power up

FS and BCLK pins are clocked and PDN pin =”H”, internal PDN signal is turn to “H” and power down mode is released.

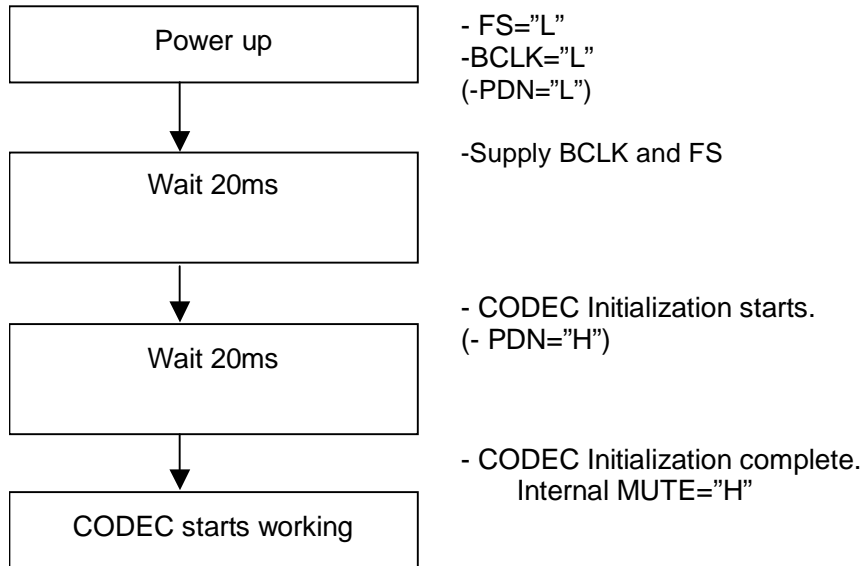
During power down mode and 20msec (typ) after the power up, the voice path is muted for not to output abnormal noise.





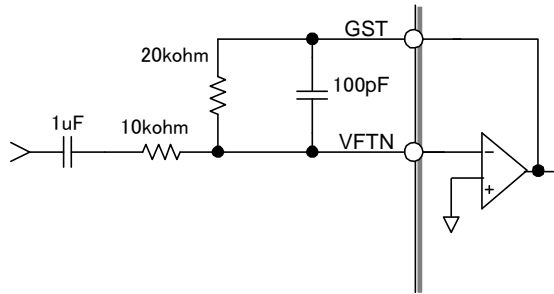
### Recommended start up procedure

The following start up procedure is recommended when AK2300 is going to power up. Power up is 5ms or less, internal Power On Reset is working, because ( ) in the following sequence can be omitted.

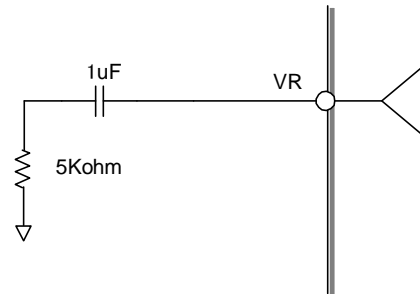


APPLICATION CIRCUIT EXAMPLES

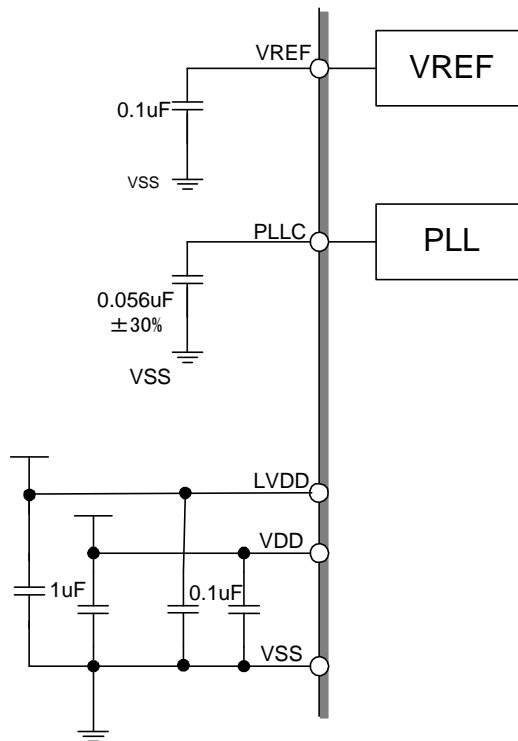
Analog input circuit (single)



Analog output circuit



Power supply, PLL loop filter capacitor and analog ground stabilization capacitor



## IMPORTANT NOTICE

- I These products and their specifications are subject to change without notice.  
When you consider any use or application of these products, please make inquiries the sales office of Asahi Kasei EMD Corporation (AKEMD) or authorized distributors as to current status of the products.
- I AKEMD assumes no liability for infringement of any patent, intellectual property, or other rights in the application or use of any information contained herein.
- I Any export of these products, or devices or systems containing them, may require an export license or other official approval under the law and regulations of the country of export pertaining to customs and tariffs, currency exchange, or strategic materials.
- I AKEMD products are neither intended nor authorized for use as critical components<sup>Note1)</sup> in any safety, life support, or other hazard related device or system<sup>Note2)</sup>, and AKEMD assumes no responsibility for such use, except for the use approved with the express written consent by Representative Director of AKEMD.  
As used here:  
Note1) A critical component is one whose failure to function or perform may reasonably be expected to result, whether directly or indirectly, in the loss of the safety or effectiveness of the device or system containing it, and which must therefore meet very high standards of performance and reliability.  
Note2) A hazard related device or system is one designed or intended for life support or maintenance of safety or for applications in medicine, aerospace, nuclear energy, or other fields, in which its failure to function or perform may reasonably be expected to result in loss of life or in significant injury or damage to person or property.
- I It is the responsibility of the buyer or distributor of AKEMD products, who distributes, disposes of, or otherwise places the product with a third party, to notify such third party in advance of the above content and conditions, and the buyer or distributor agrees to assume any and all responsibility and liability for and hold AKEMD harmless from any and all claims arising from the use of said product in the absence of such notification.