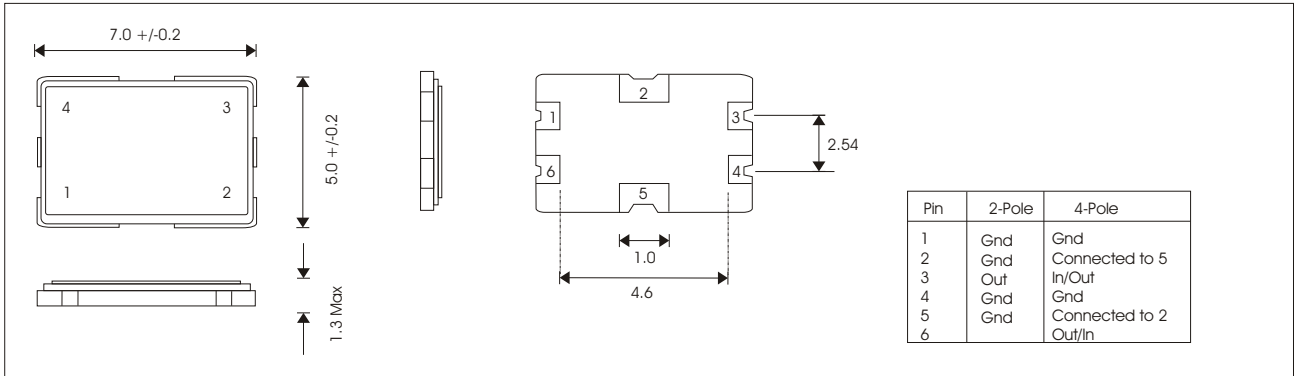


# Specify AEL

## Surface Mounted Monolithic Crystal Filters 21.4MHz & 45MHz



Quartz Crystal Filters



### FEATURES

- Small Size
- Surface Mounted
- Low Insertion Loss
- Single Package 4-Pole

### APPLICATIONS

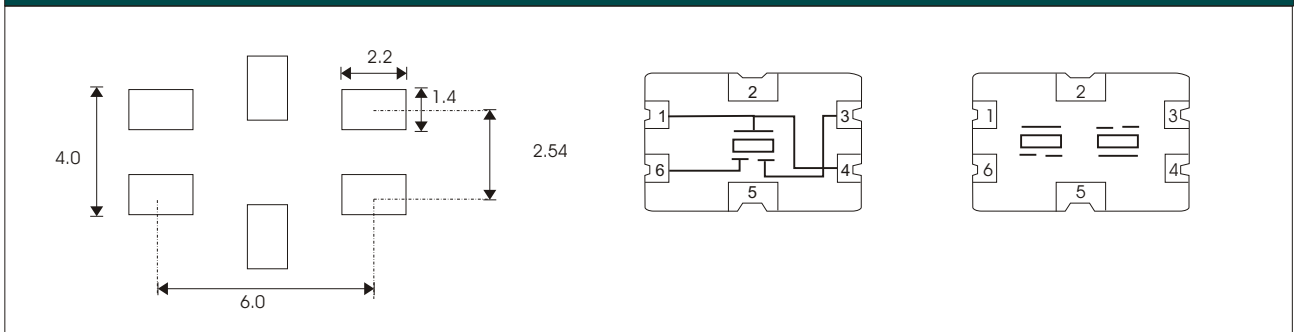
- UHF & VHF Radio
- Wireless Telemetry
- Wireless LAN
- Pagers

### STANDARD SPECIFICATIONS

Model	Centre Frequency (MHz)	No Poles	Passband Width at -3dB (kHz)	Ripple (dB)	Insertion Loss (dB)	StopBand Width		Guaranteed Attenuation		Terminating Impedance (kOhm/pF)	Qty per Filter
						(dB)	(kHz)	(dB)	(FO~+/-kHz)		
21MS7.5A	21.40000	2	+/-3.75	1	1.5	18.0	+/-18	50	-910 +/-10	0.85//6.0	1
21MS7.5B		4		1	2.5	35	+/-14	80	-910 +/-10	0.85//3.5	2
45MSF7.5A	45.000 Fundamental	2	+/-7.5	1.0	2.0	10.0	+/-12.5	70	-910 +/-10	0.20//4	1
21MS15A	21.40000	2		1	1.5	15.0	+/-45	50	-910 +/-10	3//0.5	1
21MS15B		4		1	3.0	35.0	+/-25	70	+200 ~ +1,000 -200 ~ -1,000	1.5//1.5	1
45MSF15A	45.000 Fundamental	2		1.0	4.0	15.0	+/-25	70	-910 +/-10%	0.65//3	1
45MSF15B		4	1.0	4.0	30.0	+/-25	90	-200 ~ -1,000	0.9//2.0	1	
		70					+200 ~ +600				
						20	+600 ~ +1,000				

### SOLDER PATTERN

### INTERNAL CONNECTION



[www.aelcrystals.co.uk](http://www.aelcrystals.co.uk)

quartz based frequency control components

Order Hotline +44 1293 524245

[www.aelcrystals.co.uk](http://www.aelcrystals.co.uk)  
sales@aelcrystals.co.uk