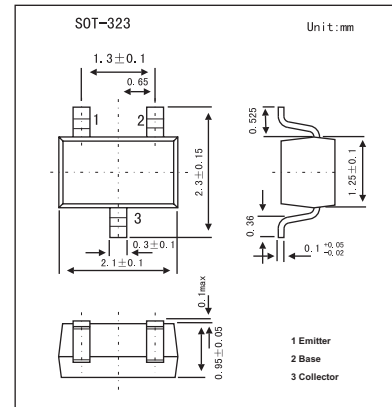


Silicon PNP Epitaxial

2SA1586

■ Features

- High voltage and high current.
- Excellent hFE linearity.
- High hFE.
- Low noise.
- Small package.

■ Absolute Maximum Ratings $T_a = 25^\circ\text{C}$

Parameter	Symbol	Rating	Unit
Collector-base voltage	V_{CB0}	-50	V
Collector-emitter voltage	V_{CE0}	-50	V
Emitter-base voltage	V_{EB0}	-5	V
Collector current	I_C	-150	mA
Base current	I_B	-30	mA
Collector power dissipation	P_C	100	mW
Junction temperature	T_J	125	$^\circ\text{C}$
Storage temperature range	T_{stg}	-55 to +125	$^\circ\text{C}$

■ Electrical Characteristics $T_a = 25^\circ\text{C}$

Parameter	Symbol		Min	Typ	Max	Unit
Collector cut-off current	I_{CB0}	$V_{CB}=-50\text{V}, I_E=0$			-0.1	μA
Emitter cut-off current	I_{EB0}	$V_{EB}=-5\text{V}, I_C=0$			-0.1	μA
DC current gain	hFE	$V_{CE}=-6\text{V}, I_C=-2\text{mA}$	70		400	
Collector-emitter saturation voltage	$V_{CE(sat)}$	$I_C=-100\text{mA}, I_B=-10\text{mA}$		-0.1	-0.3	V
Transition frequency	f_T	$V_{CE}=-10\text{V}, I_C=-1\text{mA}$	80			MHz
Collector output capacitance	C_{ob}	$V_{CB}=-10\text{V}, I_E=0, f=1\text{MHz}$		4	7	pF
Noise figure	NF	$V_{CE}=-6\text{V}, I_C=-0.1\text{mA}, f=1\text{kHz}, R_g=10\text{k}\Omega$		1.0	10	dB

■ hFE Classification

Marking	SO	SY	SG
hFE	70~140	120~240	200~400