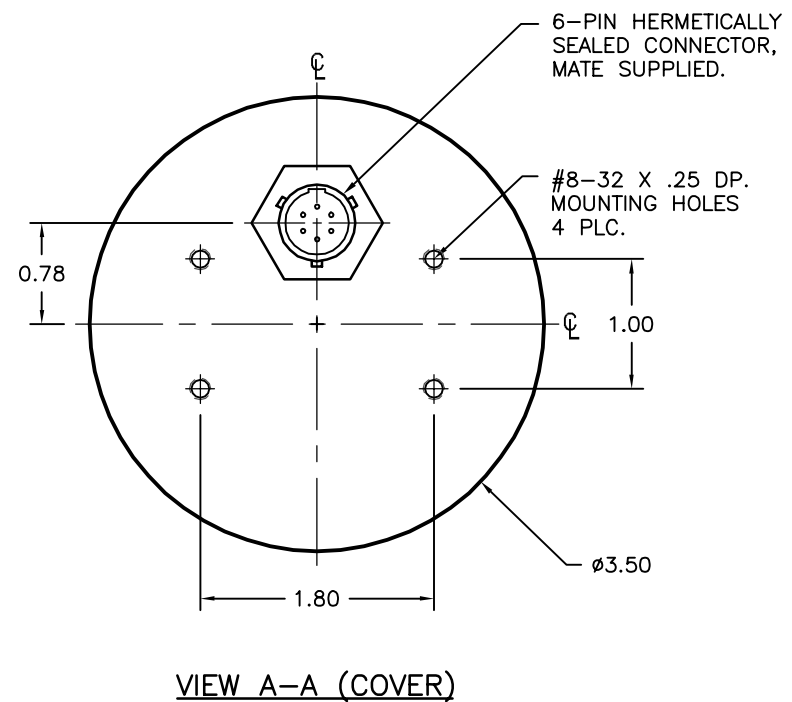
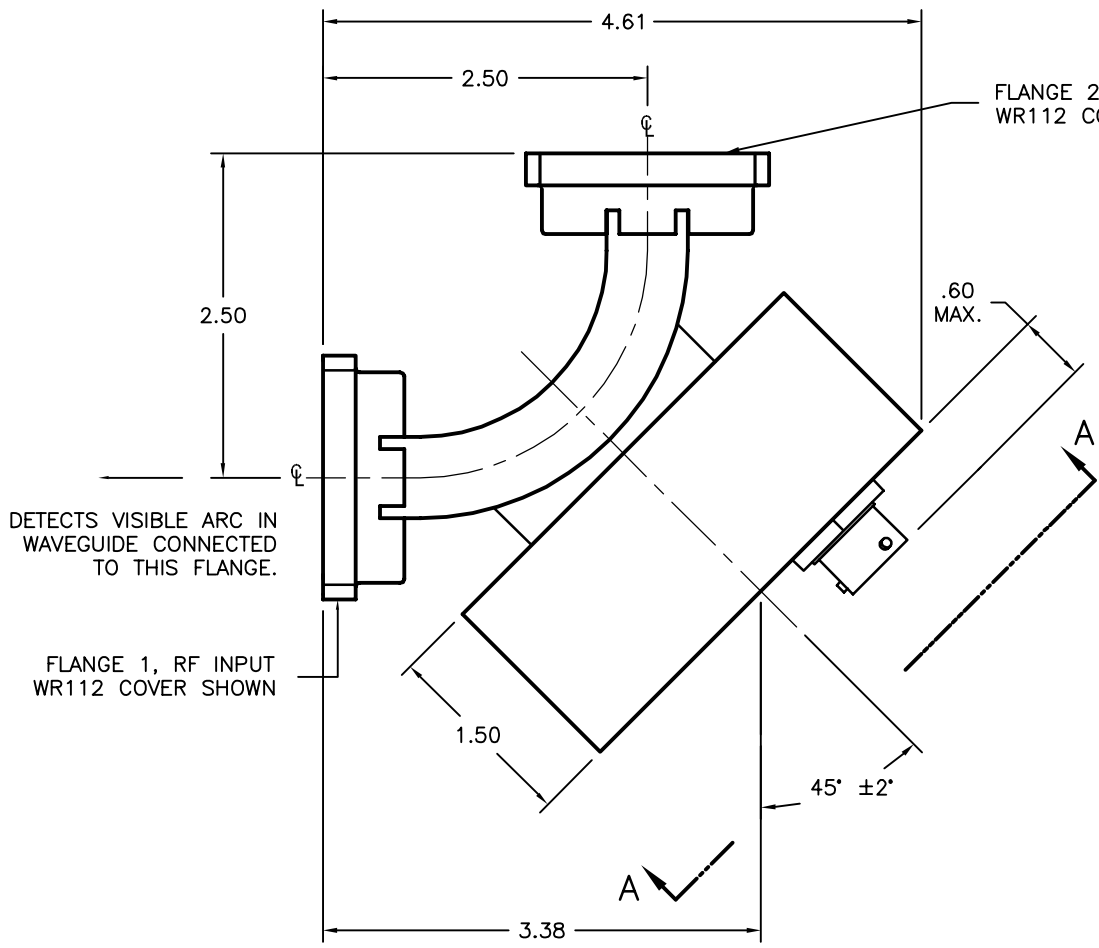


REV A	AUTH RL	DATE 06/07/02	INITIAL RELEASE
REV B	AUTH RL	DATE 01/28/03	REVISED, ADDED NOTES
REV C	AUTH JLE	DATE 08/16/04	FLANGE 1, 2 NOTED, CLARIFIED. ARC DIRECTION NOTE ADDED.
REV D	AUTH RL	DATE 05/16/06	FORMAT UPDATED, MOUNTING HOLE LOCATIONS CORRECTED.



NOTES:

- BEND IS 90° E-PLANE WR112 WAVEGUIDE.

THIRD ANGLE PROJECTION:		APPROVALS	DATE		ADVANCED TECHNICAL MATERIALS, INC. TEL: (631) 289-0363 FAX: (631) 289-0358 www.atmmicrowave.com		THE INFORMATION IN THIS DRAWING IS PROPRIETARY AND SHALL NOT BE USED OR DISCLOSED WITHOUT THE PRIOR WRITTEN CONSENT OF ATM, INC. DO NOT SCALE DWG.	
UNLESS OTHERWISE NOTED, DIMENSIONS ARE IN INCHES, TOLERANCES ARE: FRACTIONS: ±1/64 ANGLES: ±1/2°		DRAWN RL	05/16/06					
BASIC DIMENSION	DECIMALS 2 PLACE 3 PLACE	APRVD.		OUTLINE, WR112 W/G ARC DETECTOR		SIZE A	REVISION D	
UNDER 6"	±.02 ±.005	MATERIAL ALUM.				CAGE CODE OR8N4	ATM DWG # 4993W	SHEET 1/1
6" - 12"	±.03 ±.010	TREATMENT -				MODEL # 112-ARCE-X-6-6		
OVER 12"	±.06 ±.015	FINISH ATM GRAY						