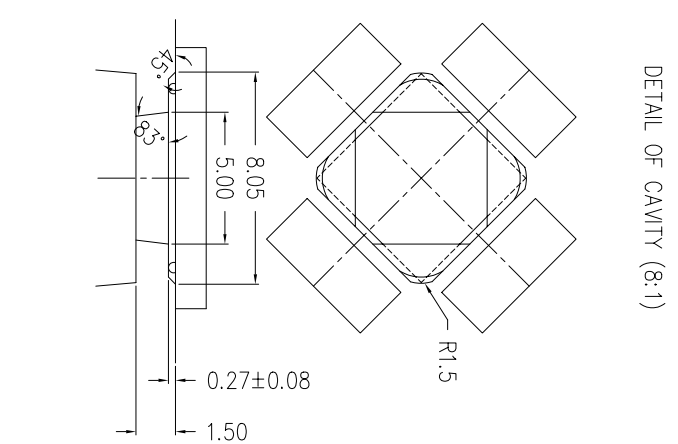
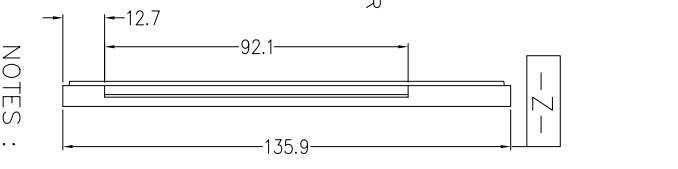
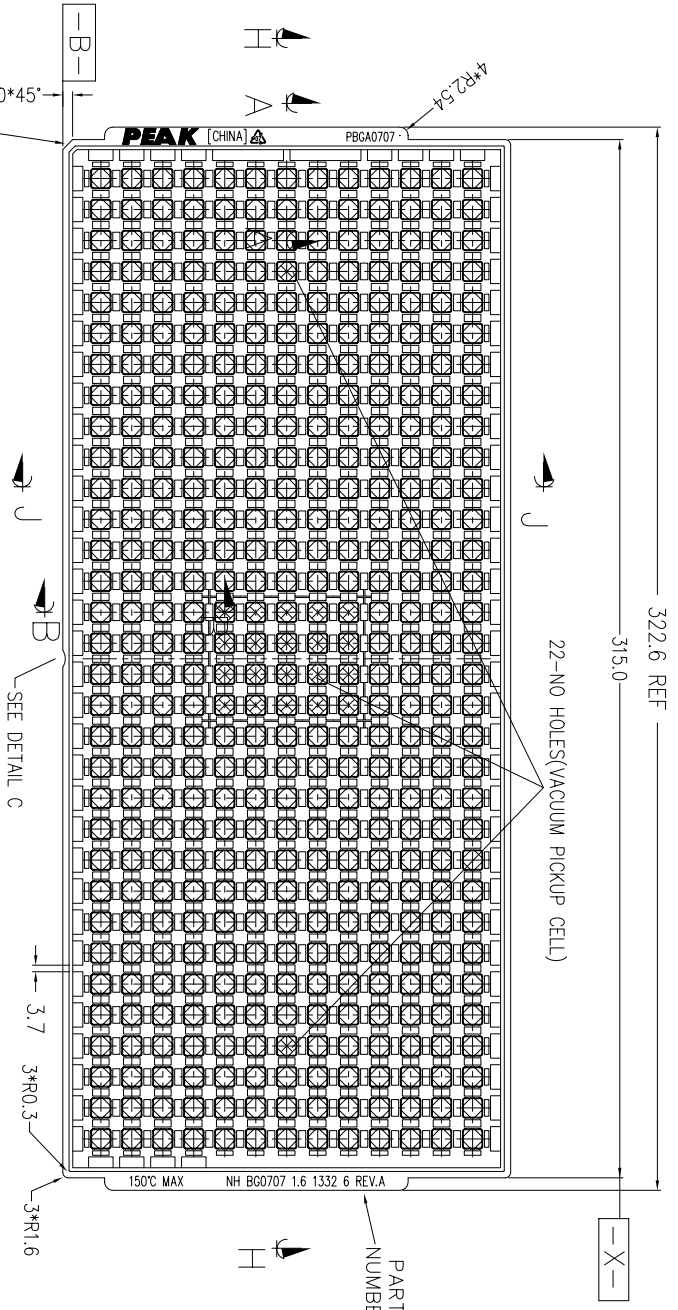
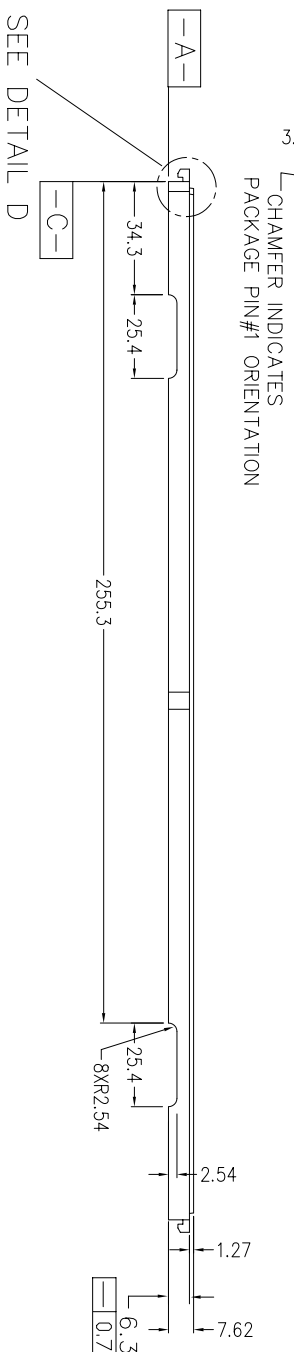


RECYCLE WITH SEMICYCLE
RECYCLE WITH SEMICYCLE



NOTES :

1. MATERIAL - PP6.
2. ALL DIMENSIONS ARE IN MILLIMETERS.
3. TOLERANCES - X.X=±0.25
- X.XX=±0.13
- UNLESS OTHERWISE SPECIFIED.
4. ESD - SURFACE RESISTIVITY
- 10⁵ TO 10¹¹ OHMS/SQ.
5. FOR PACKAGE - BGA7X7,
TOTAL THICKNESS 1.6 MAX.
6. PART NO. : NH BGO707 1.6 1332 6 REV.A
(PLEASE INDICATE ON PURCHASE ORDER).



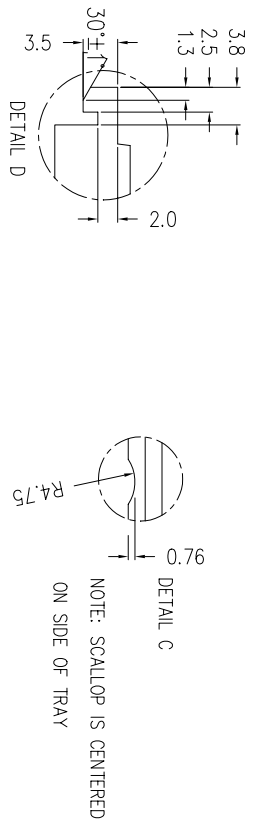
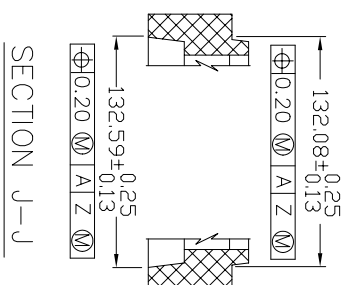
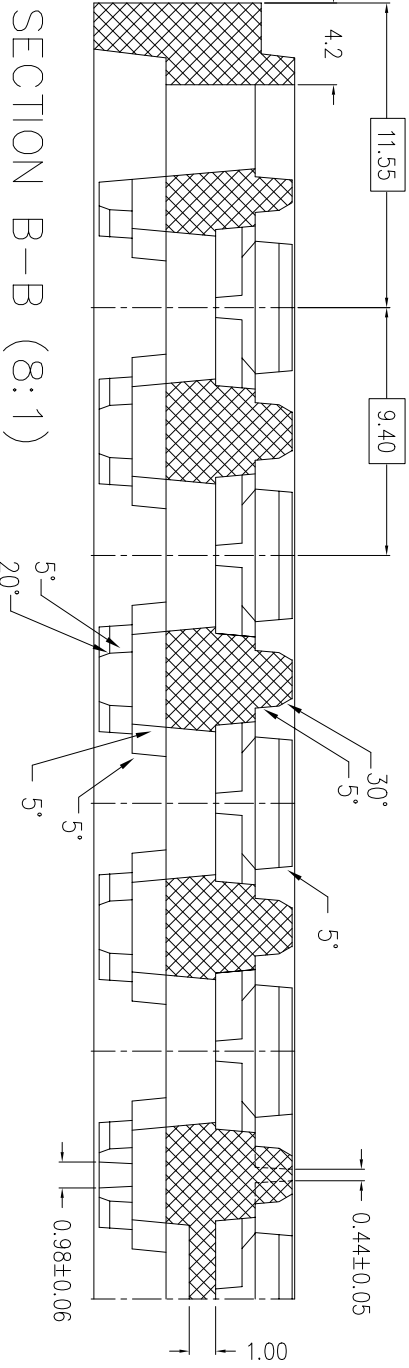
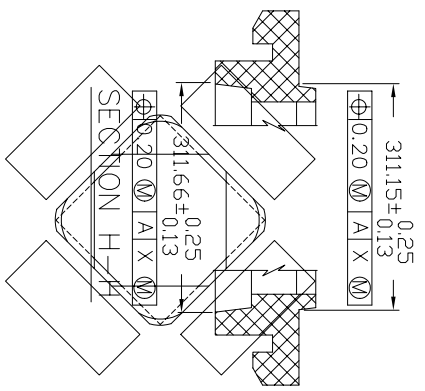
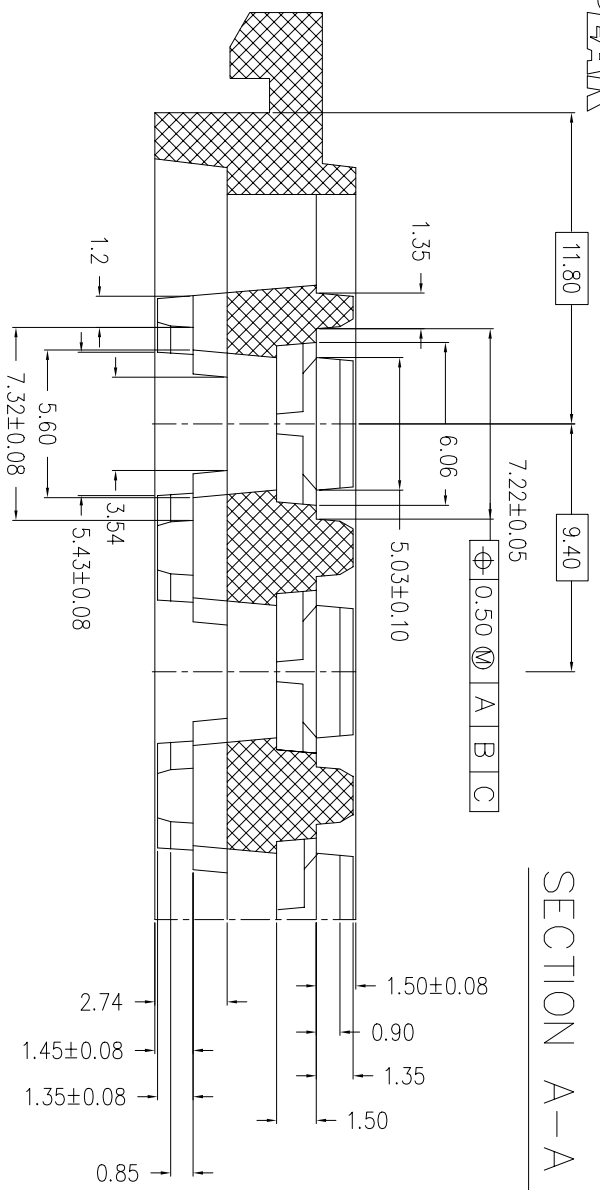
PATENT PENDING

PEAK PLASTIC & METAL PRODUCTS INT'L LTD.

REV. NO.	ECN #	DESCRIPTION	DATE	THIS DOCUMENT CONTAINS INFORMATION PROPRIETARY TO PEAK PLASTIC & METAL PRODUCTS INTERNATIONAL. REPRODUCTION DISCLOSEURE OR USE OF THIS DOCUMENT IS EXPRESSLY PROHIBITED EXCEPT OTHERWISE AGREED UPON IN WRITTING.	DRAWN BY : Wang	PAGE 1 OF 2	CUSTOMER : PEAK
3	P-00918	CHANGE SURFACE RESISTIVITY	1 FEB 99		CHECKED BY :	DATE : 1 FEB 99	
2	P-00747	CHANGE STRUCTURE & PART NO.	9 MAR 98		APPROVED BY :	DATE : 1 FEB 99	
1	P-00743	ADD PP1 MATERIAL	6 FEB 98		APPROVED BY :	DATE : 1 FEB 99	
0		RELEASED FOR PRODUCTION	8 NOV 97		DO NOT SCALE DRAWING	CODE : CSA04253	
							DWG NO. : NH BGO707 1.6 1332 6 REV.A
							REV. 3

PEAK

SECTION A-A (8:1)



PATENT PENDING

REV. NO.	ECN #	DESCRIPTION	DATE
3	P-00918	CHANGE SURFACE RESISTIVITY	1 FEB 99
2	P-00747	CHANGE STRUCTURE & PART NO.	9 MAR 98
1	P-00743	ADD PP-1 MATERIAL	6 FEB 98
0		RELEASED FOR PRODUCTION	8 NOV 97

THIS DOCUMENT CONTAINS INFORMATION PROPRIETARY TO PEAK PLASTIC & METAL PRODUCTS INTERNATIONAL LIMITED. REPRODUCTION DISCLOSURE OR USE OF THIS DOCUMENT IS EXPRESSLY PROHIBITED EXCEPT OTHERWISE AGREED UPON IN WRITING.

DRAWN BY :	WANG	PAGE 2 OF 2
CHECKED BY :		DATE : 1 FEB 99
APPROVED BY :		DATE : 1 FEB 99
DO NOT SCALE DRAWING		DATE : 1 FEB 99
		CODE : CSA04253

PEAK PEAK PLASTIC & METAL PRODUCTS INT'L LTD.

CUSTOMER : PEAK
 TITLE : NH BG0707 1.6 1332 6 REV.A
 DWG NO. : NH BG0707 1.6 1332 6 REV.A
 REV. 3