

isc N-Channel MOSFET Transistor

IRF640

DESCRIPTION

- Drain Current  $-I_D = 18A @ T_C = 25^\circ C$
- Drain Source Voltage-  
:  $V_{DSS} = 200V (Min)$
- Static Drain-Source On-Resistance  
:  $R_{DS(on)} = 0.18 \Omega (Max)$
- Fast Switching Speed
- Low Drive Requirement

APPLICATIONS

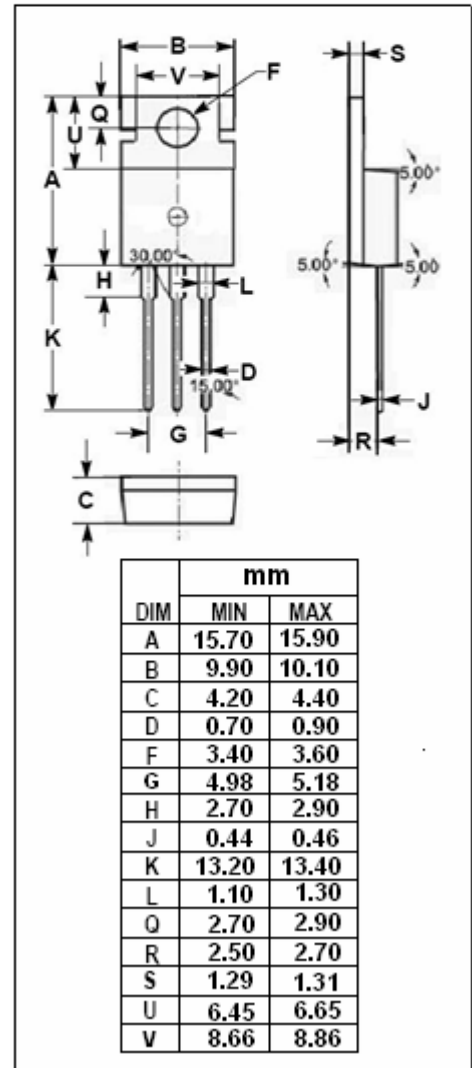
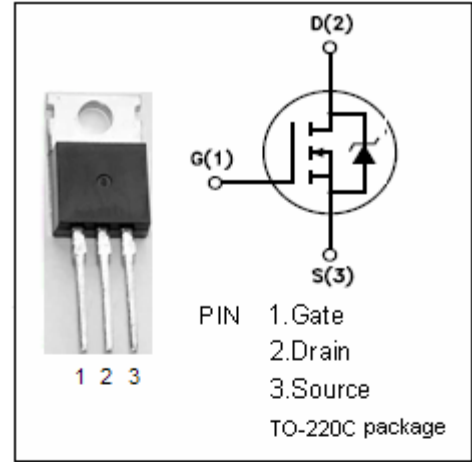
- Designed for low voltage, high speed power switching applications such as switching regulators, converters, solenoid and relay drivers.

ABSOLUTE MAXIMUM RATINGS( $T_a = 25^\circ C$ )

SYMBOL	PARAMETER	VALUE	UNIT
$V_{DSS}$	Drain-Source Voltage ( $V_{GS} = 0$ )	200	V
$V_{GS}$	Gate-Source Voltage	$\pm 20$	V
$I_D$	Drain Current-continuous@ $T_C = 25^\circ C$	18	A
$P_{tot}$	Total Dissipation@ $T_C = 25^\circ C$	125	W
$T_j$	Max. Operating Junction Temperature	150	$^\circ C$
$T_{stg}$	Storage Temperature Range	-55~150	$^\circ C$

THERMAL CHARACTERISTICS

SYMBOL	PARAMETER	MAX	UNIT
$R_{th j-c}$	Thermal Resistance, Junction to Case	1.0	$^\circ C/W$
$R_{th j-a}$	Thermal Resistance, Junction to Ambient	62.5	$^\circ C/W$



**isc N-Channel Mosfet Transistor****IRF640****• ELECTRICAL CHARACTERISTICS (T<sub>C</sub>=25°C)**

SYMBOL	PARAMETER	CONDITIONS	MIN	MAX	UNIT
V <sub>(BR)DSS</sub>	Drain-Source Breakdown Voltage	V <sub>GS</sub> = 0; I <sub>D</sub> = 0.25mA	200		V
V <sub>GS(th)</sub>	Gate Threshold Voltage	V <sub>DS</sub> = V <sub>GS</sub> ; I <sub>D</sub> = 0.25mA	2	4	V
R <sub>DS(on)</sub>	Drain-Source On-stage Resistance	V <sub>GS</sub> =10V; I <sub>D</sub> = 10A		0.18	Ω
I <sub>GSS</sub>	Gate Source Leakage Current	V <sub>GS</sub> = ±20V; V <sub>DS</sub> = 0		±100	nA
I <sub>DSS</sub>	Zero Gate Voltage Drain Current	V <sub>DS</sub> = 200V; V <sub>GS</sub> = 0		200	uA
V <sub>SD</sub>	Diode Forward Voltage	I <sub>F</sub> = 18A; V <sub>GS</sub> =0		2.0	V