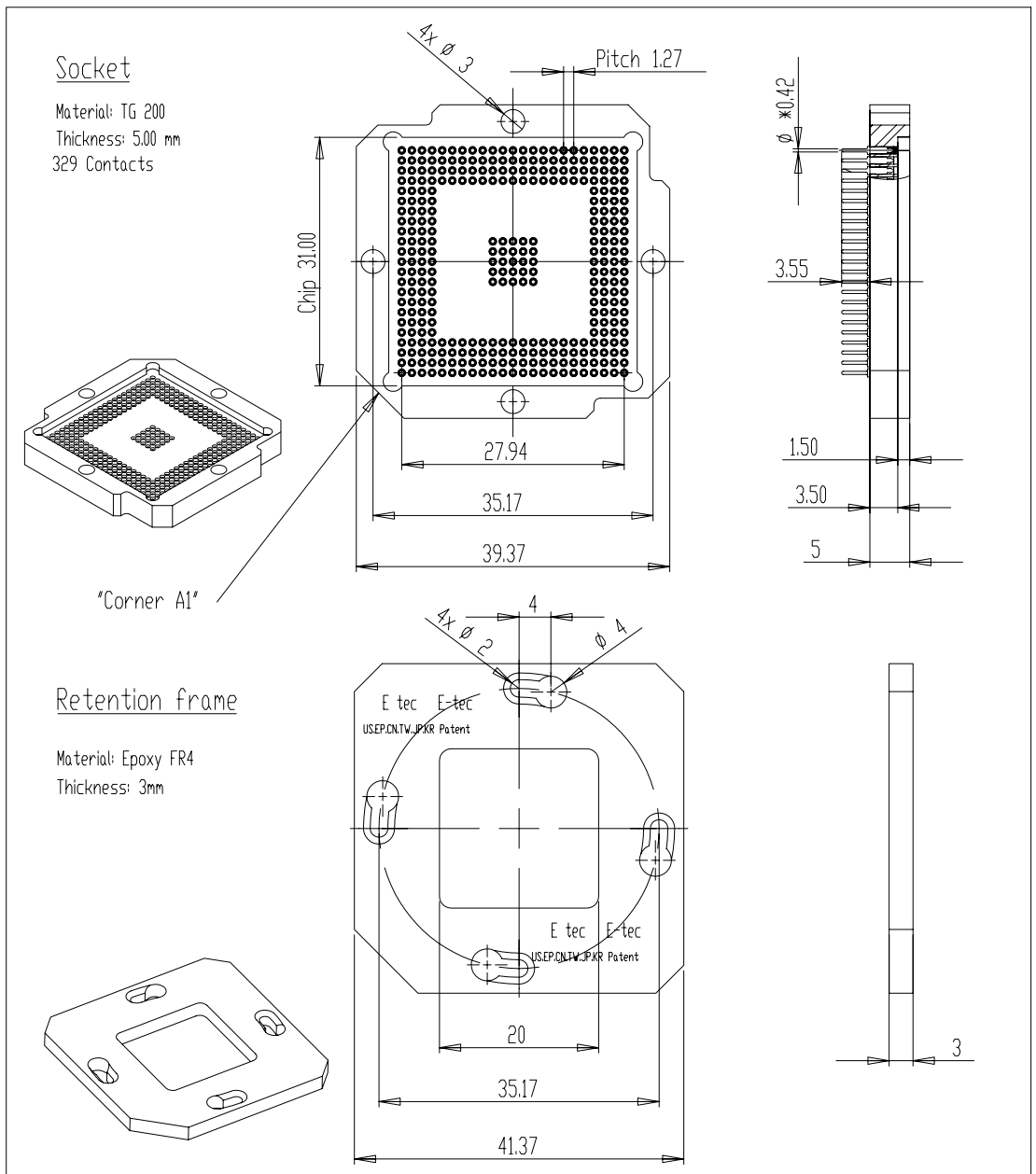
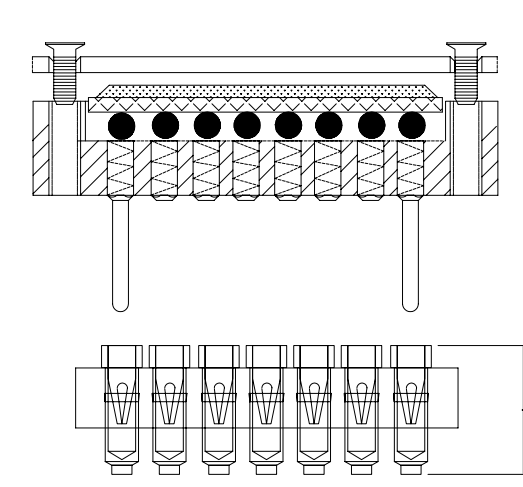


THE DRAWINGS AND INFORMATION CONTAINED HEREIN ARE THE EXCLUSIVE PROPERTY OF ACTEL.
 THE INFORMATION, DRAWINGS AND DESIGN CONCEPTS CONTAINED HEREIN ARE CONFIDENTIAL/PROPRIETARY, SHALL
 BE MAINTAINED IN STRICT CONFIDENCE, AND SHALL NOT BE RELEASED TO ANY THIRD PARTY WITHOUT THE EXPRESS
 WRITTEN PERMISSION OF ACTEL.

ECN NO.	REV.	DESCRIPTION OF CHANGE	EFFECTIVE DATE	ORIGINATOR
2007378	0	initial	06/20/2007	Lijie Zhao



ASSEMBLY FLOW
 ↓
 Retention Frame
 ↓
 BGA PACKAGE
 ↓
 BGA SOCKET
 SE-BGG329-A
 ↓
 BGA ADAPTER
 SOCKET
 (see Sm-BG329-B)
 ↓
 PCB BOARD



Torque Limiting Screw Driver

SOCKET TO PCB(solder Joints)
 Solder past thickness need to be at least 0.20mm(or0.008 inch)
 in order to have reliable solder joint

- Note: Dim: mm Please see detail drawing for part number
- To remove BGA socket from adapter socket, Use removal tool from Mill-Max
 - Mill-Max phone: 516-922-6000
 - Refer E-Tec "Screw Lock Type Instruction" for more infomation.
 - Must use torque limiting screw driver to tighten screws (refer Mountz minimaster 020074 gold, preset 7cN.m/10ozf.in).
- Under torque limit tighten could fail continuity and over torque limit tighten could crack package .

Rév.1	Changement diamètre 0.42 au lieu de 0.42					L.G 19.06.07
UNLESS OTHERWISE SPECIFIED: DIMENSIONS ARE IN MILLIMETERS SURFACE FINISH GENERAL TOLERANCES: ±0.10 LINEAR ANGULAR:		Remark: BGA Twist lock socket, 329 pins, pitch 1.27mm, matrix 23x23, gold-gold with retention frame PF 1.50 mm basic system 24x24 *remplace rév.0				
Modification	Visa	Date	Drawn by	Date	Name	
DRAWN	*1	L.G	19.06.07	FAI	17.05.04	WWW.e-tec.com
CHK'D						TITLE: BPW329-1270-23AB55
APPV'D		K.S	19.06.07			Echelle: 1.5:1
MFG						DWG NO. BPW0329-12-09705-23ABA
QA						MATERIAL: A4V
The information contained in this drawing is proprietary to E-tec and shall not be reproduced or disclosed in whole or in part or used for any design or manufacture except the such user possesses direct, written authorization from E-tec						REVISION
WEIGHT:						SHEET 1 OF 1

E-TEC PART#: BPW329-1270-23AB55

UNLESS OTHERWISE SPECIFIED DIMENSIONS ARE IN MILLIMETERS DECIMAL X.X ±0.10 X.XX ±0.05 X.XXX ±0.03		PROJECTION 	ACTEL CORPORATION 2061 Stierlin Court Mountain View, CA 94043-4655	
APPROVALS DRAWN Lijie Zhao		DATE 06/20/2007		
MATERIAL SEE NOTES		TITLE SE-BGG329-A, E-tec lead free prototype socket drawing for BG329 and BGG329 packages		
FINISH SEE NOTES		VENDOR NAME: E-TEC ACTEL DWG. NUMBER 1-07-09063 REV 0		
DO NOT SCALE DRAWING		VENDOR SID(PART) NUMBER B BPW329-1270-23AB55 VENDOR DWG. NUMBER REV		
		Actel Part#: SE-BGG329-A SCALE: NONE SHEET 1 OF 1		

E-TEC PATENTS PENDING