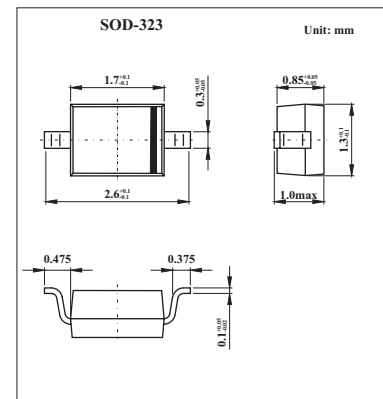


Band-switching diode

BA592

■ Features

- Small plastic SMD package
- Low diode capacitance
- Low diode forward resistance
- Small inductance.

■ Absolute Maximum Ratings $T_a = 25^\circ\text{C}$

Parameter	Symbol	Conditions	Min	Max	Unit
Continuous reverse voltage	V_R			30	V
Continuous forward current	I_F			100	mA
Total power dissipation	P_{tot}	$T_s = 90^\circ\text{C}$		500	mW
Storage temperature	T_{stg}		-65	+150	$^\circ\text{C}$
Junction temperature	T_j		-65	+150	$^\circ\text{C}$
thermal resistance from junction to soldering point	R_{thj-s}			120	K/W

■ Electrical Characteristics $T_a = 25^\circ\text{C}$

Parameter	Symbol	Conditions	Min	Typ	Max	Unit
Forward voltage	V_F	$I_F = 10\text{ mA}$			1	V
Reverse current	I_R	$V_R = 20\text{ V}$			20	nA
Diode capacitance	C_d	$V_R = 1\text{ V}; f = 1\text{ MHz}; \text{note 1}$		0.92	1.4	pF
		$V_R = 3\text{ V}; f = 1\text{ MHz}; \text{note 1}$	0.6	0.85	1.1	
Diode forward resistance	r_D	$I_F = 3\text{ mA}; f = 100\text{ MHz}; \text{note 1}$		0.45	0.7	Ω
		$I_F = 10\text{ mA}; f = 101\text{ MHz}; \text{note 1}$		0.36	0.5	
Reverse resistance	1/gp	$V_R = 1\text{ V}; f = 100\text{ MHz}; \text{note 1}$		100		K Ω
Series inductance	L_s			2		nH

Note

1. Guaranteed on AQL basis; inspection level S4, AQL 1.0.

■ Marking

Marking	A2
---------	----