



Frontier Electronics Corp.

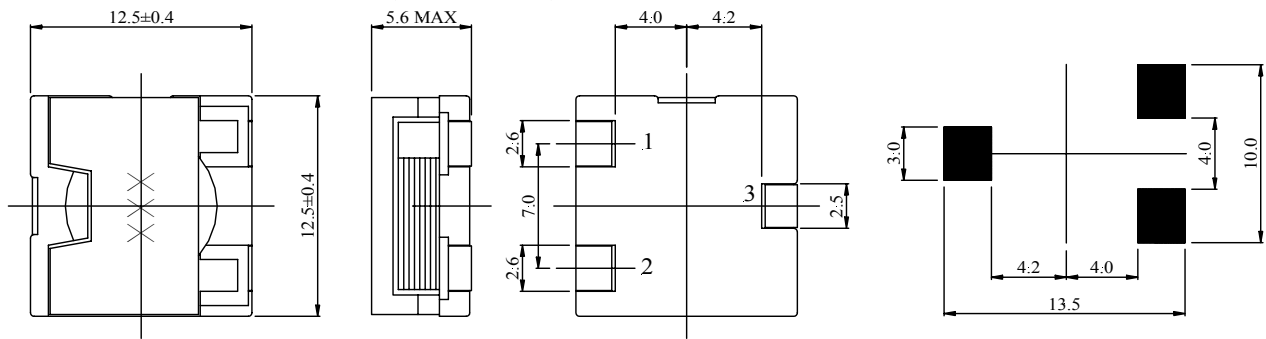
667 E. COCHRAN STREET, SIMI VALLEY, CA 93065
 TEL: (805) 522-9998 FAX: (805) 522-9989
 E-mail: frontiersales@frontierusa.com
 Web: frontierusa.com

SMD Power Choke—CSH1260S series

A. Electrical specifications:

Part No.	Mark	L (uH) ± 20%	Test Freq.	DCR (mΩ max.)	I Sat. (A)	I rms. (A)
CSH1260S-1R5M	1R5	1.50	100KHz	2.50	14.0	16.5
CSH1260S-2R5M	2R5	2.50	100KHz	3.40	10.0	15.5
CSH1260S-4R0M	4R0	4.00	100KHz	5.40	8.3	12.5
CSH1260S-6R0M	6R0	6.00	100KHz	8.00	6.7	9.9
CSH1260S-8R2M	8R2	8.00	100KHz	11.4	5.8	8.2
CSH1260S-100M	100	10.0	100KHz	13.5	5.0	7.6

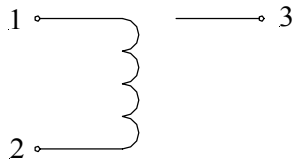
B. Mechanical dimensions: (Unit: mm)



Mechanical dimensions

Land pattern

C. Schematics:



D. Features:

1. Tolerance: M: ± 20%, L: ± 15%, K: ± 10%.
2. Operating temperature: -30°C TO +100°C.
3. Inductance measured on the HP4284A LCR meter.
4. DCR measured on the 502BC milli-ohm meter.
5. Inductance drops no more than 25% at rated current applied or temperature increases $\Delta t < 40^\circ\text{C}$.
6. Flat stack wire wound perpendicular to the center of the core.
7. Inductance and Current range:
 - a.) CSH1260S: From 1.50uH(16.5A) to 10.0uH(7.6A).

Note: *RoHS compliant; for the ROHS parts, we add “-LFR” at the end of the P/N.*



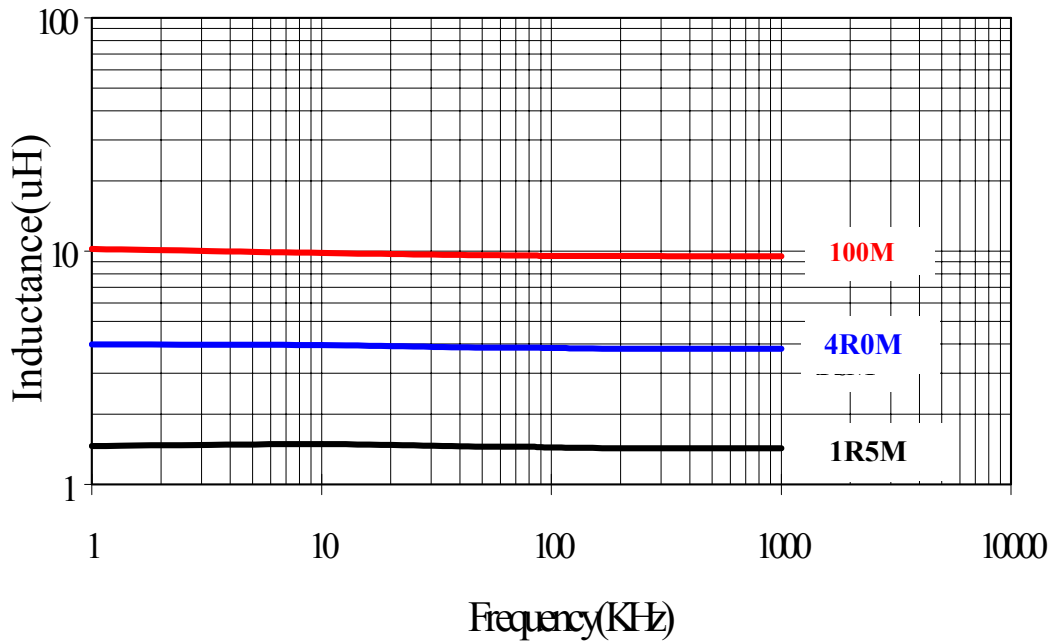
Frontier Electronics Corp.

667 E. COCHRAN STREET, SIMI VALLEY, CA 93065
TEL: (805) 522-9998 FAX: (805) 522-9989
E-mail: frontiersales@frontierusa.com
Web: frontierusa.com

SMD Power Choke—CSH1260S series

D. Characteristic curve:

1. Typical L vs. Frequency:



2. Typical L vs. DC Current:

