

INTRODUCTION:

Adam Tech ADC Series DC Power Jacks are a complete line of miniature and sub-miniature power jacks primarily used for the transmission of wall current transformed to DC power, for detached and hand held instruments. Adam Tech power jacks are manufactured with a variety of center pin sizes for all standard applications including 1.00mm, 1.30mm, 2.00mm and 2.50mm. Our contact is designed using a wide spring grade plated copper alloy for exceptional plug retention and low contact resistance.

FEATURES:

- Low Profile designs
- Superior contact system
- Exceptional plug retention
- Choice of Center pin sizes
- Hi Temp Versions
- Hi Current Versions

MATING PLUGS:

All industry standard 1.00mm, 1.30mm, 2.00mm, 2.35mm and 2.50mm Plugs.

SPECIFICATIONS:

Material:

Standard insulator: PBT Glass reinforced, rated UL94V-0
 Optional Hi-Temp insulator: Nylon 6T, rated UL94V-0
 Insulator Color: Black
 Center Pin: Brass, Nickel plated
 Contacts: Copper alloy

Contact Plating:

Silver over nickel underplate

Electrical:

Operating voltage: 12V DC max.
 Current rating: 1 Amp max.
 Contact resistance: 30 mΩ max. initial
 Insulation resistance: 50 MΩ min.
 Dielectric withstanding voltage: 250V AC for 1 minute

Mechanical:

Insertion force: 3 kg max.
 Withdrawal force: 0.3 kg min
 Mating durability: 5000 cycles min.

Temperature Rating:

Operating temperature: -25°C to +85°C
 Soldering process temperature:
 Standard insulator: 235°C
 Hi-Temp insulator: 260°C

PACKAGING:

Anti-ESD plastic bags or Tape and Reel

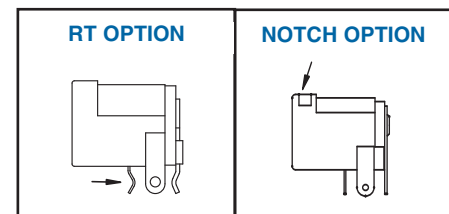
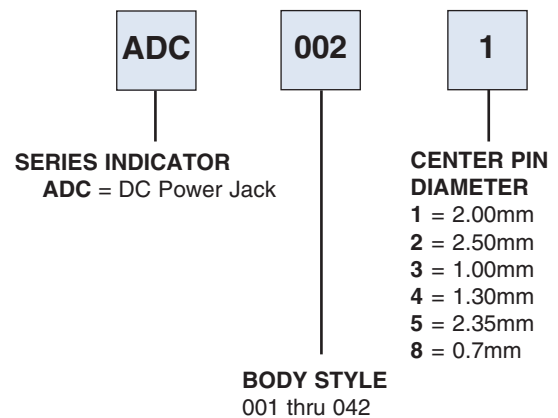
APPROVALS AND CERTIFICATIONS:

UL Recognized File No. E224053
 CSA Certified File No. LR1578596

HI-TEMP
INSULATOR
 AVAILABLE



ORDERING INFORMATION



OPTIONS:

Add designator(s) to end of part number

RT = PC Board Retention Feature
 (Type 007 & 009 only)

HT = Hi-Temp insulator for Hi-Temp soldering processes up to 260°C

N = Notch option, (ADC-002 only)

ADCH = DC Power Jack Hi-Current 5 Amp Version