

# HIGH FREQUENCY CYLINDRICAL TYPE MICROPROCESSOR CRYSTAL

AB308



RoHS  
Compliant



8.8 x ø3.2

## FEATURES:

- High stability by tight vacuum sealing
- Excellent resistant to vibration and shock
- Miniature high frequency cylinder type crystal

## APPLICATIONS:

- Suitable for wide range of application
- Clocks for microprocessor
- Consumer electronics
- Test equipment
- Computer peripherals

## STANDARD SPECIFICATIONS:

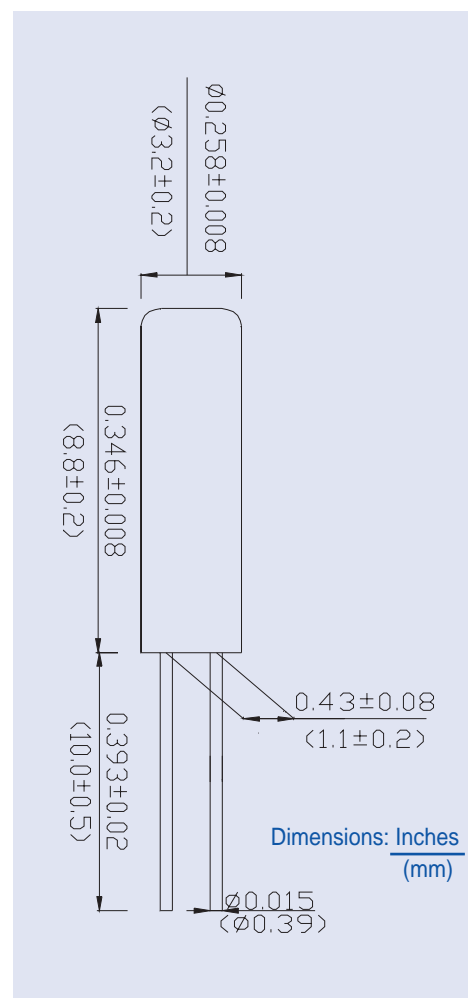
### PARAMETERS

ABRACON P/N	AB308 Series
Frequency	4.001 MHz to 90 MHz
Operation Mode	4.001 MHz - 32.0 MHz (Fundamental) 30.01 - 90.00 MHz (3rd - Overtone)
Operating Temperature	-10°C to + 60°C (see options)
Storage Temperature	- 40°C to + 85°C
Frequency Tolerance	± 30 ppm max. (see options)
Frequency Stability over the Operating Temp. (Ref to +25°C)	± 50 ppm max. (see options)
Equivalent Series Resistance (R1)	See Table 1
Shunt Capacitance C <sub>0</sub>	5pF max.
Load Capacitance C <sub>L</sub>	16pF (see options)
Drive Level	100µW max.
Aging at 25°C Per Year	± 5ppm max.
Insulation Resistance	500 MΩ min at 100Vdc ± 15V

TABLE 1: ESR

FREQUENCY (MHz)	ESR (Ω)
4.001-5.999	150
6.000-9.999	100
10.000-32.000	50
30.000-35.99(OT)	100
36.00-90.00(OT)	80

## OUTLINE DRAWING:



## OPTIONS AND PART IDENTIFICATION:

(Left blank if standard)

AB308 - Frequency -  - R -  -  -  -  -

Frequency
XX.XXXX MHz

Load Capacitance
Please specify CL in pF or S for Series (minimum 10pF)

ESR
RXXX (Value in Ω)

Operating Temp.	
E	-0°C to +70°C
B	-20°C to +70°C
D	-40°C to +85°C

Freq. Tolerance	
5	± 50 ppm

Mode	
F	Fund. AT>30MHz
FB	Fund BT>30MHz

Freq. Stability	
Y	± 30 ppm

