

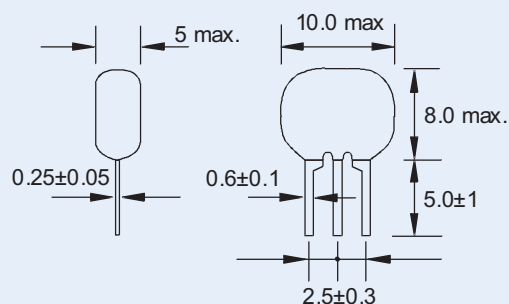
## ZTT SERIES

### ZTT SERIES

#### BUILT-IN LOAD CAPACITORS

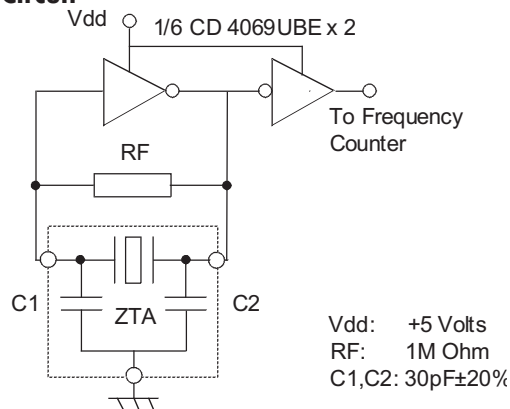
2MHz to 4.91MHz

#### ZTT Series 2MHz to 4.91MHz



#### Outline and Dimensions

#### Test Circuit



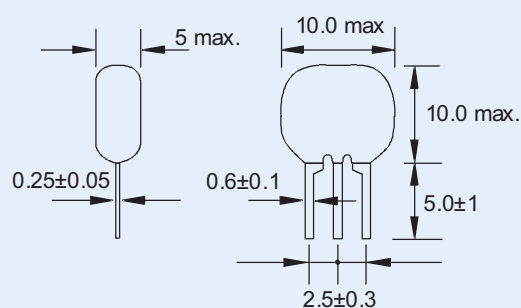
Vdd: +5 Volts  
RF: 1M Ohm  
C1,C2: 30pF±20%

### ZTT SERIES

#### BUILT-IN LOAD CAPACITORS

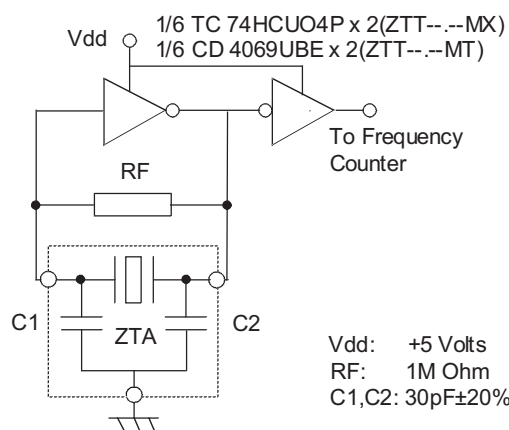
5MHz to 25MHz

#### ZTT Series 5.0MHz to 25.0MHz



#### Outline and Dimensions

#### Test Circuit



Vdd: +5 Volts  
RF: 1M Ohm  
C1,C2: 30pF±20%

#### Electrical characteristics

Part Number	Frequency Range	Frequency Accuracy at 25°C	Temperature Stability -20° to +80°C	Ageing Stability 10 years	Resonance Resistance (Ω) max.	Withstanding Voltage 5 s max.	Insulation Resistance (Ω) max.
ZTT---MG	2.0 to 2.99	±0.5%	±0.3%	±0.3%	80	100VDC	5x10 <sup>8</sup> Ω
ZTT---MG	3.0 to 3.49	±0.5%	±0.3%	±0.3%	50	100VDC	5x10 <sup>8</sup> Ω
ZTT---MG	3.5 to 4.99	±0.5%	±0.3%	±0.3%	30	100VDC	5x10 <sup>8</sup> Ω
ZTT---MT	5.0 to 6.99	±0.5%	±0.3%	±0.3%	30	100VDC	5x10 <sup>8</sup> Ω
ZTT---MT	7.0 to 13.0	±0.5%	±0.3%	±0.3%	25	100VDC	5x10 <sup>8</sup> Ω
ZTT---MX	13.01 to 25	±0.5%	±0.3%	±0.3%	25	100VDC	5x10 <sup>8</sup> Ω

(For --- insert frequency)