

25 Mil Pitch, IEEE 1284 Termination Network Resistor, Capacitor, Diode



Product is pictured larger than actual size to show detail

Vishay has upgraded the standard IEEE 1284 Thin Film technology Network, incorporating diodes for protecting the inputs/outputs from electro-static discharge (ESD).

The sophisticated circuit is housed in a standard QSOP, 28-pin package.

Uses include ECP/EPP parallel port terminations for PC peripherals, notebooks, desktops, workstations and servers. This is a guaranteed stock part.

FEATURES

- Lead (Pb)-free standard
- One sophisticated, integrated Thin Film technology solution
- Up-graded IEEE 1284 parallel port termination, pull-up with the addition of diodes for filtering on the parallel port
- Standard QSOP package (28 pins) - JEDEC mo-137AF
- 17 terminating lines
- Reduces total cost
- Increase board utilization
- Better performance over discretes



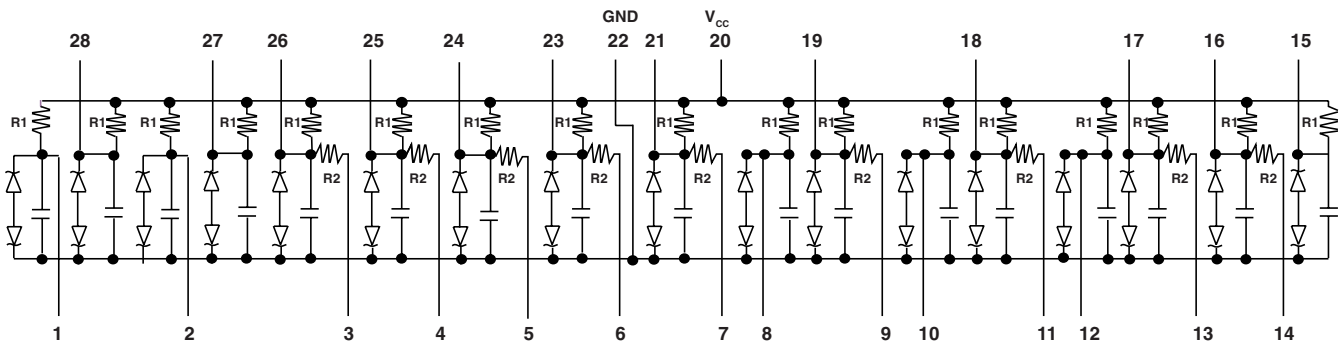
RoHS
COMPLIANT

STANDARD ELECTRICAL SPECIFICATIONS	
Absolute Tolerance (R)	± 10 %
Absolute Tolerance (C)	± 20 %
Power Rating	Per Resistor 100 mW Per Package 1 W
Signal Clamp Voltage	(+) Clamp > 6 V (-) Clamp < - 6 V
Maximum Leakage Current at V _{CC} Max	1 µA at 25 °C
Operating Temperature	0 °C to + 70 °C
Storage Temperature	- 65 °C to + 150 °C

MECHANICAL SPECIFICATIONS	
R/C Element	Polysilicon/Thin Film
Substrate Material	Silicon
Body	Molded Epoxy
Terminals	Copper Alloy
Plating	100% Sn Matte
Lead Coplanarity	0.005 Inches
Marking Resistance to Solvents	MIL-STD-202, Method 15
Flammability	UL94 V-0

RC NETWORKS

SCHEMATIC



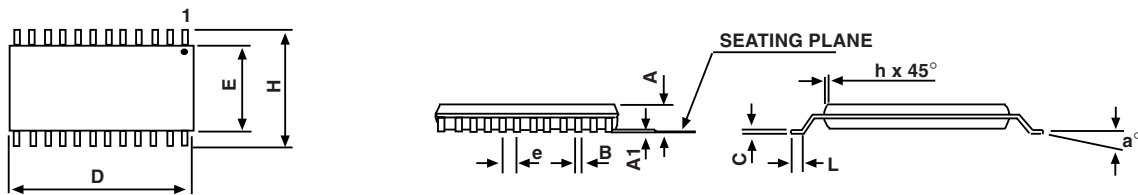


ESD PROTECTION		
	MAX.	MIN.
Peak Discharge Voltage at any I/O, Human Body Model, Method 3015 (1)	+ 8 kV	- 4 kV
In System Protection HBM (2)	+ 15 kV	- 8 kV
In System Protection, IEC 1000-4-2, Level 2 (2) (3)	+ 8 kV	- 4 kV
Channel Clamp Voltage at 8 kV ESD Pulses, HBM (1) (2)	+ 30 V	- 30 V

Notes

- (1) Human Body Model per MIL-STD-883, Method 3015 $C_{Discharge} = 100 \text{ pF}$, $R_{Discharge} = 1.5 \text{ kW}$ pin 20 at 5 V and pin 22 at ground
- (2) Pin 22 grounded, pin 20 to V_{CC} all other pins are open. ESD contact discharge between ground and Pins 1, 2, 8, 10, 12, 15, 16, 17, 18, 19, 21, 23 through 28, one at a time.
- (3) Standard IEC 1000-4-2 with $C_{Discharge} = 150 \text{ pF}$, $R_{Discharge} = 330 \text{ W}$ pin 20 at 5 V and pin 22 at ground

DIMENSIONS AND IMPRINTING in inches and millimeters



MODEL	A	A1	B	C	D	E	e	H	h	L	a°
Inches max.	0.068	0.008	0.012	0.010	0.394	0.157	0.025	0.244	0.016	0.038	8
Millimeters max.	1.727	0.203	0.305	0.254	10.008	3.988	0.635	6.198	0.406	0.889	

Note Mold flash not included in body dimensions.
JEDEC MO137 Package

AVAILABLE MODELS			
	R1 (Ω)	R2 (Ω)	C (pF)
VSSX1284A	4.7K	33	180
VSSX1284B	2.2K	33	220

GLOBAL PART NUMBER INFORMATION

Global Part Numbering: VSSX1284ATF

V	S	S	X	1	2	8	4	A	T	F
---	---	---	---	---	---	---	---	---	---	---

SPECIFY MODEL

VSSX1284A
or
VSSX1284B

PACKAGING

UF = TUBED

TAPE AND REEL
TF = full reels



Disclaimer

All product specifications and data are subject to change without notice.

Vishay Intertechnology, Inc., its affiliates, agents, and employees, and all persons acting on its or their behalf (collectively, "Vishay"), disclaim any and all liability for any errors, inaccuracies or incompleteness contained herein or in any other disclosure relating to any product.

Vishay disclaims any and all liability arising out of the use or application of any product described herein or of any information provided herein to the maximum extent permitted by law. The product specifications do not expand or otherwise modify Vishay's terms and conditions of purchase, including but not limited to the warranty expressed therein, which apply to these products.

No license, express or implied, by estoppel or otherwise, to any intellectual property rights is granted by this document or by any conduct of Vishay.

The products shown herein are not designed for use in medical, life-saving, or life-sustaining applications unless otherwise expressly indicated. Customers using or selling Vishay products not expressly indicated for use in such applications do so entirely at their own risk and agree to fully indemnify Vishay for any damages arising or resulting from such use or sale. Please contact authorized Vishay personnel to obtain written terms and conditions regarding products designed for such applications.

Product names and markings noted herein may be trademarks of their respective owners.