



Frontier Electronics Corp.

667 E. COCHRAN STREET, SIMI VALLEY, CA 93065

TEL: (805) 522-9998 FAX: (805) 522-9989

E-mail: frontiersales@frontierusa.com

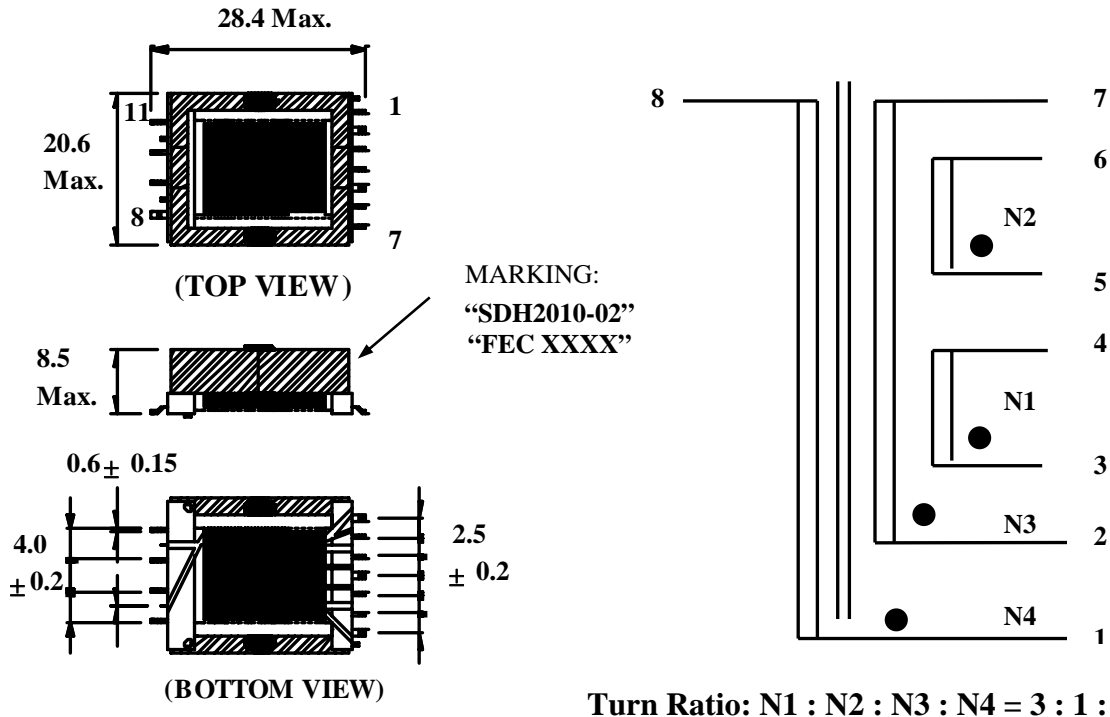
Web: <http://www.frontierusa.com>

CCFL Inverter Transformer—SDH2010-02

A. Electrical specification:

Part No.	Mark	Suitable Frequency	Max. Open Voltage	Max. Lamp Watt.	Efficiency
SDH2010-02	SDH2010-02	40KHz~200KHz	1800 V rms.	9W	78%

B. Schematics and Mechanical dimensions: (Unit: mm)



C. Electrical Data:

Winding	Start	Finish	L (@ 100KHz,1.0V)	DCR Ω (@25°C)
N1	3	4	7.8 uH ± 15 %	0.070 Max.
N2	5	6	1.0 uH Ref.	0.070 Max.
N3	2	7	8.0 uH ± 15 %	0.070 Max.
N4	1	8	155 mH ± 15 %	570 Max.

D. Insulation:

Term	Item	Spec.	Condition
Hi-Pot	Primary to Secondary	500 VAC / 1 Minute	@Cut off current=5mA
	Coils to Core	1000 VAC / 1 Minute	
Isolation	Coil to coil	100 MOHM Min.	@ 500 VDC

E. Features:

- Low profile height: Maximum 8.50mm.
- High efficiency.
- Surface mount.
- Suitable for standard IR re-flows soldering.

F. Uses:

- Car navigators with high luminance.
- Large LCD Panel.
- Large liquid crystal TVS.

Note: **RoHS compliant**; for the **ROHS** parts, we add "**-LFR**" at the end of the P/N.