
HD74HC160/HD74HC161/HD74HC162/ HD74HC163

Synchronous Decade Counter (Direct Clear)
Synchronous 4-bit Binary Counter (Direct Clear)
Synchronous Decade Counter (Synchronous Clear)
Synchronous 4-bit Binary Counter (Synchronous Clear)

REJ03D0579-0200
(Previous ADE-205-455)
Rev.2.00
Oct 11, 2005

Description

The HD74HC160 and the HD74HC162 are 4 bit decade counters, and the HD74HC161 and the HD74HC163 are 4 bit binary counters. All flip-flops are clocked simultaneously on the low to high to transition (positive edge) of the clock input waveform.

These counters may be preset using the load input. Presetting of all four flip-flops is synchronous to the rising edge of clock. When load is held low counting is disabled and the data on the A, B, C, and D inputs is loaded into the counter on the rising edge of clock. If the load input is taken high before the positive edge of clock the count operation will be unaffected.

All of these counters may be cleared by utilizing the clear input. The clear function on the HD74HC162 and HD74HC163 counters are synchronous to the clock. That is, the counters are cleared on the positive edge of clock while the clear input is held low.

The HD74HC160 and HD74HC161 counters are cleared asynchronously. When the clear is taken low the counter is cleared immediately regardless of the clock.

Two active high enable inputs Enable P and Enable T and a ripple carry output are provided to enable easy cascading of counters. Both enable inputs must be high to count. The Enable T input also enables the Ripple Carry output. When enabled, the Ripple Carry outputs a positive pulse when the counter overflows. This pulse is approximately equal in duration to the high level portion of the Q_A outputs. The Ripple Carry output is fed to successive cascaded stages to facilitate easy implementation of N-bit counters.

Features

- High Speed Operation: t_{pd} (Clock to Q) = 18 ns typ ($C_L = 50$ pF)
- High Output Current: Fanout of 10 LSTTL Loads
- Wide Operating Voltage: $V_{CC} = 2$ to 6 V
- Low Input Current: 1 μ A max
- Low Quiescent Supply Current: I_{CC} (static) = 4 μ A max ($T_a = 25^\circ\text{C}$)

• Ordering Information

Part Name	Package Type	Package Code (Previous Code)	Package Abbreviation	Taping Abbreviation (Quantity)
HD74HC160P HD74HC161P HD74HC162P HD74HC163P	DILP-16 pin	PRDP0016AE-B (DP-16FV)	P	—
HD74HC160FPEL HD74HC161FPEL HD74HC162FPEL HD74HC163FPEL	SOP-16 pin (JEITA)	PRSP0016DH-B (FP-16DAV)	FP	EL (2,000 pcs/reel)
HD74HC160RPEL HD74HC162RPEL HD74HC163RPEL	SOP-16 pin (JEDEC)	PRSP0016DG-A (FP-16DNV)	RP	EL (2,500 pcs/reel)
HD74HC161TELL	TSSOP-16 pin	PTSP0016JB-A (TTP-16DAV)	T	ELL (2,000 pcs/reel)

Note: Please consult the sales office for the above package availability.

Function Table

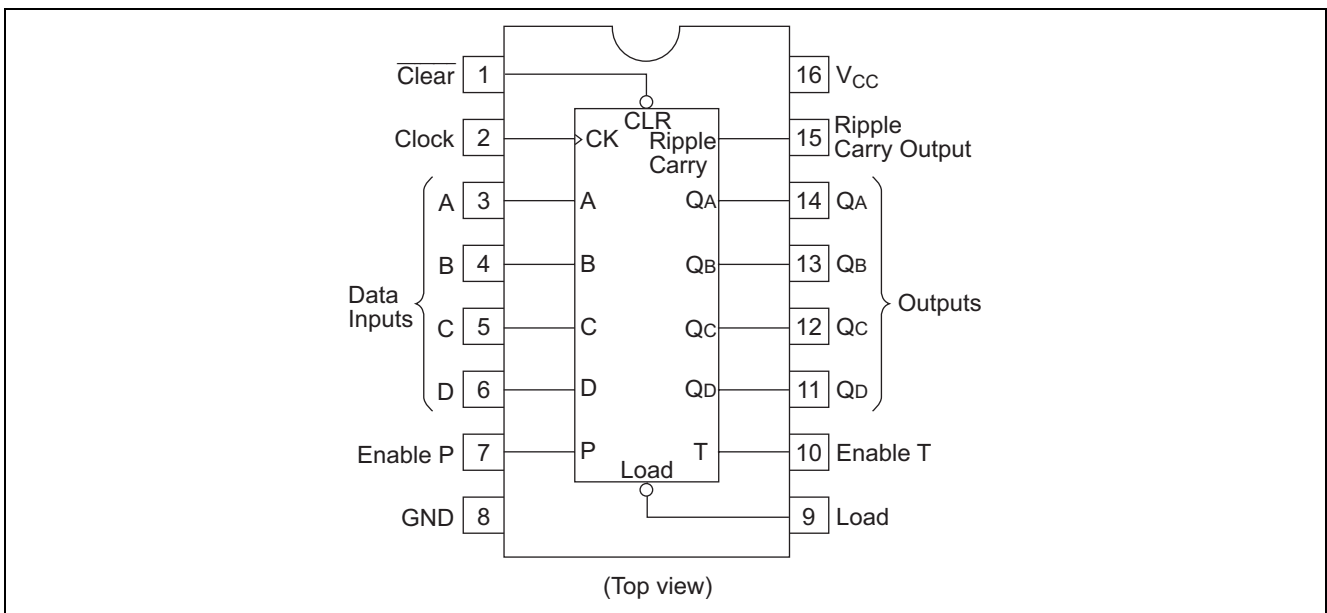
Clock	Inputs				Outputs
	Clear*1	Load	Enable P	Enable T	Q _n
	L	X	X	X	Reset-clear
	H	L	X	X	Load input data
	H	H	H	H	Count
	H	H	L	X	No count
	H	H	X	L	No count

H : High level L : Low level X : Irrelevant

Note: 1. 162 and 163 Only-160 and 161 are Asynchronous Clear Devices

	Decade Counter	Binary Counter
Asynchronous clear	HD74HC160	HD74HC161
Synchronous clear	HD74HC162	HD74HC163

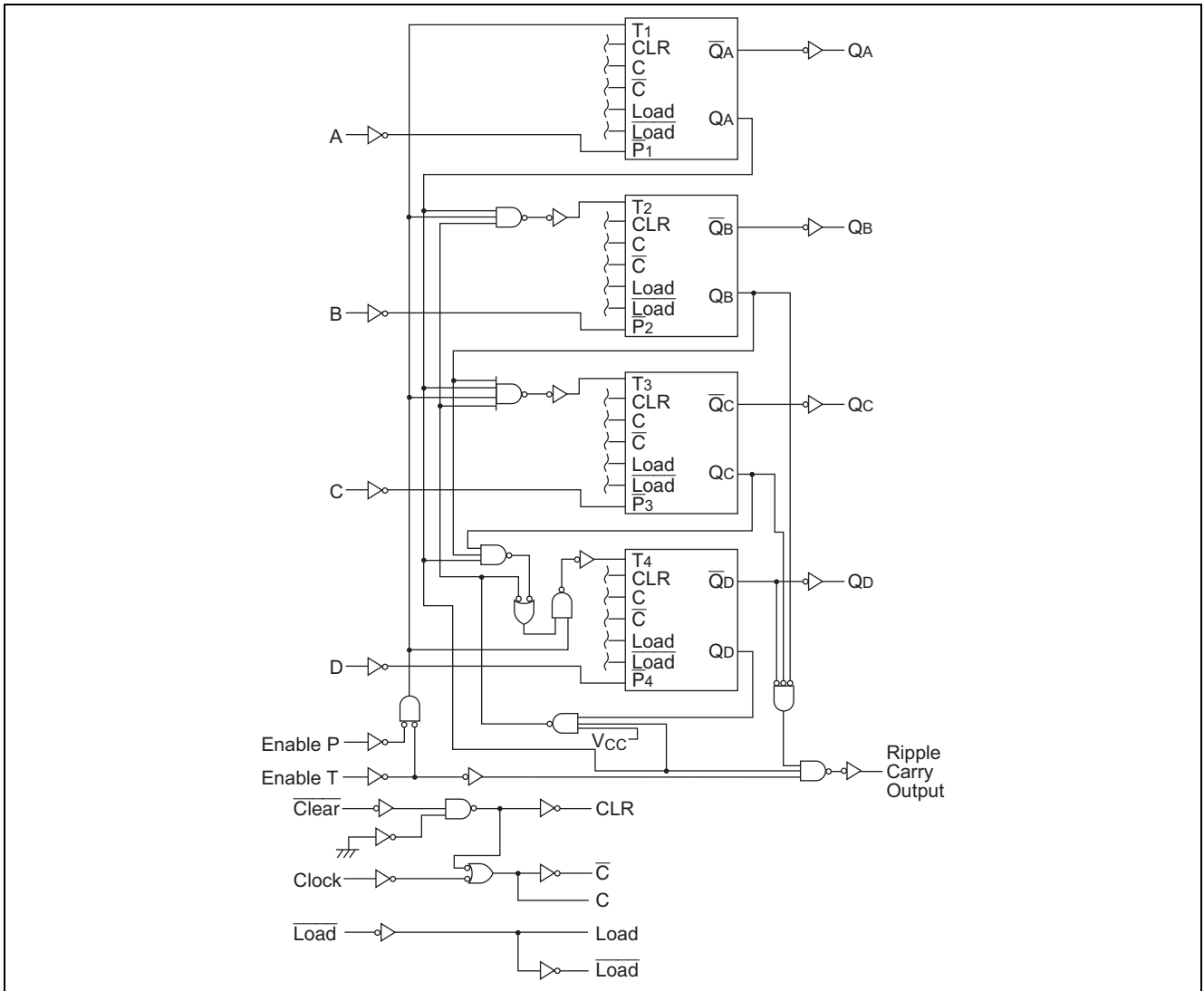
Pin Arrangement



Logic Diagram

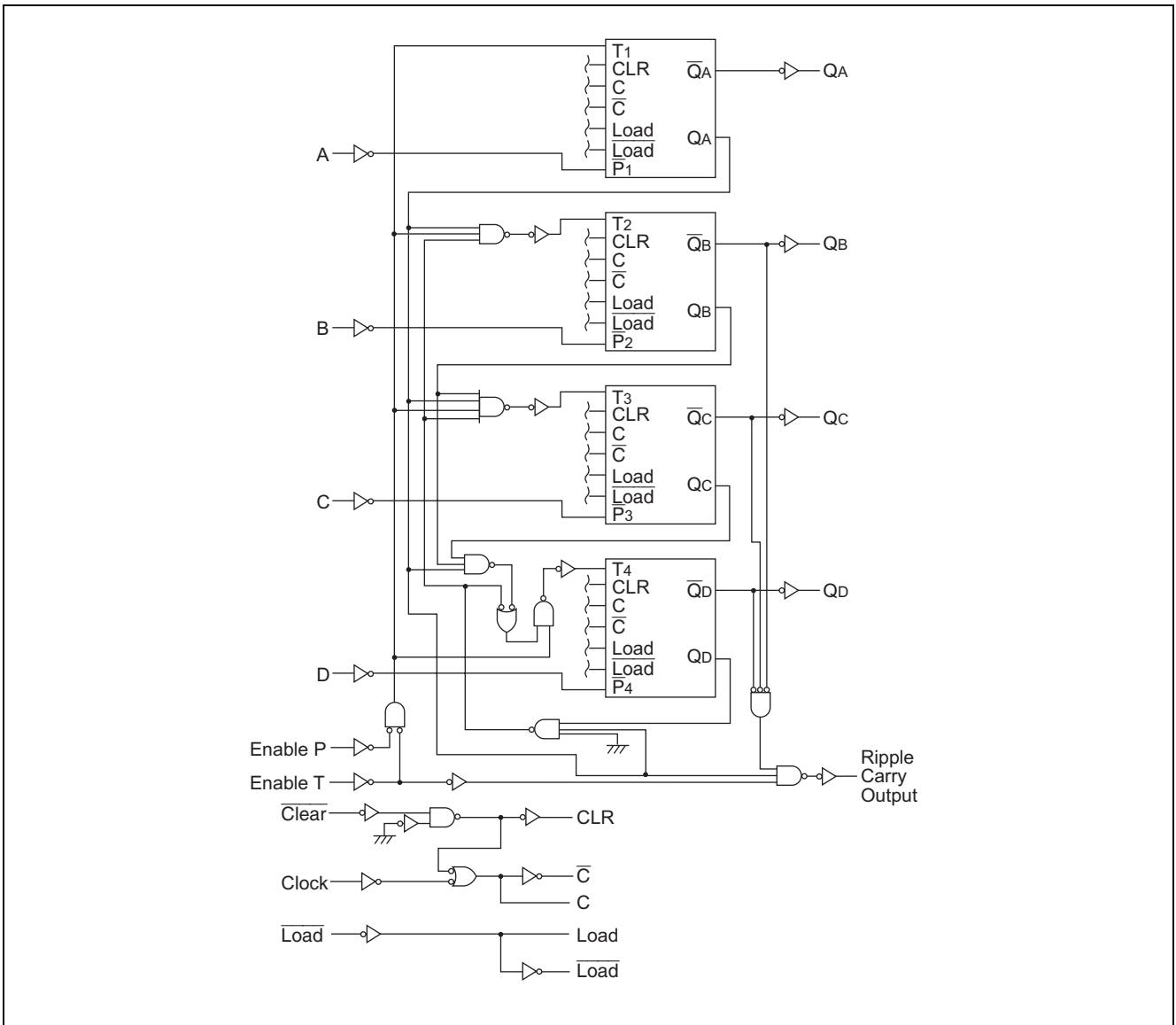
HD74HC160

Decade Counter with Asynchronous Clear



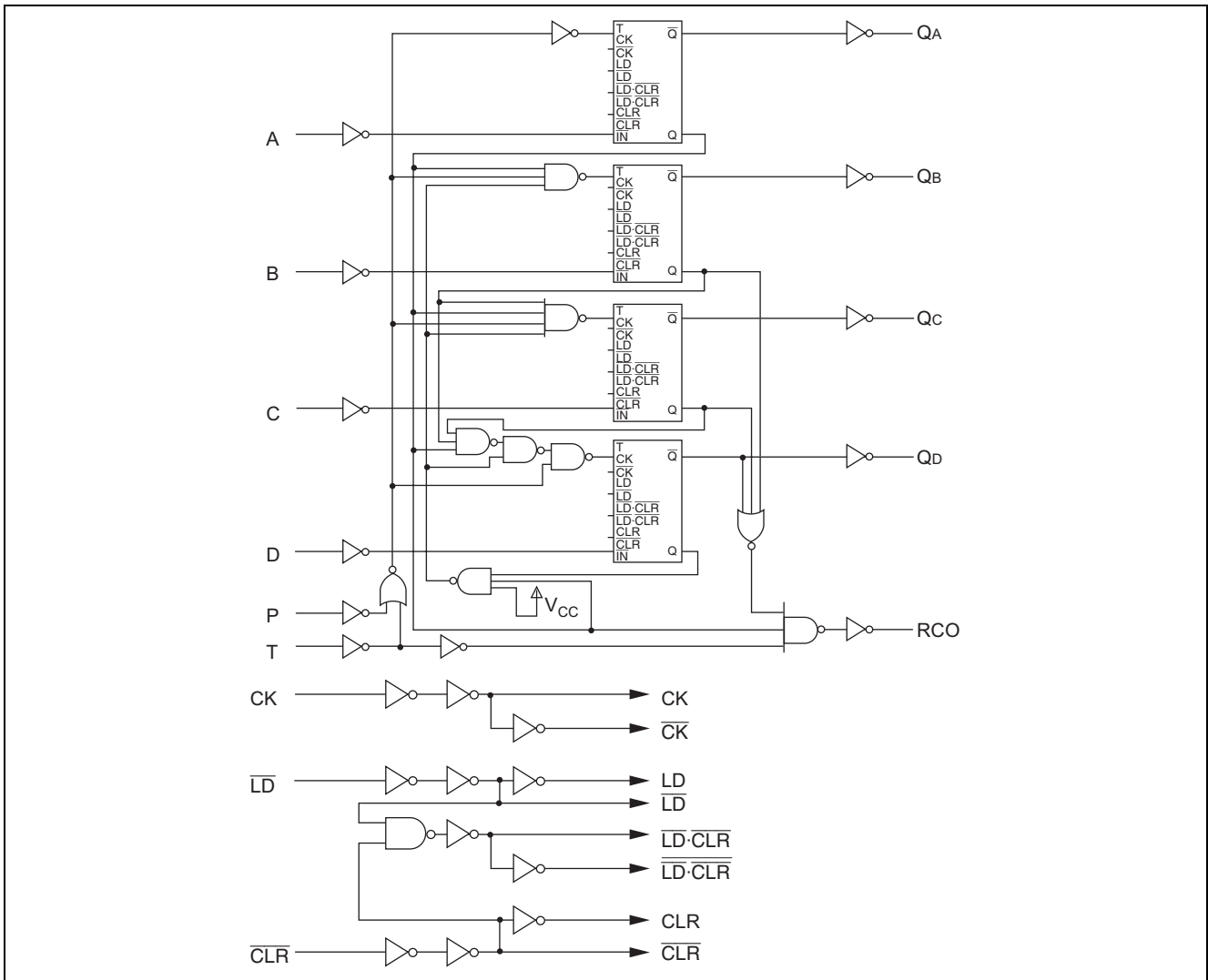
HD74HC161

4-bit Binary Counter with Asynchronous Clear



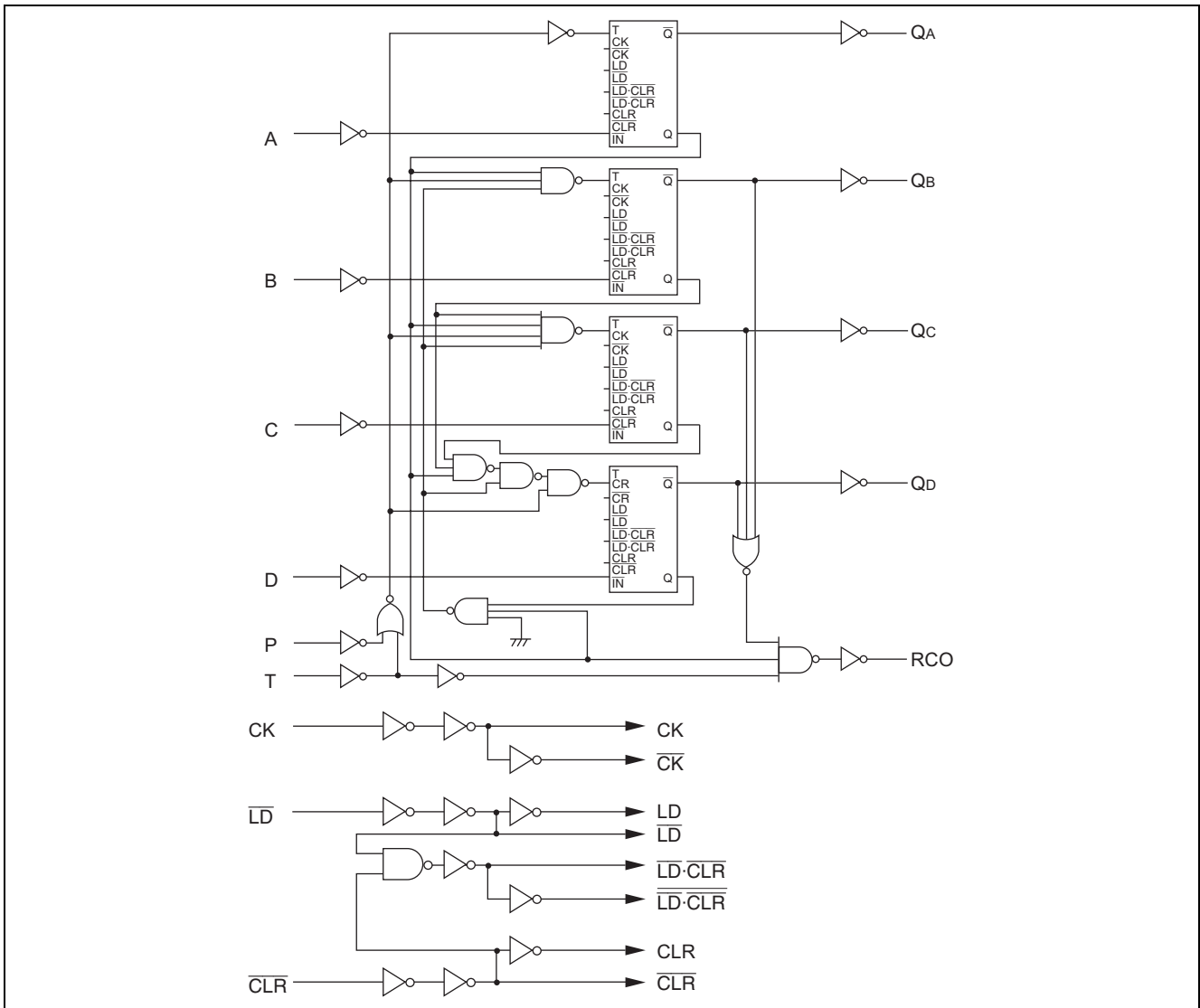
HD74HC162

Decade Counter with Synchronous Clear



HD74HC163

4-bit Binary Counter with Synchronous Clear

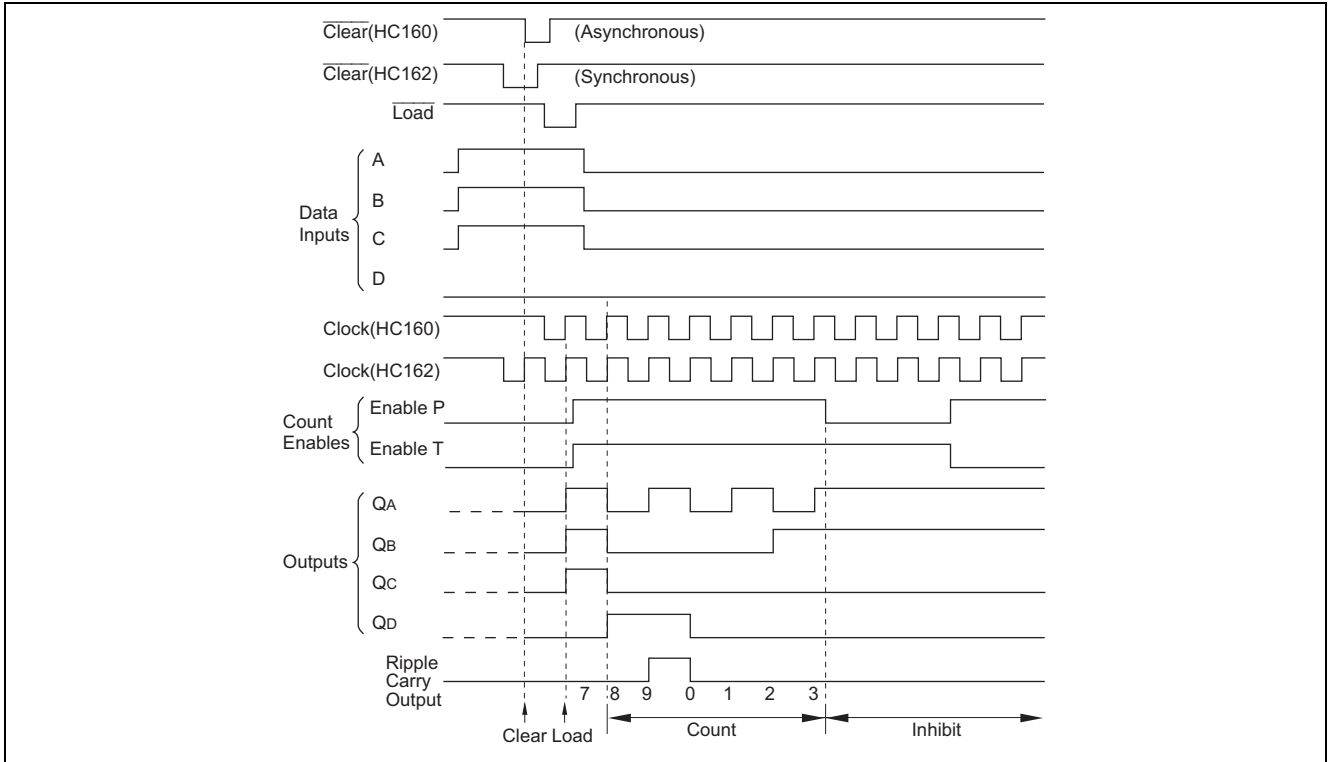


Timing Diagram

HD74HC160/HD74HC162

Sequence illustrated in waveforms.

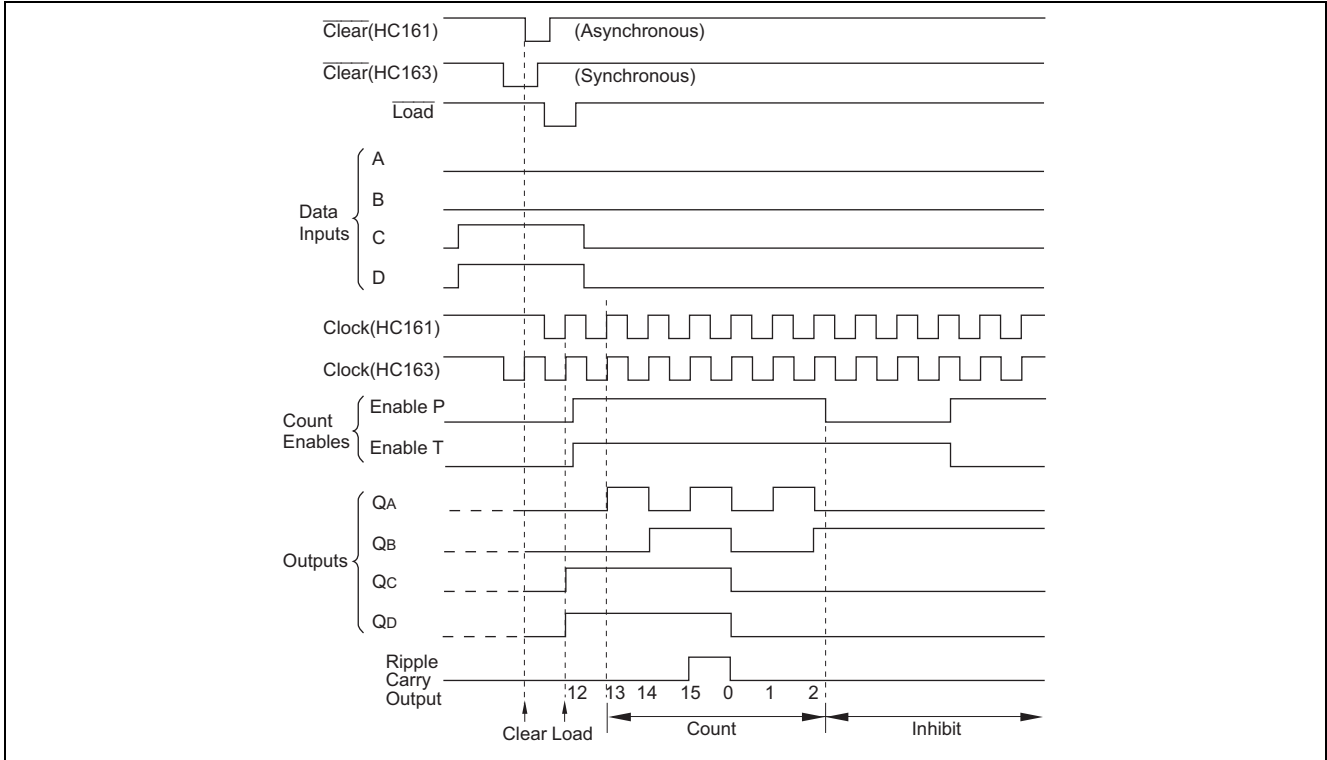
1. Clear outputs to zero.
2. Preset to BCD seven.
3. Count to eight, nine, zero, one, two and three.
4. Inhibit



HD74HC161/HD74HC163

Sequence illustrated in waveforms.

1. Clear outputs to zero.
2. Preset to binary twelve.
3. Count to thirteen, fourteen, fifteen, zero, one and two.
4. Inhibit



Absolute Maximum Ratings

Item	Symbol	Rating	Unit
Supply voltage range	V_{CC}	-0.5 to +7.0	V
Input voltage	V_{IN}	-0.5 to $V_{CC} + 0.5$	V
Output voltage	V_{OUT}	-0.5 to $V_{CC} + 0.5$	V
Output current	I_{OUT}	± 25	mA
DC current drain per V_{CC} , GND	I_{CC} , I_{GND}	± 50	mA
DC input diode current	I_{IK}	± 20	mA
DC output diode current	I_{OK}	± 20	mA
Power dissipation per package	P_T	500	mW
Storage temperature	T_{stg}	-65 to +150	°C

Note: The absolute maximum ratings are values, which must not individually be exceeded, and furthermore, no two of which may be realized at the same time.

Recommended Operating Conditions

Item	Symbol	Ratings	Unit	Conditions
Supply voltage	V_{CC}	2 to 6	V	
Input / Output voltage	V_{IN} , V_{OUT}	0 to V_{CC}	V	
Operating temperature	T_a	-40 to 85	°C	
Input rise / fall time ^{*1}	t_r , t_f	0 to 1000	ns	$V_{CC} = 2.0$ V
		0 to 500		$V_{CC} = 4.5$ V
		0 to 400		$V_{CC} = 6.0$ V

Note: 1. This item guarantees maximum limit when one input switches.

Waveform: Refer to test circuit of switching characteristics.

Electrical Characteristics

Item	Symbol	V_{CC} (V)	$T_a = 25^\circ\text{C}$			$T_a = -40$ to $+85^\circ\text{C}$		Unit	Test Conditions	
			Min	Typ	Max	Min	Max			
Input voltage	V_{IH}	2.0	1.5	—	—	1.5	—	V		
		4.5	3.15	—	—	3.15	—			
		6.0	4.2	—	—	4.2	—			
	V_{IL}	2.0	—	—	0.5	—	0.5	V		
		4.5	—	—	1.35	—	1.35			
		6.0	—	—	1.8	—	1.8			
Output voltage	V_{OH}	2.0	1.9	2.0	—	1.9	—	V	$V_{in} = V_{IH}$ or V_{IL}	$I_{OH} = -20$ μA
		4.5	4.4	4.5	—	4.4	—			$I_{OH} = -4$ mA
		6.0	5.9	6.0	—	5.9	—			$I_{OH} = -5.2$ mA
		4.5	4.18	—	—	4.13	—			
		6.0	5.68	—	—	5.63	—			
	V_{OL}	2.0	—	0.0	0.1	—	0.1	V	$V_{in} = V_{IH}$ or V_{IL}	$I_{OL} = 20$ μA
		4.5	—	0.0	0.1	—	0.1			
		6.0	—	0.0	0.1	—	0.1			
		4.5	—	—	0.26	—	0.33			$I_{OL} = 4$ mA
		6.0	—	—	0.26	—	0.33			$I_{OL} = 5.2$ mA
Input current	I_{in}	6.0	—	—	± 0.1	—	± 1.0	μA	$V_{in} = V_{CC}$ or GND	
Quiescent supply current	I_{CC}	6.0	—	—	4.0	—	40	μA	$V_{in} = V_{CC}$ or GND, $I_{out} = 0$ μA	

Switching Characteristics ($C_L = 50 \text{ pF}$, Input $t_r = t_f = 6 \text{ ns}$)

Item	Symbol	V_{CC} (V)	$T_a = 25^\circ\text{C}$			$T_a = -40 \text{ to } +85^\circ\text{C}$		Unit	Test Conditions		
			Min	Typ	Max	Min	Max				
Maximum clock frequency	f_{max}	2.0	—	—	5	—	4	MHz			
		4.5	—	—	25	—	20				
		6.0	—	—	29	—	23				
Propagation delay time	t_{PLH}, t_{PHL}	2.0	—	—	160	—	200	ns	Clock to Q		
		4.5	—	18	32	—	40				
		6.0	—	—	27	—	34				
				2.0	—	—	225	—	280	ns	Clear to Q (HC160, HC161 only)
				4.5	—	23	45	—	56		
				6.0	—	—	38	—	48		
				2.0	—	—	150	—	190	ns	Enable T to Ripple Carry output
				4.5	—	15	30	—	38		
				6.0	—	—	26	—	33		
				2.0	—	—	200	—	250	ns	Clock to Ripple carry output
				4.5	—	16	40	—	50		
				6.0	—	—	34	—	43		
Setup time	t_{su}	2.0	125	—	—	156	—	ns	Data to Clock		
		4.5	25	9	—	31	—				
		6.0	21	—	—	26	—				
				2.0	125	—	—	156	—	ns	Load to Clock
				4.5	25	15	—	31	—		
				6.0	21	—	—	26	—		
				2.0	125	—	—	156	—	ns	Clear to Clock (HC162, HC163 only)
				4.5	25	—	—	31	—		
				6.0	21	—	—	26	—		
Hold time	t_h	2.0	0	—	—	0	—	ns			
		4.5	0	-7	—	0	—				
		6.0	0	—	—	0	—				
Removal time	t_{rem}	2.0	100	—	—	125	—	ns			
		4.5	20	7	—	25	—				
		6.0	17	—	—	21	—				
Pulse width	t_w	2.0	80	—	—	100	—	ns			
		4.5	16	6	—	20	—				
		6.0	14	—	—	17	—				
Output rise/fall time	t_{TLH}, t_{THL}	2.0	—	—	75	—	95	ns			
		4.5	—	5	15	—	19				
		6.0	—	—	13	—	16				
Input capacitance	C_{in}	—	—	5	10	—	10	pF			

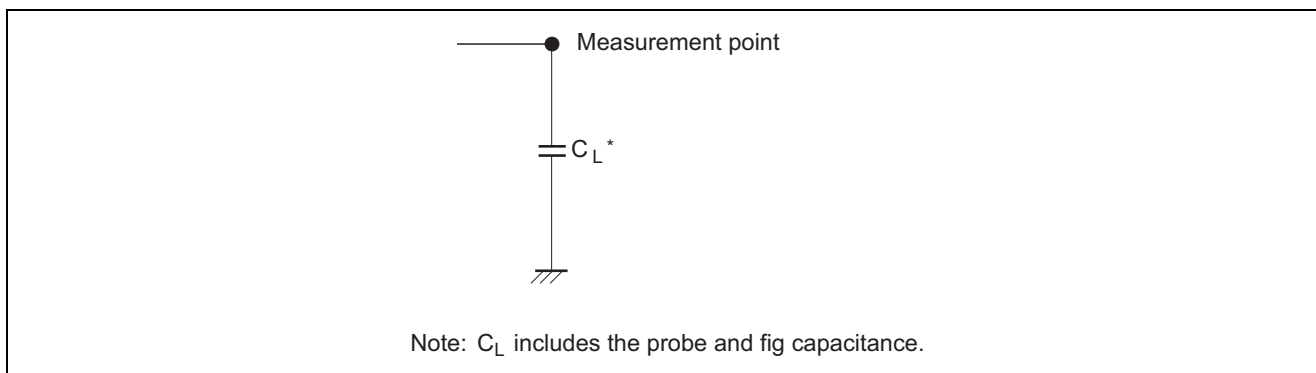
Function Table

Count Enable/Disable

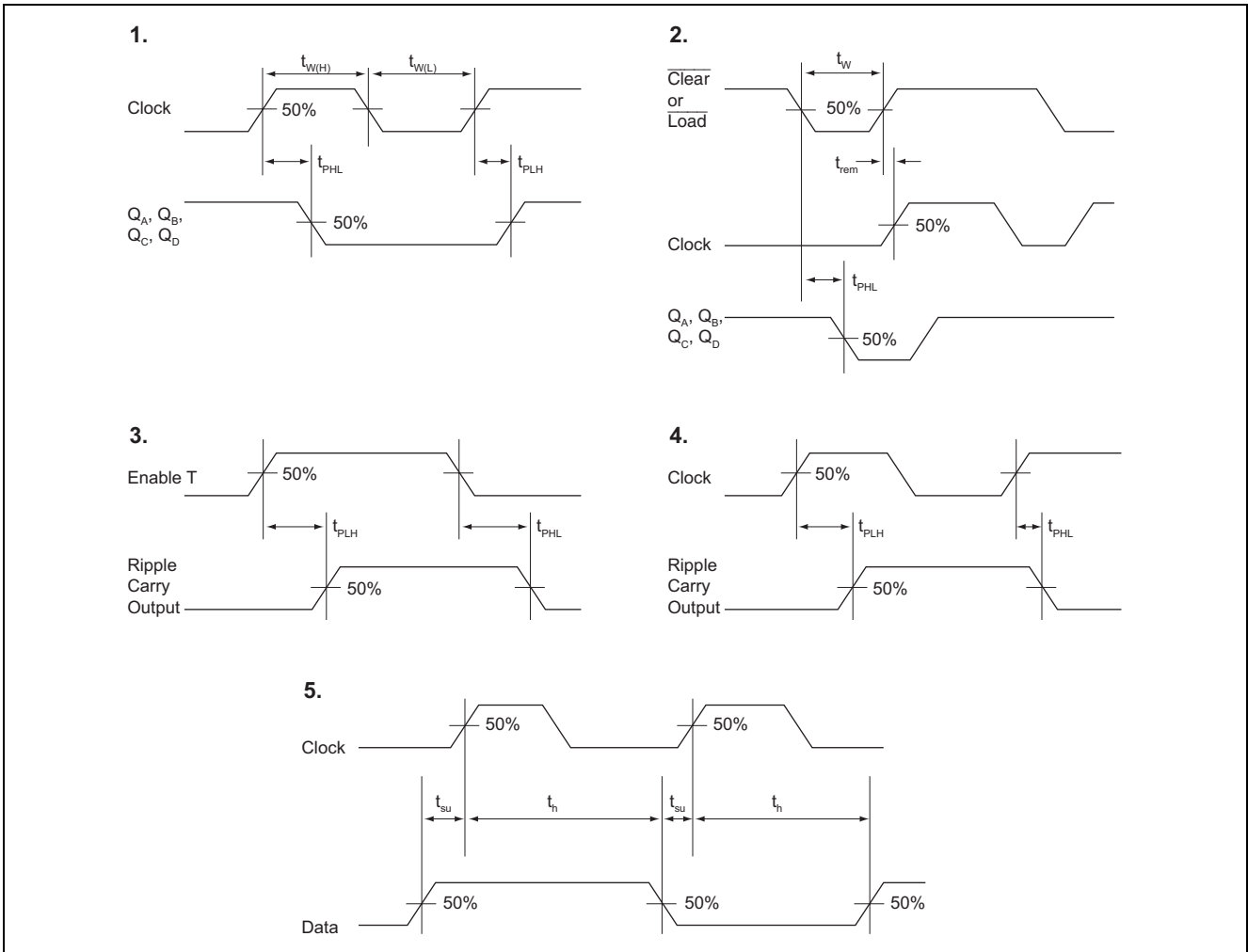
Control Inputs			Result at Outputs	
Load	Enable P	Enable T	Q _A to Q _D	Ripple Carry Output
H	H	H	Count	High when Q _A to Q _D are maximum
L	H	H	No count	
X	L	H	No count	High when Q _A to Q _D are maximum
X	H	L	No count	L
X	L	L	No count	L

H : High level L : Low level X : Irrelevant

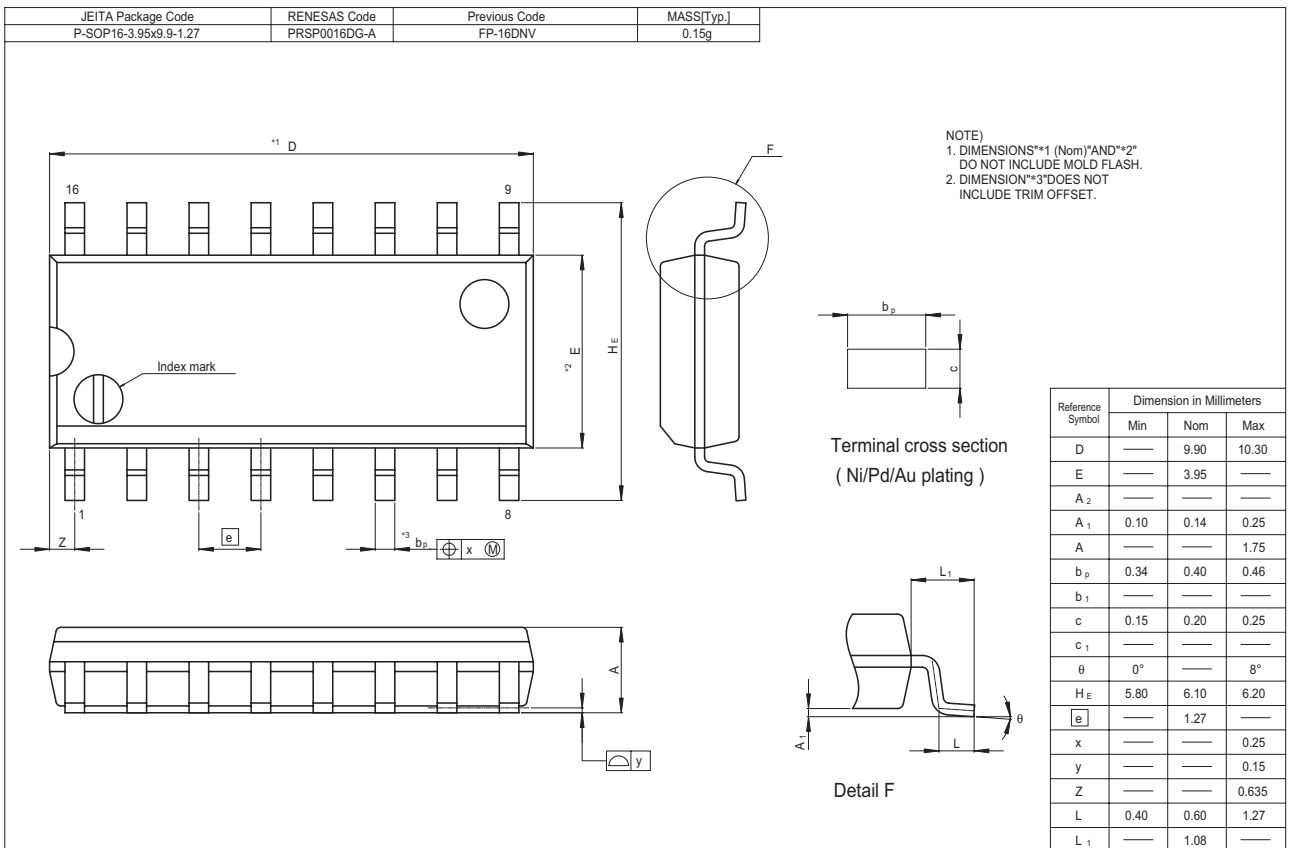
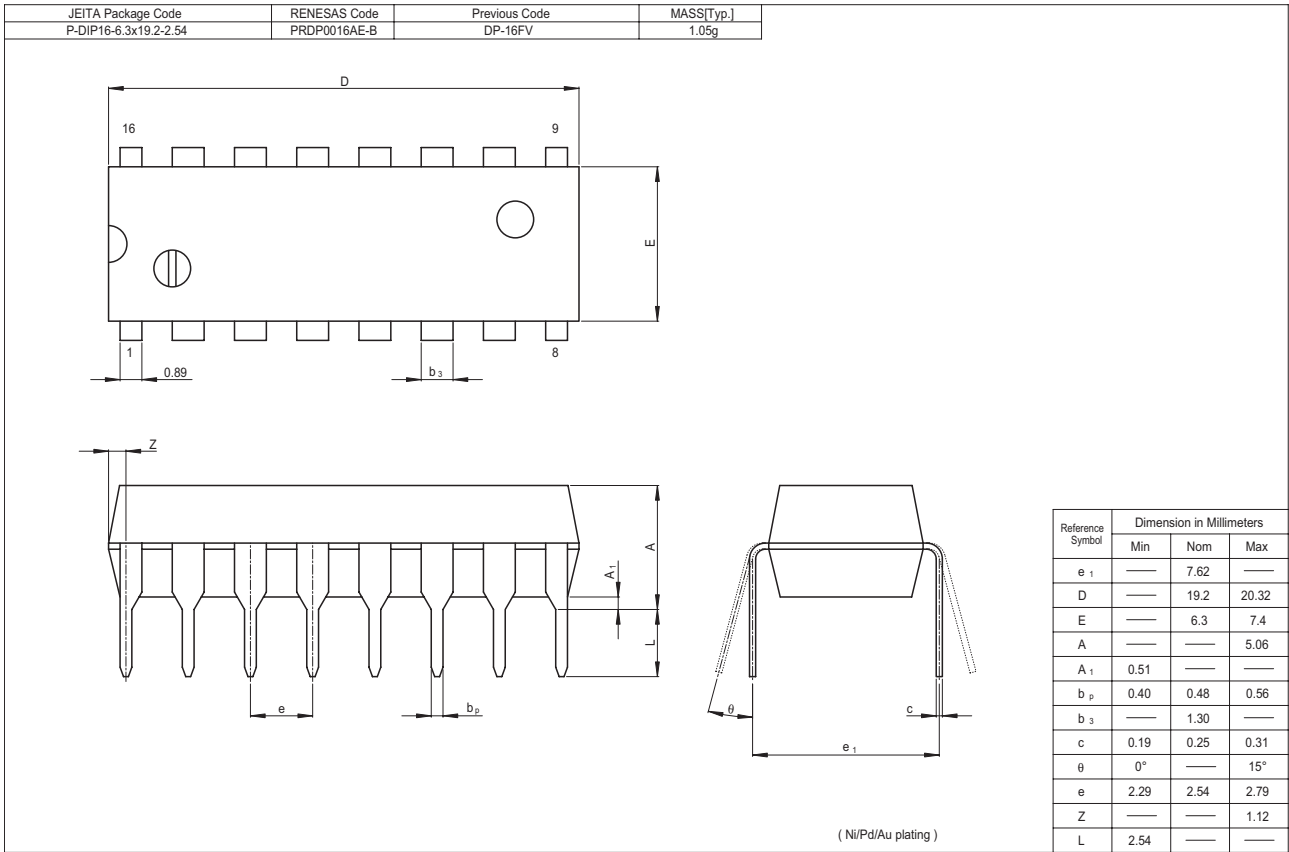
Test Circuit



Waveforms

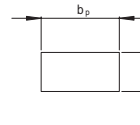
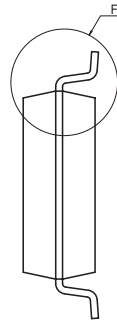
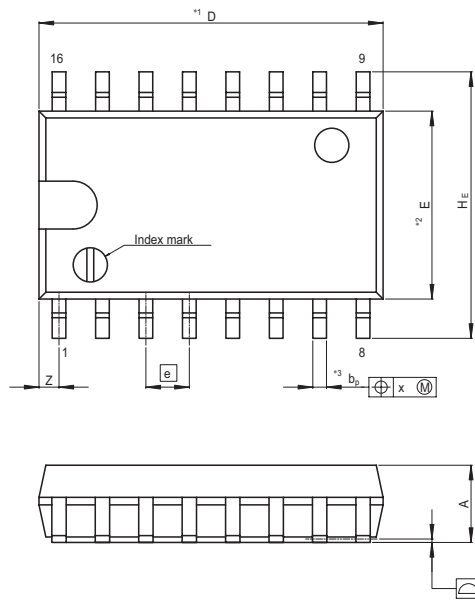


Package Dimensions

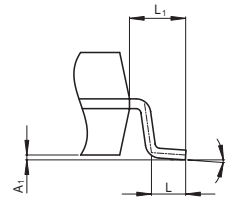


HD74HC160, HD74HC161, HD74HC162, HD74HC163

JEITA Package Code P-SOP16-5.5x10.06-1.27	RENESAS Code PRSP0016DH-B	Previous Code FP-16DAV	MASS[Typ.] 0.24g
--	------------------------------	---------------------------	---------------------



Terminal cross section
(Ni/Pd/Au plating)

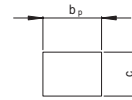
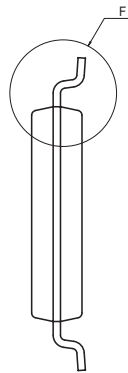
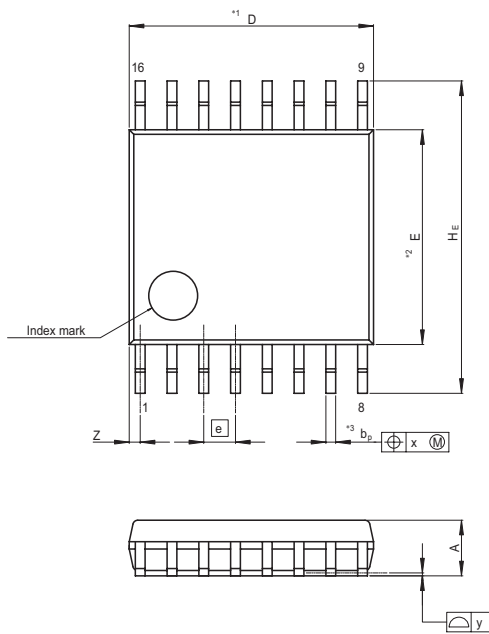


Detail F

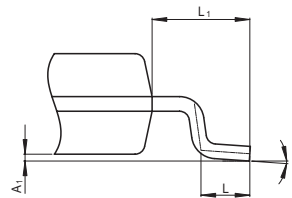
NOTE)
1. DIMENSIONS*1 (Nom)*AND*2*
DO NOT INCLUDE MOLD FLASH.
2. DIMENSION*3*DOES NOT
INCLUDE TRIM OFFSET.

Reference Symbol	Dimension in Millimeters		
	Min	Nom	Max
D	—	10.06	10.5
E	—	5.50	—
A ₂	—	—	—
A ₁	0.00	0.10	0.20
A	—	—	2.20
b _p	0.34	0.40	0.46
b ₁	—	—	—
c	0.15	0.20	0.25
c ₁	—	—	—
θ	0°	—	8°
H _E	7.50	7.80	8.00
e	—	1.27	—
x	—	—	0.12
y	—	—	0.15
Z	—	—	0.80
L	0.50	0.70	0.90
L ₁	—	1.15	—

JEITA Package Code P-TSSOP16-4.4x5-0.65	RENESAS Code PTSP0016JB-A	Previous Code TTP-16DAV	MASS[Typ.] 0.05g
--	------------------------------	----------------------------	---------------------



Terminal cross section
(Ni/Pd/Au plating)



Detail F

NOTE)
1. DIMENSIONS*1 (Nom)*AND*2*
DO NOT INCLUDE MOLD FLASH.
2. DIMENSION*3*DOES NOT
INCLUDE TRIM OFFSET.

Reference Symbol	Dimension in Millimeters		
	Min	Nom	Max
D	—	5.0	5.3
E	—	4.40	—
A ₂	—	—	—
A ₁	0.03	0.07	0.10
A	—	—	1.10
b _p	0.15	0.20	0.25
b ₁	—	—	—
c	0.10	0.15	0.20
c ₁	—	—	—
θ	0°	—	8°
H _E	6.20	6.40	6.60
e	—	0.65	—
x	—	—	0.13
y	—	—	0.10
Z	—	—	0.65
L	0.4	0.5	0.6
L ₁	—	1.0	—

Renesas Technology Corp. Sales Strategic Planning Div. Nippon Bldg., 2-6-2, Ohte-machi, Chiyoda-ku, Tokyo 100-0004, Japan

Keep safety first in your circuit designs!

1. Renesas Technology Corp. puts the maximum effort into making semiconductor products better and more reliable, but there is always the possibility that trouble may occur with them. Trouble with semiconductors may lead to personal injury, fire or property damage. Remember to give due consideration to safety when making your circuit designs, with appropriate measures such as (i) placement of substitutive, auxiliary circuits, (ii) use of nonflammable material or (iii) prevention against any malfunction or mishap.

Notes regarding these materials

1. These materials are intended as a reference to assist our customers in the selection of the Renesas Technology Corp. product best suited to the customer's application; they do not convey any license under any intellectual property rights, or any other rights, belonging to Renesas Technology Corp. or a third party.
2. Renesas Technology Corp. assumes no responsibility for any damage, or infringement of any third-party's rights, originating in the use of any product data, diagrams, charts, programs, algorithms, or circuit application examples contained in these materials.
3. All information contained in these materials, including product data, diagrams, charts, programs and algorithms represents information on products at the time of publication of these materials, and are subject to change by Renesas Technology Corp. without notice due to product improvements or other reasons. It is therefore recommended that customers contact Renesas Technology Corp. or an authorized Renesas Technology Corp. product distributor for the latest product information before purchasing a product listed herein.
The information described here may contain technical inaccuracies or typographical errors.
Renesas Technology Corp. assumes no responsibility for any damage, liability, or other loss rising from these inaccuracies or errors.
Please also pay attention to information published by Renesas Technology Corp. by various means, including the Renesas Technology Corp. Semiconductor home page (<http://www.renesas.com>).
4. When using any or all of the information contained in these materials, including product data, diagrams, charts, programs, and algorithms, please be sure to evaluate all information as a total system before making a final decision on the applicability of the information and products. Renesas Technology Corp. assumes no responsibility for any damage, liability or other loss resulting from the information contained herein.
5. Renesas Technology Corp. semiconductors are not designed or manufactured for use in a device or system that is used under circumstances in which human life is potentially at stake. Please contact Renesas Technology Corp. or an authorized Renesas Technology Corp. product distributor when considering the use of a product contained herein for any specific purposes, such as apparatus or systems for transportation, vehicular, medical, aerospace, nuclear, or undersea repeater use.
6. The prior written approval of Renesas Technology Corp. is necessary to reprint or reproduce in whole or in part these materials.
7. If these products or technologies are subject to the Japanese export control restrictions, they must be exported under a license from the Japanese government and cannot be imported into a country other than the approved destination.
Any diversion or reexport contrary to the export control laws and regulations of Japan and/or the country of destination is prohibited.
8. Please contact Renesas Technology Corp. for further details on these materials or the products contained therein.



RENESAS SALES OFFICES

<http://www.renesas.com>

Refer to "<http://www.renesas.com/en/network>" for the latest and detailed information.

Renesas Technology America, Inc.

450 Holger Way, San Jose, CA 95134-1368, U.S.A
Tel: <1> (408) 382-7500, Fax: <1> (408) 382-7501

Renesas Technology Europe Limited

Dukes Meadow, Millboard Road, Bourne End, Buckinghamshire, SL8 5FH, U.K.
Tel: <44> (1628) 585-100, Fax: <44> (1628) 585-900

Renesas Technology Hong Kong Ltd.

7th Floor, North Tower, World Finance Centre, Harbour City, 1 Canton Road, Tsimshatsui, Kowloon, Hong Kong
Tel: <852> 2265-6688, Fax: <852> 2730-6071

Renesas Technology Taiwan Co., Ltd.

10th Floor, No.99, Fushing North Road, Taipei, Taiwan
Tel: <886> (2) 2715-2888, Fax: <886> (2) 2713-2999

Renesas Technology (Shanghai) Co., Ltd.

Unit2607 Ruijing Building, No.205 Maoming Road (S), Shanghai 200020, China
Tel: <86> (21) 6472-1001, Fax: <86> (21) 6415-2952

Renesas Technology Singapore Pte. Ltd.

1 Harbour Front Avenue, #06-10, Keppel Bay Tower, Singapore 098632
Tel: <65> 6213-0200, Fax: <65> 6278-8001

Renesas Technology Korea Co., Ltd.

Kukje Center Bldg. 18th Fl., 191, 2-ka, Hangang-ro, Yongsan-ku, Seoul 140-702, Korea
Tel: <82> 2-796-3115, Fax: <82> 2-796-2145

Renesas Technology Malaysia Sdn. Bhd.

Unit 906, Block B, Menara Amcorp, Amcorp Trade Centre, No.18, Jalan Persiaran Barat, 46050 Petaling Jaya, Selangor Darul Ehsan, Malaysia
Tel: <603> 7955-9390, Fax: <603> 7955-9510