

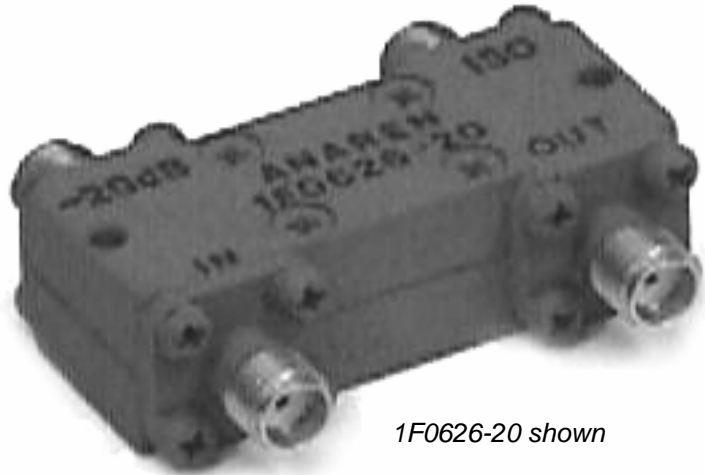
Directional Couplers "H" Style

Applications

- Subassemblies
- Lab Systems
- Leveling Loops
- Power Monitoring
- Test and Calibration

Features

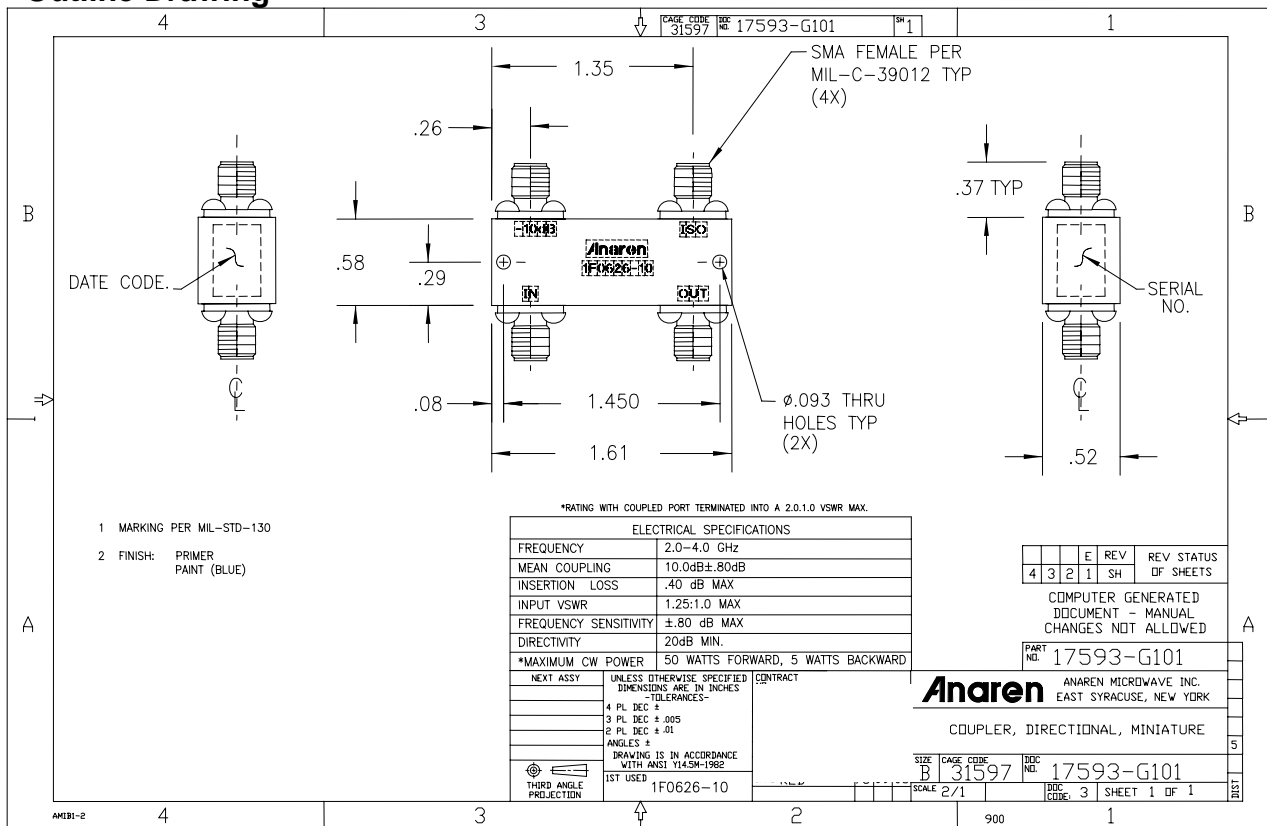
- Military Grade
- 2.0 – 4.0 GHz
- "H" Style Configuration
- Connectors Per MIL-C-39012
- Rugged Aluminum Housing
- High Directivity
- Meets MIL-E-5400 Class 3 Requirements



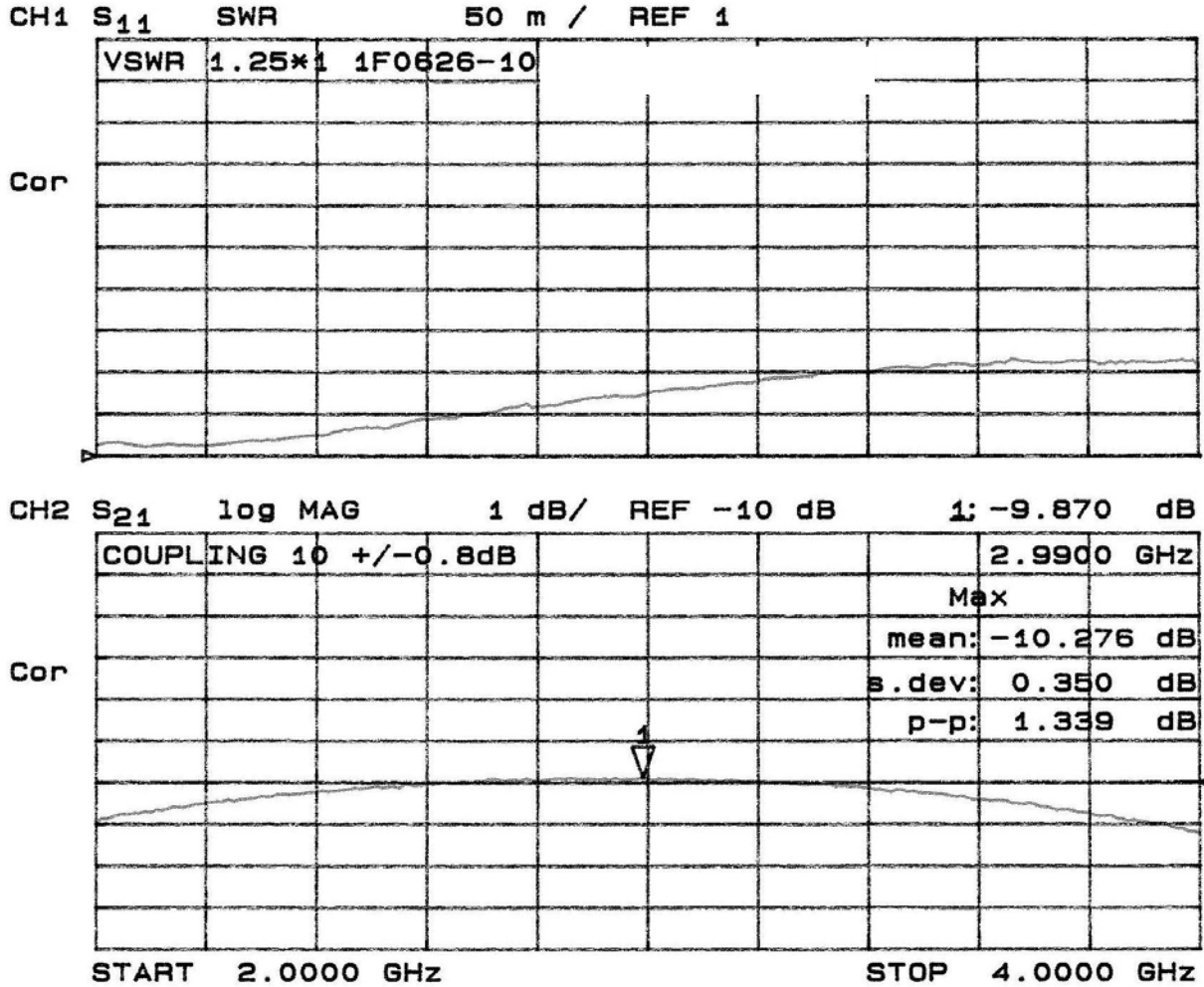
1F0626-20 shown

NOTES: The power rating applies when optional termination is supplied by Anaren and coupled port VSWR is 2.0:1 or less. Higher power can be handled with a lower VSWR termination
Electrical and Mechanical Specifications subject to change without notice

Outline Drawing



Typical Test Data Plots



Typical Test Data Plots

