

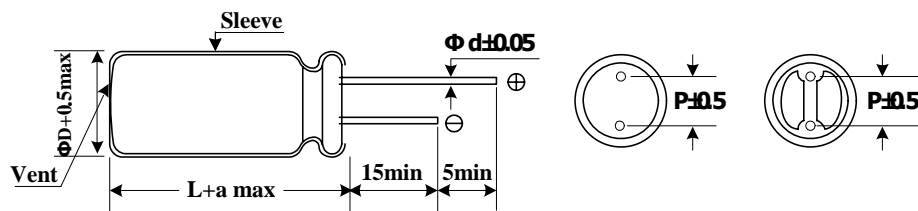
General Purpose Aluminum Capacitor

Features

- Radial leads, cylindrical aluminum case
- Low impedance characteristics
- Lifetime: 2000 hours at 85°C
- RoHS compliant



Dimensions (in mm)



ϕD	5	6.3	8	10	12	13	16	18	22
P	2.0	2.5	3.5	5.0			7.5		10.0
ϕd	0.5	0.5	0.6	0.6			0.8		0.8 note1
a	1.0	1.0	1.0	1.0	2.0	2.0	2.0	2.0	2.0

Note1: In case of $L \geq 40$, lead diameter $\phi d = 1.0 \text{ mm}$

Ripple Current Multiplier

Frequency coefficient

Frequency (Hz)	120	300	1K	10K
6.3 ~ 100V Below 68 μ F	1.00	1.20	1.30	1.50
6.3 ~ 100V 100~680 μ F	1.00	1.10	1.15	1.20
6.3 ~ 100V 1000~22000 μ F	1.00	1.05	1.10	1.15
160 ~ 450V Below 220 μ F	1.00	1.25	1.40	1.40
160 ~ 450V 220 μ F Above	1.00	1.10	1.13	1.13

General Purpose Aluminum Capacitors

TER Series

Specification

Description	Value														Conditions	
Operating Temperature Range	-40 ~ +85°C							-25 ~ +85°C								
Rated Voltage Range(WV)	6.3 ~ 100VDC							160 ~ 450VDC								
Rated Capacitance Range	0.1 ~ 22000 μF							0.47 ~ 470 μF								
Capacitance Tolerance	±20%														at 120Hz, 20 °C	
Max. Leakage current at 20°C	I=0.01CV or 3 μA, whichever is greater.							I=0.03CV+10(μA)							After rated Voltage applied for 2 minutes	
	(I= Leakage Current(μA), C=Nominal Capacitance(μF), V=Rated Voltage(V))															
Max. Dissipation Factor (tan δ)	0.22	0.19	0.16	0.14	0.12	0.10	0.09	0.08	0.15			0.20			at 120Hz, 20 °C	
Working Voltage Range (WV)	6.3	10	16	25	35	50	63	100	160	200	250	350	400	450		
Surge Voltage (V)	8	13	20	32	44	63	79	125	200	250	300	400	450	500	at 20°C	
Max. Low Temperature Stability Impedance Ratio at 120Hz	8	6	5	3	3			7			10	15		Z(-25°C)/ Z(+20°C)		
	10	8	6	4	3			--			--	--		Z(-40°C)/ Z(+20°C)		
Load Life	Cap. Change	ΔC/C ≤±20%														After rated voltage applied 2000 hours at 85°C
	Dissipation Factor	Δtanδ/tanδ≤200%														
	Leakage Current	ΔI _L / I _L ≤1														
Shelf Life	Shall meet the same requirement as load life test														After 1000 hours at 85° C without voltage	

General Purpose Aluminum Capacitors

TER Series

Case Size ($\phi D \times L$ (mm)) & Rated Ripple Current (RC(mA/rms)/120Hz,85°C)

C (μF)	Rated Voltage (V)													
	6.3	10	16	25	35	50	63	100	160	200	250	350	400	450
0.10						5x11 1								
0.22						5x11 2		5x11 5						
0.33						5x11 3	5x11 3							
0.47						5x11 5	5x11 5	5x11 10	5x11 12	5x11 14	5x11 14	5x11 14	6.3x11 14	6.3x11 14
0.68						5x11 7								
1.0						5x11 10	5x11 10	5x11 21	5x11 17	5x11 19	5x11 17	6.3x11 19	6.3x11 16	8x11 19
									6.3x11 17		6.3x11 19		8x11 19	
2.2						5x11 23	5x11 29	5x11 30	6.3x11 26	6.3x11 22	6.3x11 24	8x11 33	8x11 26	10x12.5 33
										8x11 27	8x11 30	10x12.5 33	10x12.5 33	
3.3						5x11 35	5x11 40	5x11 45	6.3x11 30	6.3x11 30	8x11 30	8x11 33	10x12.5 40	10x16 42
									8x11 35	8x11 37	10x12.5 38	10x12.5 39		
4.7		5x11 20	5x11 25	5x11 30	5x11 35	5x11 40	5x11 45	5x11 50	6.3x11 32	8x11 36	8x11 36	10x12.5 39	10x16 45	10x16 50
									8x11 44	10x12.5 45	10x12.5 45	10x16 45		10x20 50
6.8						5x11 50		5x11 55				8x11 40		10x16 50
											10x12.5 50			10x20 56
10		5x11 35	5x11 40	5x11 50	5x11 60	5x11 65	5x11 70	5x11 65	8x11 55	10x12.5 57	10x16 70	10x16 70	10x16 50	13x20 60
								6.3x11 75	10x12.5 65	10x16 70	10x20 70	13x20 70	10x20 56	13x25 75
									10x16 65				13x20 70	
15			5x11 50			5x11 80	8x11 93					10x20 75	10x20 90	13x20 93
												13x20 90		
22	5x11 35	5x11 55	5x11 75	5x11 90	5x11 95	5x11 100	5x11 95	6.3x11 105	10x16 110	10x16 120	10x20 130	13x20 130	13x20 100	16x20 100
							6.3x11 115	8x11 130	10x20 110				13x25 110	16x25 110
													16x25 130	16x32 130

General Purpose Aluminum Capacitors

TER Series

Case Size ($\phi D \times L$ (mm)) & Rated Ripple Current (RC(mA/rms)/120Hz,85°C)

C (μF)	Rated Voltage (V)													
	6.3	10	16	25	35	50	63	100	160	200	250	350	400	450
33	5x11 55	5x11 80	5x11 110	5x11 115	5x11 120	5x11 105	6.3x11 130	8x11 140	10x20 150	10x20 160	13x20 140	13x25 170	13x25 140	16x25 145
						6.3x11 125	8x11 140	10x12.5 170				13x25 160	16x25 170	16x20 145
47	5x11 75	5x11 95	5x11 130	5x11 135	5x11 120	6.3x11 140	8x11 190	10x12.5 190	12x16 145	13x20 160	13x25 210	16x25 220-	16x25 180	18x36 200
					6.3x11 140	8x11 150		10x16 230	12x25 180	13x25 190	16x25 210		16x32 220	18x40 230
									13x20 180				16x36 220	
68			5x11 150	6.3x11 145				10x16 280		13x25 230				18x32 265
100	5x11 130	5x11 180	5x11 165	6.3x11 160	6.3x11 185	8x11 230	10x12.5 300	10x20 400	13x25 250	16x25 330	16x32 310	16x36 320	18x36 360	22x40 370
			6.3x11 185	8x11 200	8x11 230	10x12.5 250	10x16 300		16x25 300			18x36 360		
150			6.3x11 205					13x20 500			18x40 410			
220	5x11 200	6.3x11 250	6.3x11 260	8x11 290	8x11 290	10x12.5 380	10x16 410	13x25 710	16x32 450	18x25 485	18x36 540			
	6.3x11 240		8x11 320	10x12.5 340	10x12.5 370	10x16 440	10x20 490		16x36 510	18x32 540	18x40 600			
					10x16 370					18x36 600				
330	6.3x11 260	6.3x11 265	6.3x11 290	8x11 315	10x12.5 420	10x16 490	10x20 540	13x25 720	18x36 540	16x40 710				
	8x11 300	8x11 330	8x11 360	8x15 380	10x16 490	10x20 580	13x20 680	16x25 860	18x40 600	16x45 750				
				10x12.5 420						18x32 685				
										18x36 725				
470	6.3x11 330	6.3x11 320	8x11 400	8x15 420	10x16 430	10x20 610	13x20 755	13x40 1100	22x40 900	18x40 750				
	8x11 380	8x11 400	10x12.5 470	10x12.5 460	10x20 510	13x20 760	13x25 880	16x25 1100		22x35 1000				
				10x16 540	13x20 640		16x25 880	16x32 1100						
680	8x11 410	10x12.5 460	10x12.5 5170	10x16 540	13x20 705		13x25 965	16x36 1260						
			10x16 565	10x20 595	13x25 780		16x25 1085							

General Purpose Aluminum Capacitors

TER Series

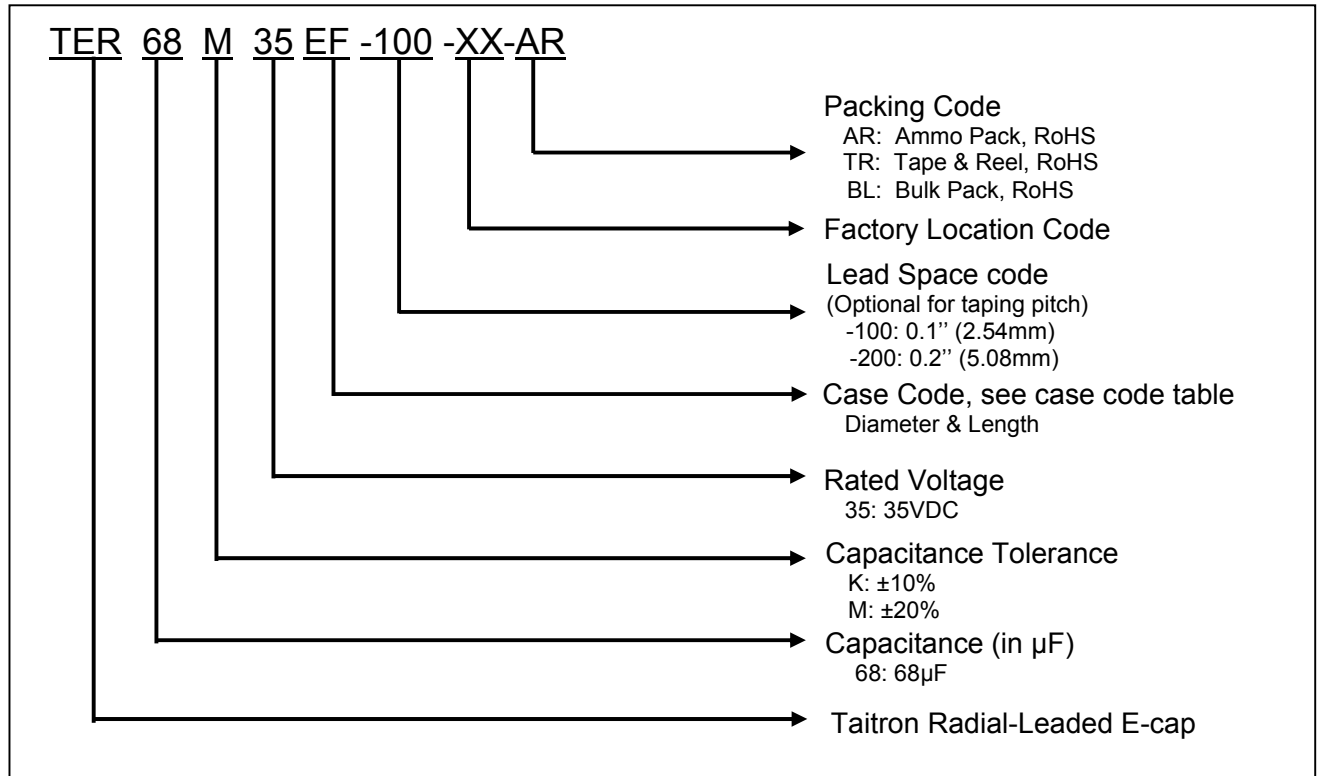
Case Size ($\phi D \times L$ (mm)) & Rated Ripple Current (RC(mA/rms)/120Hz,85°C)

C (μ F)	Rated Voltage (V)													
	6.3	10	16	25	35	50	63	100	160	200	250	350	400	450
1000	8x11 460	10x12.5 580	10x16 630	10x20 760	13x20 950	13x25 1100	16x25 1310	18x40 1350						
	10x12.5 580	10x16 630	10x20 790	12x16 760	13x25 1100	16x25 1350	16x32 1550	22x35 1680						
				13x20 950										
1500		10x20 700			16x25 1240									
2200	10x20 840	10x20 880	10x20 925	13x25 1300	16x25 1600	16x36 1850	18x40 2200	22x40 2300						
	13x20 1050	13x20 1100	13x20 1100	16x25 1550	16x32 1800	18x36 2090	22x35 2200							
			13x25 1350	18x20 1550			22x40 2200							
3300	10x20 1000	13x20 1250	13x25 1400	16x25 1660	16x36 1970	18x36 2170	22x40 2500							
	13x20 1250	13x25 1400	16x25 1700	16x32 1950	18x36 2220	18x40 2400								
4700	13x20 1300	13x25 1500	16x25 1800	16x32 1950	18x36 2400	22x35 2240								
	16x25 1700	16x25 1800	16x32 2100	18x36 2360		22x40 2500								
6800	16x25 1900	16x25 1900	16x32 1980	18x36 2550	22x40 2600									
		16x32 2150	16x36 2200											
			18x36 2500											
10000	16x25 1900	16x36 2225	18x36 2700	22x40 2800										
	16x32 2250	18x36 2500												
15000	16x36 2500	18x36 2950	22x40 3150	22x40 3200										
	18x36 2880													
22000	18x40 3650	22x40 3700	22x40 3800											

General Purpose Aluminum Capacitors

TER Series

How to Order



Case Code Table

Diameter (mm)	3	4	5	6	6.3	8	10	12	13	16	18	20	22	25	30	35	40	50	63	76
Code	A	B	C	D	E	F	G	H	J	K	L	M	N	P	Q	R	S	T	U	V

Length (mm)	5	7	7.5	8	9	11	11.5	12	12.5	13	15	16	17	19	20	21	24	25	25.5	26
Code	A	B	C	D	E	F	G	H	J	K	L	M	N	P	Q	R	S	T	U	V

Length (mm)	27	28	30	31.5	32	33	35	35.5	36	37	38	40	41	42	43	45	50	80	100	800
Code	W	X	Y	Z	AA	BB	CC	DD	EE	FF	GG	HH	JJ	KK	LL	MM	NN	PP	QQ	RR

General Purpose Aluminum Capacitors

TER Series

How to contact us:

US HEADQUARTERS

28040 WEST HARRISON PARKWAY, VALENCIA, CA 91355-4162

Tel: (800) TAITRON (800) 824-8766 (661) 257-6060

Fax: (800) TAITFAX (800) 824-8329 (661) 257-6415

Email: taitron@taitroncomponents.com

Http://www.taitroncomponents.com

TAITRON COMPONENTS MEXICO, S.A .DE C.V.

BOULEVARD CENTRAL 5000 INTERIOR 5 PARQUE INDUSTRIAL ATITALAQUIA, HIDALGO C.P.
42970 MEXICO

Tel: +52-55-5560-1519

Fax: +52-55-5560-2190

TAITRON COMPONENTS INCORPORATED REPRESENTAÇÕES DO BRASIL LTDA

RUA DOMINGOS DE MORAIS, 2777, 2.ANDAR, SALA 24 SAÚDE - SÃO PAULO-SP 04035-001 BRAZIL

Tel: +55-11-5574-7949

Fax: +55-11-5572-0052

TAITRON COMPONENTS INCORPORATED, SHANGHAI REPRESENTATIVE OFFICE

METROBANK PLAZA, 1160 WEST YAN'AN ROAD, SUITE 1502, SHANGHAI, 200052, CHINA

Tel: +86-21-5424-9942

Fax: +86-21-5424-9931