

## **Description**

The LED Strip signage light module is comprised of a linear array of solid state light emitting diodes ( LEDs ) mounted on an elongated printed circuit board. This board is encased inside a translucent plastic housing, which is sealed at its two ends. The LED Strip unit has interconnects at each end, which allows for easy modular interconnectivity, either to a power source or an adjacent LED Strip unit.

A series of these LED Strip units can be mounted end-to-end along the roof or edge of a building to produce a bright, continuous contour of light, similar to neon, but consuming only a fraction of the power that neon consumes.

LED Strip is made with an advanced optical grade high strength acrylic lens, which offers superior high temperature and moisture resistance performance in outdoor environments. The high strength acrylic extrusion lens material is tough and impact resistant. In addition, the high strength acrylic lens is doped with UV-a and UV-b inhibitors to reduce the effects of long-term exposure to direct sunlight.

LED Strip is available in a variety of colors : red, yellow, orange, green, and blue. It is easily installed on any surface with minimal surface penetration and is built to withstand the harshest environments.

The LEDStrip is made in custom lengths to order, and all fittings can be nearly concealed. Thus, each installation is customized for a location.

## **Features**

- LED-based solid state lighting module
- Long operation life and low power requirement
- High reliability in wide operating temp.
- Wide viewing angle and uniform appearance
- Easy modular interconnectivity
- High luminous intensity

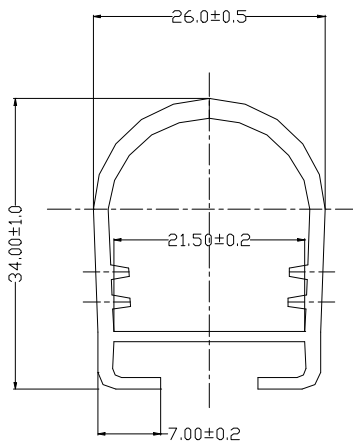
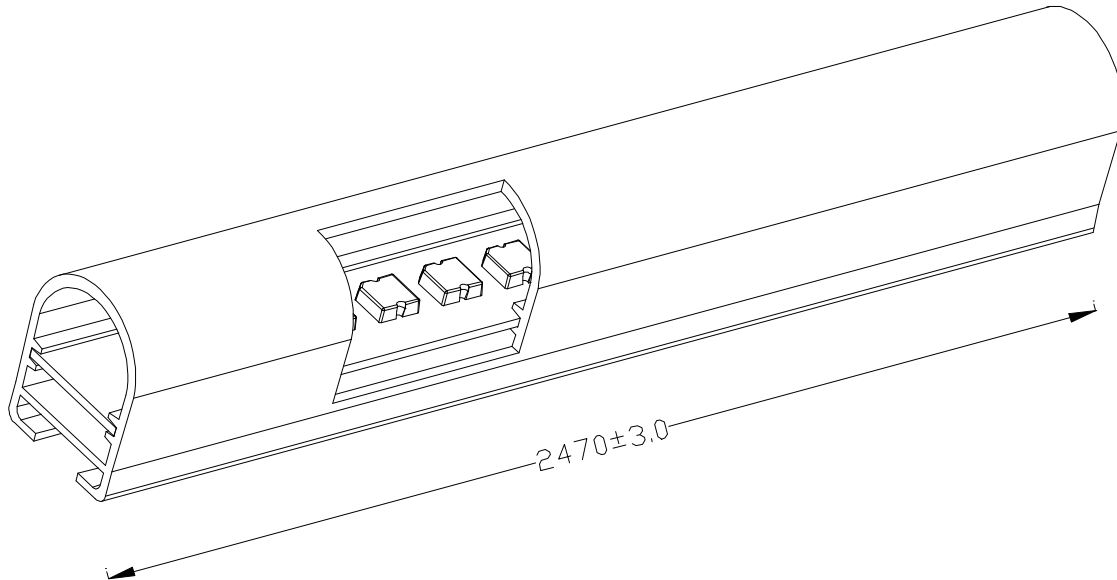
## **Applications**

- Focused Reading & Task Lighting
- Uninterrupted Emergency Lighting
- Concealed Accent Lighting
- Edge Lighting

## **Options**

- Available with Low Voltage Disconnect  
Battery Protection Circuit
- Special Operating Voltages
- Choice of Narrow (15°) , Medium (30°) or  
Wide Angle (120°) LEDs

**Package Dimensions**



## Mechanical Characteristics

Outside Diameter	Typical	Units
Semicircular	26.0	mm

## Electrical Characteristics

Parameter	Typical	Units
Voltage		
Red-Orange-Yellow	12	V (AC)
Blue-Green	24	V (AC)
Current		
Red-Orange-Yellow	1.20	A / 8feet
Blue-Green	0.88	A / 8feet
Power Dissipation (Pd)		
Red, Yellow, Orange	14.40	W / 8feet
Blue, Green	21.12	W / 8feet
Weight	920	g / 8feet

## Temperature Ratings

Storage Temperature	
Power Supply	-20°C to + 85°C
All other components	-40°C to + 100°C
Operating Temperature	
Power Supply	-10°C to + 60°C
All other components	-40°C to + 85°C

**Optical Characteristics**

Dominant Wavelength ( $\lambda$ dom)	Typical	Units
Red	625	nm
Yellow	592	nm
Orange	605	nm
Green	525	nm
Blue	470	nm

Luminous (L)	Typical	Units
Red	180	cd/m <sup>2</sup>
Yellow	220	cd/m <sup>2</sup>
Orange	180	cd/m <sup>2</sup>
Green	160	cd/m <sup>2</sup>
Blue	130	cd/m <sup>2</sup>

Note :

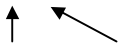
- 1.Test device : SPECTRASCAN (made by POTO RESEARCH PR-650)
- 2.Test condition : Test 60cm light bar by photometer and record the intensity per 3cm.

**Selection Guide**

Part Number	Color	Unit
MAL-6001R-R08	Red	feet
MAL-6001Y-Y08	Yellos	feet
MAL-6001E-E08	Orange	feet
MAL-6001G-G08	Green	feet
MAL-6001B-B08	Blue	feet

Note :

MAL-6001X-X08 ( 08 eight feet)



LED Color Tube Color