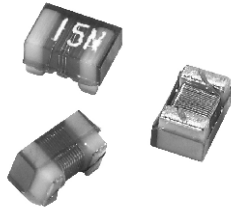


Surface Mount Inductor, Wirewound



FEATURES

- Excellent solderability and resistance to soldering heat
- Suitable for reflow soldering
- High reliability and easy surface mount assembly
- Wide range of inductance values available
- Tape and reel packaging for automatic handling, 3000/reel, EIA 481
- Lead (Pb)-free construction



RoHS
COMPLIANT

STANDARD ELECTRICAL SPECIFICATIONS						
IND. (nH)	TOL.	TEST FREQ L and Q (MHz)	Q MIN	SELF-RESONANT FREQ. MIN. (MHz)	DCR MAX. (Ohms)	*RATED DC CURRENT (mA)
2.0	± 0.3 nH, 0.2 nH	250	16	6900	0.08	700
3.9	± 0.3 nH, 0.2 nH	250	22	6900	0.08	700
4.7	± 0.3 nH, 0.2 nH	250	20	5800	0.11	700
6.8	± 10 %, 5 %	250	30	5800	0.11	700
8.2	± 10 %, 5 %	250	30	4600	0.10	700
10.0	± 5 %, 2 %	250	30	4800	0.13	700
12.0	± 5 %, 2 %	250	35	4000	0.13	700
15.0	± 5 %, 2 %	250	35	4000	0.17	700
18.0	± 5 %, 2 %	250	38	3100	0.17	700
22.0	± 5 %, 2 %	250	38	3000	0.22	700
27.0	± 5 %, 2 %	250	40	2800	0.22	600
33.0	± 5 %, 2 %	250	43	2300	0.22	600
39.0	± 5 %, 2 %	250	43	2200	0.25	600
47.0	± 5 %, 2 %	200	40	2000	0.28	600
56.0	± 5 %, 2 %	200	40	1900	0.31	600
68.0	± 5 %, 2 %	200	40	1700	0.34	600
72.0	± 5 %, 2 %	150	35	1700	0.49	400
82.0	± 5 %, 2 %	150	35	1700	0.54	400
100.0	± 5 %, 2 %	150	35	1400	0.63	400
120.0	± 5 %, 2 %	150	35	1300	0.65	300
150.0	± 5 %, 2 %	150	35	1000	0.92	280
180.0	± 5 %, 2 %	100	30	1000	1.25	240
220.0	± 5 %, 2 %	100	30	1000	1.70	200
270.0	± 5 %, 2 %	100	30	1000	1.80	170

* for a 15 °C rise.

ELECTRICAL SPECIFICATIONS

Inductance Range: 2 nH to 270 nH

Operating Temperature: - 40 °C to + 125 °C

Storage Temperature: - 40 °C to + 125 °C

TEST EQUIPMENT

- Inductance is measured in HP-4287A RF LCR meter with HP-16193 fixture
- Q is measured in HP-4287A RF LCR meter with HP-16193 fixture
- SRF is measured in HP-8753E RF network analyzer
- DCR is measured in HP-4338B milliohmmeter

DIMENSIONS in inches [millimeters]

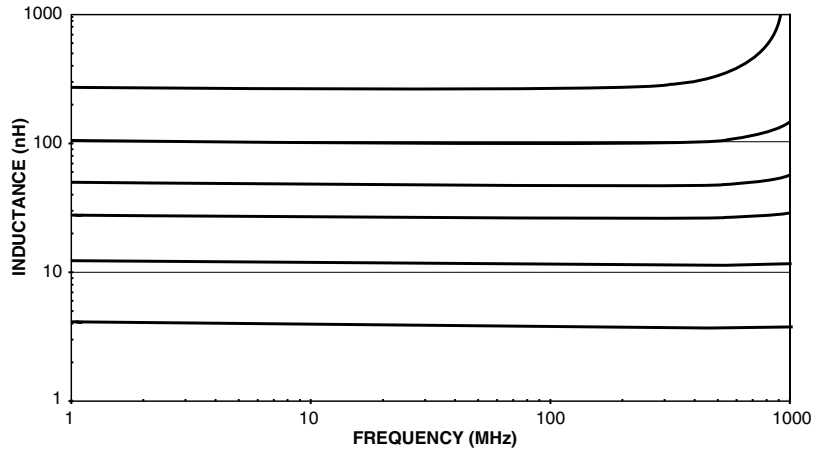
L	W	S
0.063 ± 0.008 [1.60 ± 0.2]	0.041 ± 0.008 [1.05 ± 0.2]	0.014 ± 0.004 [0.35 ± 0.1]
U		T
0.02 ref. [0.5]		0.041 ± 0.008 [1.05 ± 0.2]

DESCRIPTION				
IMC-0603-01 MODEL	10 nH INDUCTANCE VALUE	± 5 % INDUCTANCE TOLERANCE	ER PACKAGE CODE	e4 JEDEC LEAD (Pb)-FREE STANDARD
GLOBAL PART NUMBER				
I	M	C	0	6
PRODUCT FAMILY			0	3
			E	R
			1	0
			N	J
			0	1
			INDUCTANCE VALUE	TOL.
			SERIES	

PERFORMANCE GRAPHS

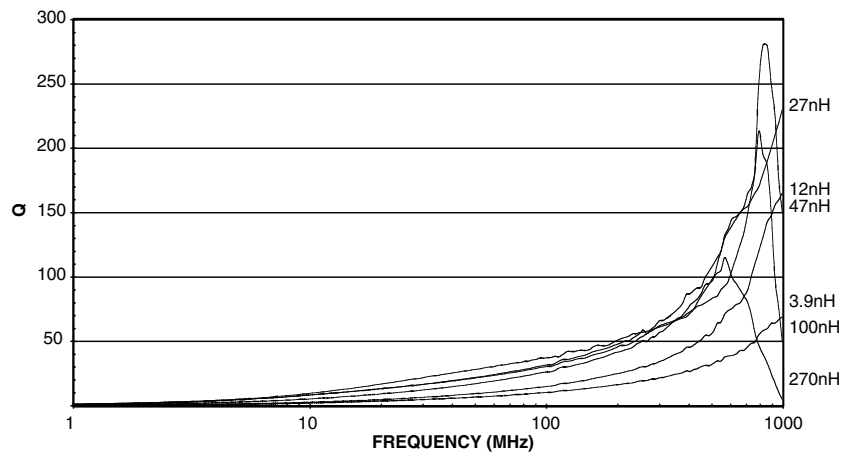
IMC-0603-01

IMC-0603-01 L_s VS FREQUENCY



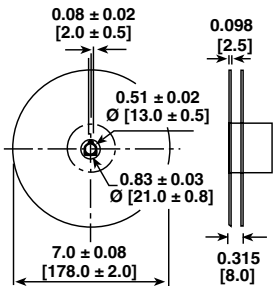
IMC-0603-01

IMC-0603-01 Q VS FREQUENCY

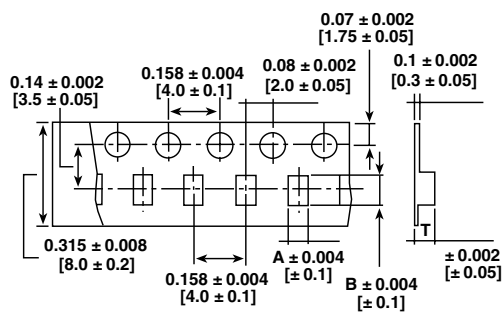


TAPE AND REEL SPECIFICATIONS in inches [millimeters]

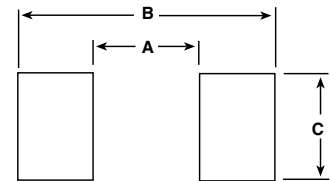
REEL DIMENSIONS



TAPE DIMENSIONS



RECOMMENDED PATTERN



MODEL	UNITS PER REEL	MODEL	A	B	T	MODEL	A	B	C
IMC-0603-01	3000	IMC-0603-01	0.039 [1.0]	0.07 [1.8]	0.039 [1.0]	IMC-0603-01	0.039 [1.0]	0.083 [2.1]	0.03 [0.8]



Disclaimer

All product specifications and data are subject to change without notice.

Vishay Intertechnology, Inc., its affiliates, agents, and employees, and all persons acting on its or their behalf (collectively, "Vishay"), disclaim any and all liability for any errors, inaccuracies or incompleteness contained herein or in any other disclosure relating to any product.

Vishay disclaims any and all liability arising out of the use or application of any product described herein or of any information provided herein to the maximum extent permitted by law. The product specifications do not expand or otherwise modify Vishay's terms and conditions of purchase, including but not limited to the warranty expressed therein, which apply to these products.

No license, express or implied, by estoppel or otherwise, to any intellectual property rights is granted by this document or by any conduct of Vishay.

The products shown herein are not designed for use in medical, life-saving, or life-sustaining applications unless otherwise expressly indicated. Customers using or selling Vishay products not expressly indicated for use in such applications do so entirely at their own risk and agree to fully indemnify Vishay for any damages arising or resulting from such use or sale. Please contact authorized Vishay personnel to obtain written terms and conditions regarding products designed for such applications.

Product names and markings noted herein may be trademarks of their respective owners.