

# FAN5602 — Universal (Step-Up/Step-Down) Charge Pump Regulated DC/DC Converter

## Features

- Low-Noise, Constant-Frequency Operation at Heavy Load
- High-Efficiency, Pulse-Skip (PFM) Operation at Light Load
- Switch Configurations (1:3, 1:2, 2:3, 1:1, 3:2, 2:1, 3:1)
- 92% Peak Efficiency
- Input Voltage Range: 2.7V to 5.5V
- Output Current: 3.3V, 200mA at  $V_{IN} = 3.6V$
- $\pm 3\%$  Output Voltage Accuracy
- $I_{CC} < 1\mu A$  in Shutdown Mode
- 1MHz Operating Frequency
- Shutdown Isolates Output from Input
- Soft-Start Limits Inrush Current at Start-up
- Short-Circuit and Over-Temperature Protection
- Minimum External Component Count
- No Inductors

## Applications

- Cell Phones
- Handheld Computers
- Portable RF Communication Equipment
- Core Supply to Low-Power Processors
- Low-Voltage DC Bus
- DSP Supplies

## Description

The FAN5602 is a universal switched capacitor DC/DC converter capable of step-up or step-down operation. Due to its unique adaptive fractional switching topology, the device achieves high efficiency over a wider input/output voltage range than any of its predecessors. The FAN5602 utilizes resistance-modulated loop control, which produces lower switching noise than other topologies. Depending upon actual load conditions, the device automatically switches between constant-frequency and pulse-skipping modes of operation to extend battery life.

The FAN5602 produces a fixed regulated output within the range of 2.7V to 5.5V from any type of voltage source. High efficiency is achieved under various input/output voltage conditions because an internal logic circuit automatically reconfigures the system to the best possible topology. Only two  $1\mu F$  bucket capacitors and one  $10\mu F$  output capacitor are needed. During power on, soft-start circuitry prevents excessive current drawn from the supply. The device is protected against short-circuit and over-temperature conditions.

The FAN5602 is available with 3.3V, 4.5V, and 5.0V output voltage. Any other output voltage option within the 1.5V to 5V range is available upon request. The FAN5602 is available 3x3mm 8-lead MLP packages.

## Ordering Information

Part Number	Package <sup>(1)</sup>	Pb-Free	Output Voltage, $V_{NOM}$
FAN5602MP33X	3x3mm 8-Lead MLP	Yes	3.3V
FAN5602MP45X	3x3mm 8-Lead MLP	Yes	4.5V
FAN5602MP5X	3x3mm 8-Lead MLP	Yes	5.0V

### Note:

1. Reference MLP08D Option B ONLY.

## Application Diagram

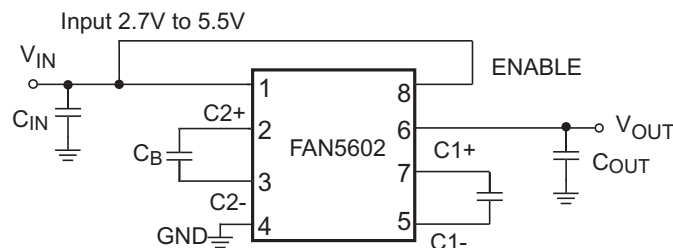


Figure 2. Typical Application Diagram

### Block Diagram

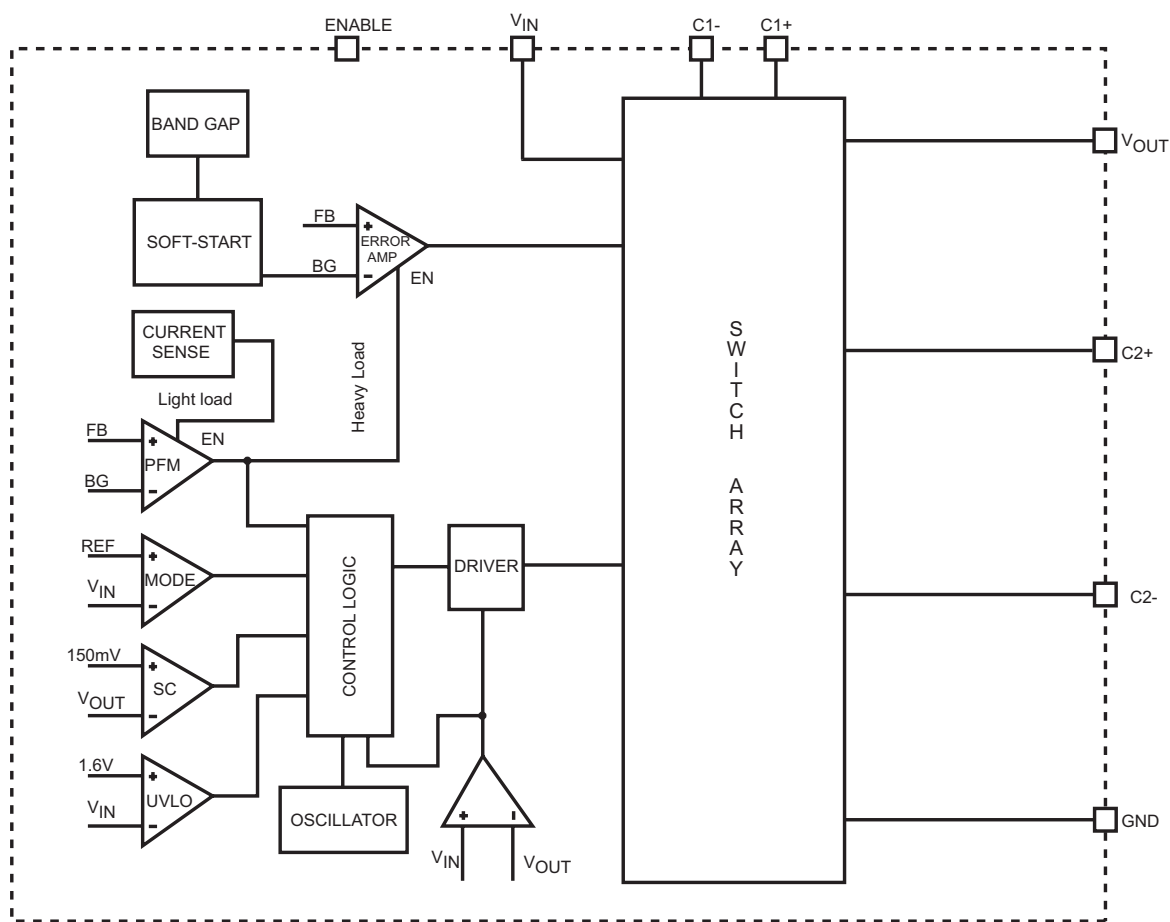
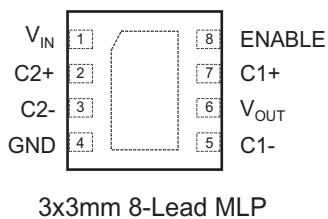


Figure 3. Block Diagram

## Pin Assignments



**Figure 4. Pin Assignments**

## Pin Descriptions

Pin #	Name	Description
1	$V_{IN}$	Supply Voltage Input.
2	C2+	Bucket Capacitor2. Positive Connection.
3	C2-	Bucket Capacitor2. Negative Connection.
4	GND	Ground
5	C1-	Bucket Capacitor1. Negative Connection.
6	$V_{OUT}$	Regulated Output Voltage. Bypass this pin with 10 $\mu$ F ceramic low-ESR capacitor.
7	C1+	Bucket Capacitor1. Positive Connection.
8	ENABLE	Enable Input. Logic high enables the chip and logic low disables the chip, reducing the supply current to less than 1 $\mu$ A. Do not float this pin.

## Absolute Maximum Ratings

Stresses exceeding the absolute maximum ratings may damage the device. The device may not function or be operable above the recommended operating conditions and stressing the parts to these levels is not recommended. In addition, extended exposure to stresses above the recommended operating conditions may affect device reliability. The absolute maximum ratings are stress ratings only.

Symbol	Parameter	Min.	Max.	Unit
$V_{IN}$	$V_{IN}$ , $V_{OUT}$ , ENABLE, Voltage to GND	-3.0	6.0	V
	Voltage at C1+, C1-, C2+, and C2-to GND	-3.0	$V_{IN} + 0.3$	V
$P_D$	Power Dissipation		Internally Limited	
$T_L$	Lead Soldering Temperature (10 seconds)		300	C°
$T_J$	Junction Temperature		150	C°
$T_{STG}$	Storage Temperature	-55	150	C°
ESD	Human Body Model (HBM)		2	kV
	Charged Device Model (CDM)		2	kV

**Note:**

2. Using Mil Std. 883E, method 3015.7 (Human Body Model) and EIAJ/JESD22C101-A (Charged Device Model).

## Recommended Operating Conditions

The Recommended Operating Conditions table defines the conditions for actual device operation. Recommended operating conditions are specified to ensure optimal performance to the datasheet specifications. Fairchild does not recommend exceeding them or designing to Absolute Maximum Ratings.

Symbol	Parameter	Condition	Min.	Typ.	Max.	Unit
$V_{IN}$	Input Voltage		1.8		5.5	V
$I_L$	Load Current	$V_{IN} < 2V$			30	mA
		3.3V, $V_{IN} = 3.6V$			200	
		4.5 & 5.5, $V_{IN} = 3.6V$			100	
$T_A$	Ambient Temperature		-40		+85	C°

**Note:**

3. Refer to Figure 9 in Typical Performance Characteristics.

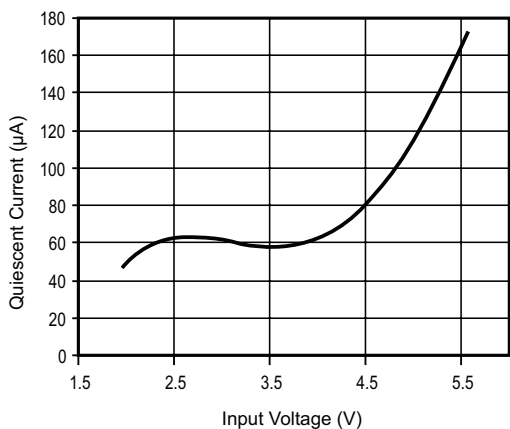
## DC Electrical Characteristics

$V_{IN} = 2.7V$  to  $5.5V$ ,  $C_1 = C_2 = 1\mu F$ ,  $C_{IN} = C_{OUT} = 10\mu F$ ,  $ENABLE = V_{IN}$ ,  $T_A = -40^\circ C$  to  $+85^\circ C$  unless otherwise noted. Typical values are at  $T_A = 25^\circ C$ .

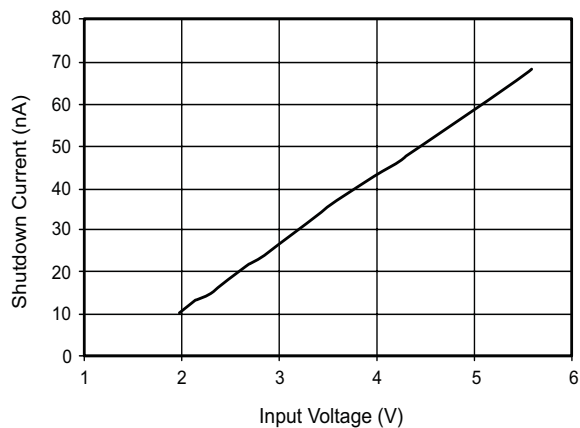
Symbol	Parameter	Condition	Min.	Typ.	Max.	Unit
$V_{UVLO}$	Input Under-Voltage Lockout		1.5	1.7	2.2	v
$V_{OUT}$	Output Voltage	$V_{IN} \geq 0.75 \times V_{NOM}$ , $0mA < I_{LOAD} < 100mA$	$0.97 \times V_{NOM}$	$V_{NOM}$	$1.03 \times V_{NOM}$	V
$I_Q$	Quiescent Current	$V_{IN} \geq 1.1 \times V_{NOM}$ , $I_{LOAD} = 0mA$		170	300	$\mu A$
	Off Mode Supply Current	$ENABLE = GND$		0.1	1.0	$\mu A$
	Output Short-Circuit	$V_{OUT} < 150mV$			200	mA
	Efficiency	$V_{IN} = 0.85 \times V_{NOM}$ , $I_{LOAD} = 30mA$	3.3V	75		%
			4.5,5.0V	80		
		$V_{IN} = 1.1 \times V_{NOM}$ , $I_{LOAD} = 30mA$	3.3V	90		
			4.5,5.0V	92		
$f_{OSC}$	Oscillator Frequency	$T_A = 25^\circ C$	0.7	1.0	1.3	MHz
$T_{SD}$	Thermal Shutdown Threshold			145		$^\circ C$
$T_{SDHYS}$	Thermal Shutdown Threshold Hysteresis			15		$^\circ C$
$V_{IH}$	ENABLE Logic Input High Voltage		1.5			V
$V_{IL}$	ENABLE Logic Input Low Voltage				0.5	V
$I_{EN}$	ENABLE Logic Input Bias Current	$ENABLE = V_{IN}$ or $GND$	-1		1	$\mu A$
$t_{ON}$	$V_{OUT}$ Turn-On Time	$V_{IN} = 0.9 \times V_{NOM}$ , $I_{LOAD} = 0mA$ , 10% to 90%		0.5		ms
	$V_{OUT}$ Ripple	$V_{IN} = 2.5V$ , $I_{LOAD} = 200mA$		10		mVpp

## Typical Performance Characteristics

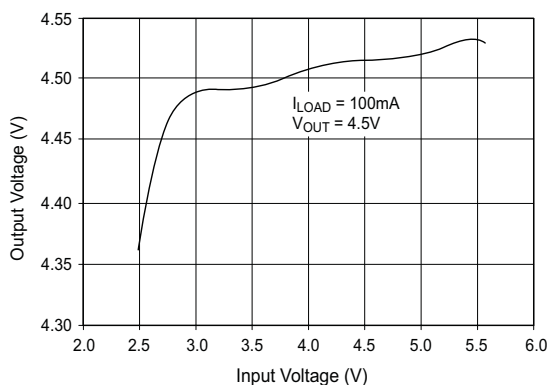
$T_A = 25^\circ\text{C}$ ,  $V_{OUT} = 4.5\text{V}$  unless otherwise noted.



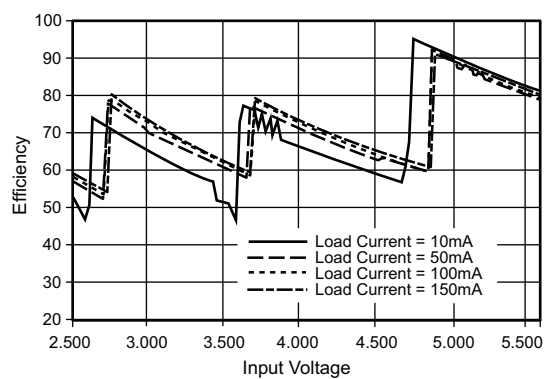
**Figure 4. Quiescent Current vs. Input Voltage**



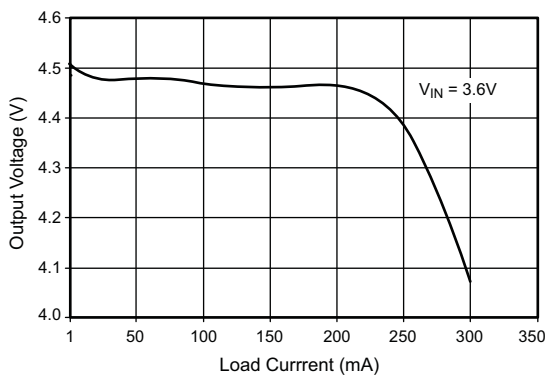
**Figure 5. Shutdown Current vs. Input Voltage**



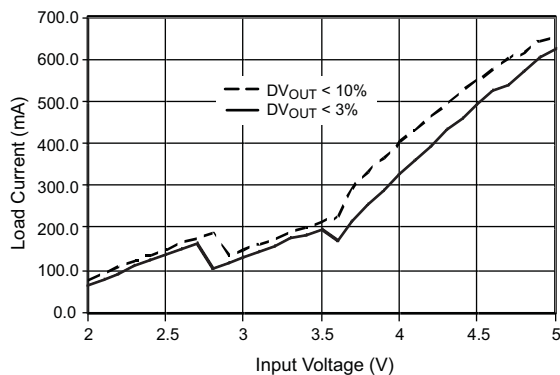
**Figure 6. Line Regulation**



**Figure 7. Efficiency vs. Input Voltage**



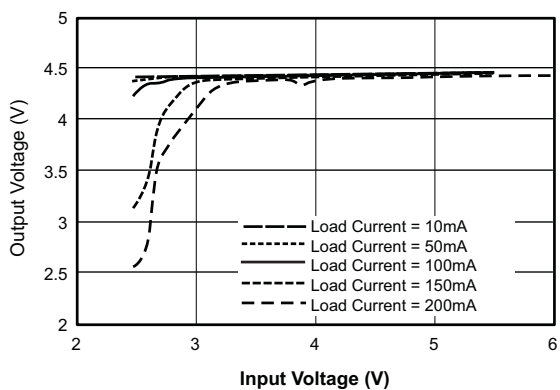
**Figure 8. Load Regulation**



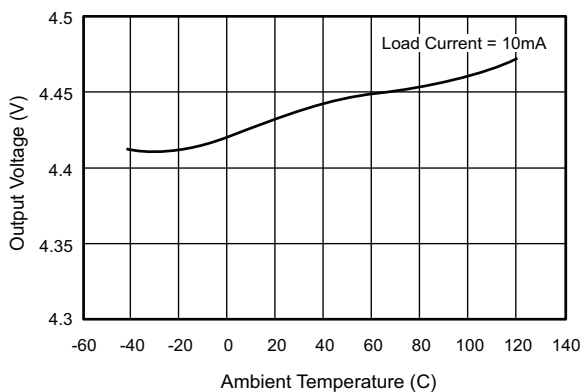
**Figure 9. Output Current Capacity vs. Input Voltage**

### Typical Performance Characteristics (Continued)

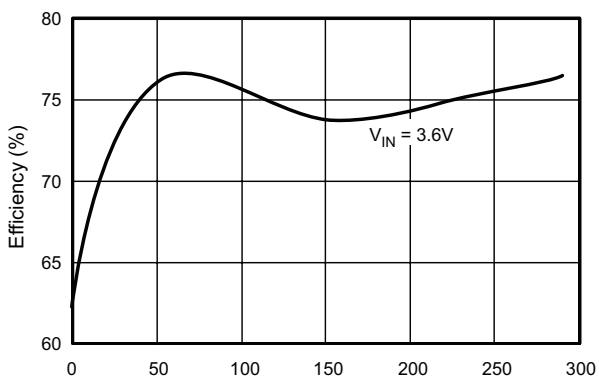
$T_A = 25^\circ\text{C}$  and  $V_{OUT} = 4.5\text{V}$  unless otherwise noted.



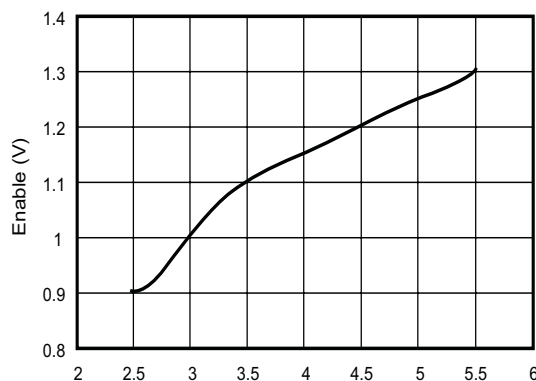
**Figure 10. Output Voltage vs. Input Voltage**



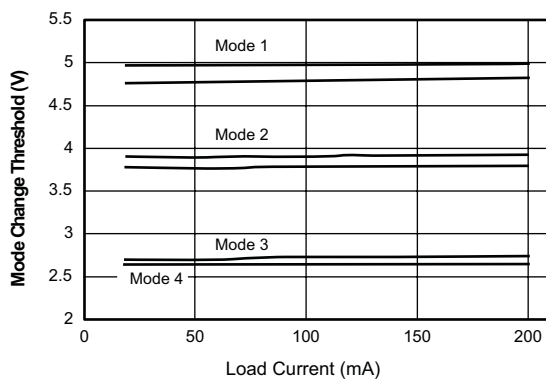
**Figure 11. Output Voltage vs. Ambient Temperature**



**Figure 12. Peak Efficiency vs. Load Current**



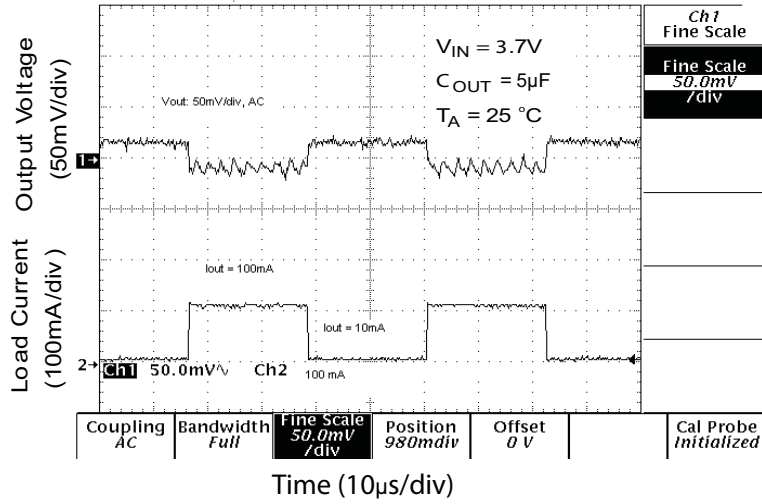
**Figure 13. Enable Threshold vs. Input Voltage**



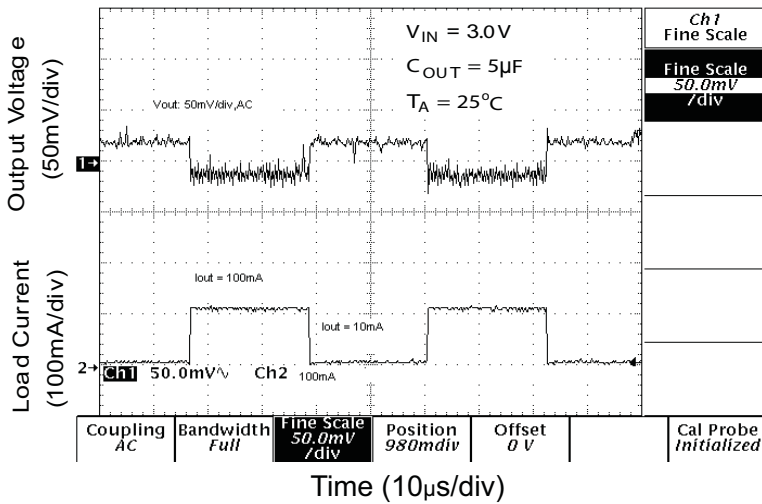
**Figure 14. Mode Change Threshold and Hysteresis**

**Typical Performance Characteristics** (Continued)

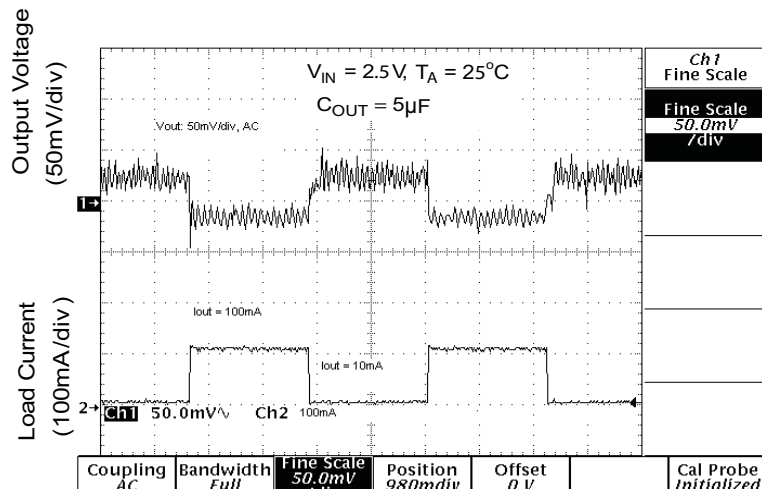
$T_A = 25^\circ\text{C}$ ,  $V_{OUT} = 3.3\text{V}$  unless otherwise noted.



**Figure 15. Load Transient Response (LDO Mode)**



**Figure 16. Load Transient Response (2:3 Mode)**



**Figure 17. Load Transient Response (1:2 Mode)**



### Typical Performance Characteristics (Continued)

$T_A = 25^\circ\text{C}$ ,  $C_{IN} = C_{OUT} = 10\mu\text{F}$ ,  $C_B = 1\mu\text{F}$ ,  $V_{OUT} = 4.5\text{V}$  unless otherwise noted.

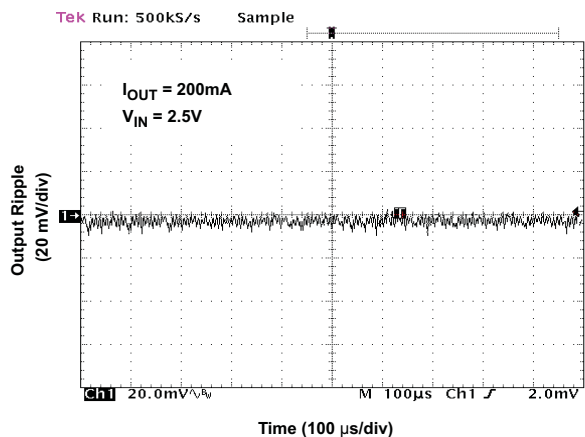


Figure 18. Output Ripple

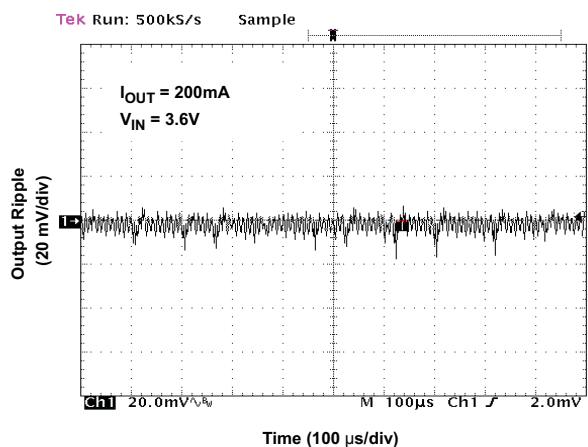


Figure 19. Output Ripple

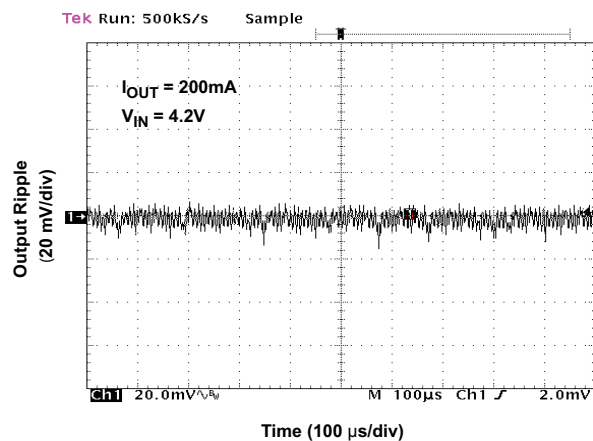


Figure 20. Output Ripple

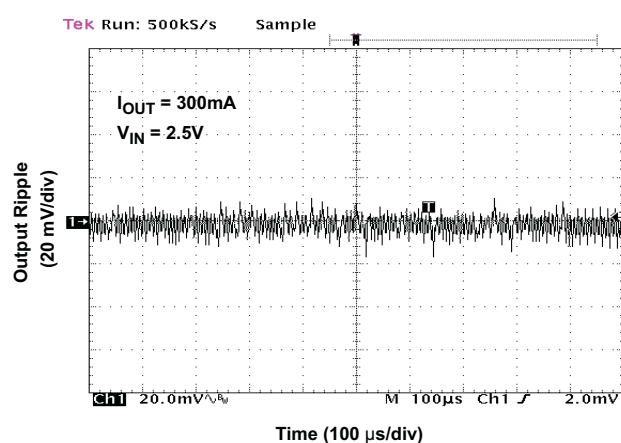


Figure 21. Output Ripple

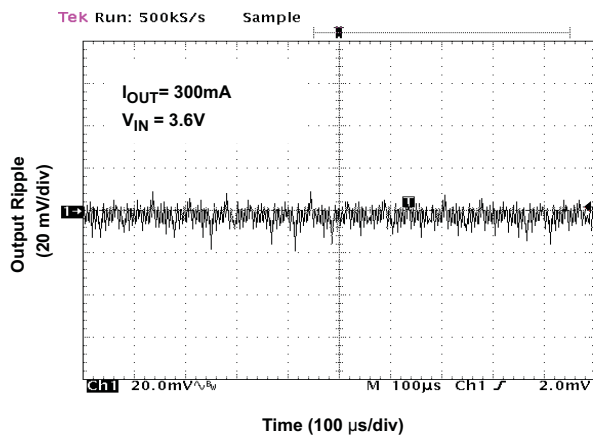


Figure 22. Output Ripple

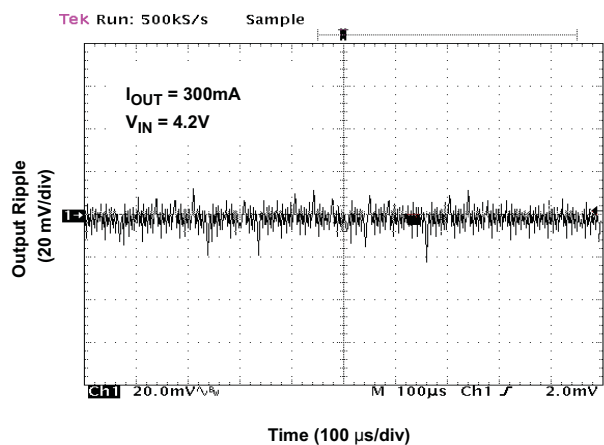


Figure 23. Output Ripple

## Functional Description

FAN5602 is a high-efficiency and low-noise switched capacitor DC/DC converter capable of step-up and step-down operations. It has seven built-in switch configurations. Based on the ratio of the input voltage to the output voltage, the FAN5602 automatically reconfigures the switch to achieve the highest efficiency. The regulation of the output is achieved by a linear regulation loop, which modulates the on-resistance of the power transistors so that the amount of charge transferred from the input to the flying capacitor at each clock cycle is controlled and is equal to the charge needed by the load. The current spike is reduced to minimum. At light load, the FAN5602 automatically switches to Pulse Frequency Modulation (PFM) mode to save power. The regulation at PFM mode is achieved by skipping pulses.

### Linear Regulation Loop

The FAN5602 operates at constant frequency at load higher than 10mA. The linear regulation loop consisting of power transistors, feedback (resistor divider), and error amplifier is used to realize the regulation of the output voltage and to reduce the current spike. The error amplifier takes feedback and reference as inputs and generates the error voltage signal. The error voltage signal is then used as the gate voltage of the power transistor and modulates the on-resistance of the power transistor and, therefore, the charge transferred from the input to the output is controlled and the regulation of the output is realized. Since the charge transfer is controlled, the FAN5602 has a small ESR spike.

### Switch Array

#### Switch Configurations

The FAN5602 has seven built-in switch configurations, including 1:1, 3:2, 2:1 and 3:1 for step-down and 2:3, 1:2 and 1:3 for step-up.

When  $1.5 \times V_{OUT} > V_{IN} > V_{OUT}$ , the 1:1 mode shown in Figure 31 is used. In this mode, the internal oscillator is turned off. The power transistors connecting the input and the output become pass transistors and their gate voltages are controlled by the linear regulation loop, the rest of power transistors are turned off. In this mode, the FAN5602 operates exactly like a low dropout (LDO) regulator and the ripple of the output is in the micro-volt range.

When  $1.5 \times V_{IN} > V_{OUT} > V_{IN}$ , the 2:3 mode (step-up) shown in Figure 32 is used. In the charging phase, two flying capacitors are placed in series and each capacitor is charged to a half of the input voltage. In pumping phase, the flying capacitors are placed in parallel. The

input is connected to the bottom the capacitors so that the top of the capacitors is boosted to a voltage that equals  $V_{IN}/2 + V_{IN}$ , i.e.,  $3/2 \times V_{IN}$ . By connecting the top of the capacitors to the output, one can ideally charge the output to  $3/2 \times V_{IN}$ . If  $3/2 \times V_{IN}$  is higher than the needed  $V_{OUT}$ , the linear regulation loop adjusts the on-resistance to drop some voltage. Boosting the voltage of the top of the capacitors to  $3/2 \times V_{IN}$  by connecting  $V_{IN}$  the bottom of the capacitors, boosts the power efficiency  $3/2$  times. In 2:3 mode, the ideal power efficiency is  $V_{OUT}/1.5 \times V_{IN}$ . For example, if  $V_{IN} = 2V$ ,  $V_{OUT} = 2 \times V_{IN} = 4V$ , the ideal power efficiency is 100%.

When  $2 \times V_{IN} > V_{OUT} > 1.5 \times V_{IN}$ , the 1:2 mode (step-up) shown in Figure 33 is used. Both in the charging phase and in pumping phase, two flying capacitors are placed in parallel. In charging phase, the capacitors are charged to the input voltage. In the pumping phase, the input voltage is placed to the bottom of the capacitors. The top of the capacitors is boosted to  $2 \times V_{IN}$ . By connecting the top of the capacitors to the output, one can ideally charge the output to  $2 \times V_{IN}$ . Boosting the voltage on the top of the capacitors to  $2V_{IN}$  boosts the power efficiency 2 times. In 1:2 mode, the ideal power efficiency is  $V_{OUT}/2 \times V_{IN}$ . For example,  $V_{IN} = 2V$ ,  $V_{OUT} = 2 \times V_{IN} = 4V$ , the ideal power efficiency is 100%.

When  $3 \times V_{IN} > V_{OUT} > 2 \times V_{IN}$ , the 1:3 mode (step-up) shown in Figure 34 is used. In charging phase, two flying capacitors are placed in parallel and each is charged to  $V_{IN}$ . In the pumping phase, the two flying capacitors are placed in series and the input is connected to the bottom of the series connected capacitors. The top of the series connected capacitors is boosted to  $3 \times V_{IN}$ . The ideal power efficiency is boosted 3 times and is equal to  $V_{OUT}/3V_{IN}$ . For example,  $V_{IN} = 1V$ ,  $V_{OUT} = 3 \times V_{IN} = 3V$ , the ideal power efficiency is 100%. By connecting the output to the top of the series connected capacitors, one can charge the output to  $3 \times V_{IN}$ .

The internal logic in the FAN5602 monitors the input and the output compares them, and automatically selects the switch configuration to achieve the highest efficiency.

The step-down modes 3:2, 2:1, and 3:1 can be understood by reversing the function of  $V_{IN}$  and  $V_{OUT}$  in the above discussion.

The built-in modes improve power efficiency and extend the battery life. For example, if  $V_{OUT} = 5V$ , mode 1:2 needs a minimum  $V_{IN} = 2.5V$ . By built-in 1:3 mode, the minimum battery voltage is extended to 1.7V.

## Switch Array Modes

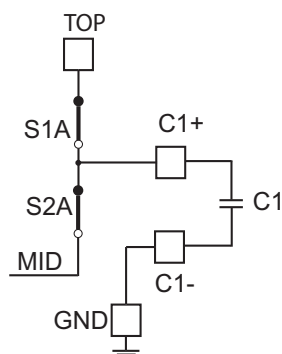


Figure 24. Mode 1 (1:1)

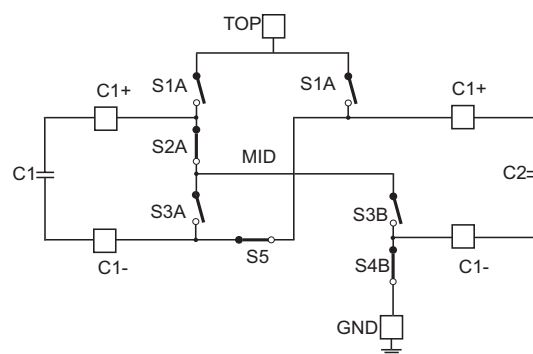


Figure 25. Mode 2 (2:3 or 3:2) All Switches Set for Phase 1 and Reverse State for Phase 2

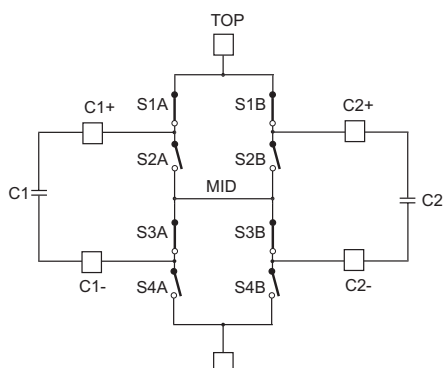


Figure 26. Mode 3 (1:2 or 2:1) All Switches Set for Phase 1 and Reverse State for Phase 2

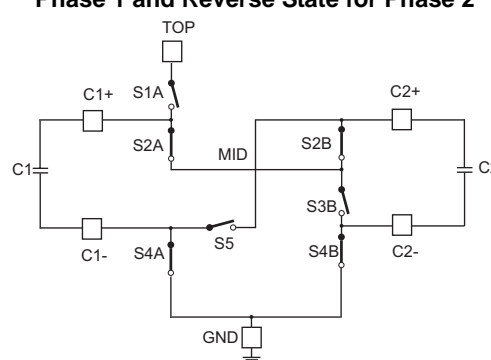


Figure 27. Mode 4 (1:3 or 3:1) All Switches Set for Phase 1 and Reverse State for Phase 2

## Light-Load Operation

The power transistors used in the charge pump are very large in size. The dynamic loss from the switching the power transistors is not small and increases its proportion of the total power consumption as the load gets light. To save power, the FAN5602 switches, when the load is less than 10mA, from constant frequency to pulse-skipping mode (PFM) for modes 2:3(3:2), 1:2(2:1) and 1:3(3:1), except mode 1:1. In PFM mode, the linear loop is disabled and the error amplifier is turned off. A PFM comparator is used to setup an upper threshold and a lower threshold for the output. When the output is lower than the lower threshold, the oscillator is turned on and the charge pump starts working and keeps delivering charges from the input to the output until the output is higher than the upper threshold. The oscillator shuts off power transistors and delivers the charge to the output from the output capacitor. PFM operation is not used for Mode 1:1, even if at light load. Mode 1:1 is designed as an LDO with the oscillator off. The power transistors at LDO mode are not switching and therefore do not have the dynamic loss.

Switching from linear operation to PFM mode ( $I_{LOAD} < 10\text{mA}$ ) and from PFM to linear mode ( $I_{LOAD} > 10\text{mA}$ ) is automatic, based on the load current, which is monitored all the time.

## Short Circuit

When the output voltage is lower than 150mV, the FAN5602 enters short-circuit condition. In this condition, all power transistors are turned off. A small transistor shorting the input and the output turns on and charges the output. This transistor stays on as long as the  $V_{OUT} < 150\text{mV}$ . Since this transistor is very small, the current from the input to the output is limited. Once the short at the output is eliminated, this transistor is large enough to charge the output higher than 150mV and the FAN5602 enters soft-start period.

## Soft Start

The FAN5602 uses a constant current, charging a low-pass filter to generate a ramp. The ramp is used as reference voltage during the startup. Since the ramp starts at zero and goes up slowly, the output follows the ramp and inrush current is restricted. When the ramp is higher than bandgap voltage, the bandgap voltage supersedes ramp as reference and the soft start is over. The soft start takes about 500 $\mu\text{s}$ .

## Thermal Shutdown

The FAN5602 goes to thermal shutdown if the junction temperature is over 150°C with 15°C hysteresis.

## Application Information

### Using the FAN5602 to Drive LCD Backlighting

The FAN5602 4.5V option is ideal for driving the backlighting and flash LEDs for portable devices. One FAN5602 device can supply the roughly 150mA needed to power both the backlight and the flash LEDs. Even though drawing this much current from the FAN5602 drives the part out of the 3% output regulation, it is not a

problem. The backlight and flash LEDs still produce optimal brightness at the reduced regulation. When building this circuit, use ceramic capacitors with low ESR. All capacitors should be placed as close as possible to the FAN5602 in the PCB layout.

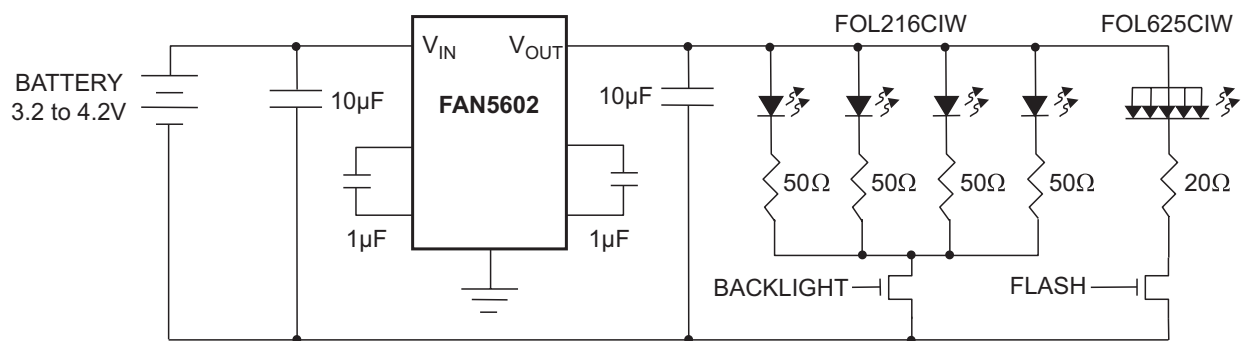
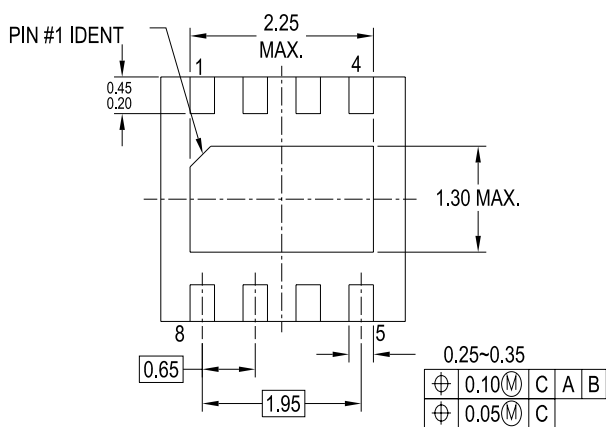
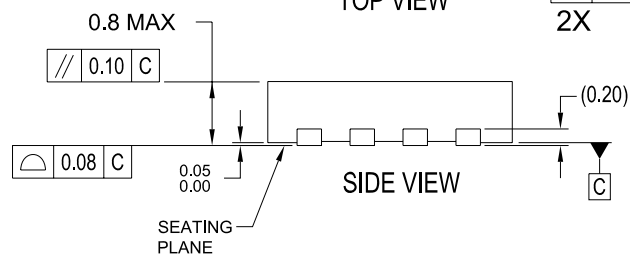
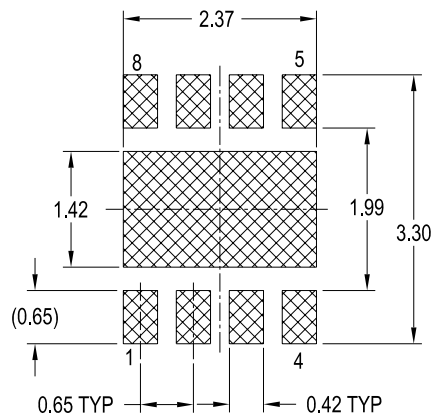
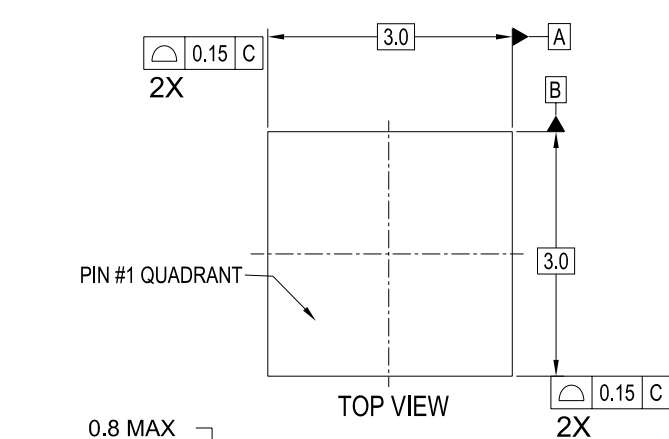


Figure 28. Circuit for Backlighting / Flash Application

### Package Dimensions

Dimensions are in millimeters unless otherwise noted.



#### NOTES:

- A. CONFORMS TO JEDEC REGISTRATION MO-229, VARIATION VEEC, DATED 11/2001
- B. DIMENSIONS ARE IN MILLIMETERS.
- C. DIMENSIONS AND TOLERANCES PER ASME Y14.5M, 1994
- D. FILENAME: MKT-MLP08Drev2


MLP08Drev2

Figure 29. 8-Lead 3x3mm Molded Leadless Package (MLP), .8mm Thick



### TRADEMARKS

The following are registered and unregistered trademarks Fairchild Semiconductor owns or is authorized to use and is not intended to be an exhaustive list of all such trademarks.

ACEx <sup>®</sup>	HiSeC <sup>™</sup>	Power-SPM <sup>™</sup>	TinyBuck <sup>™</sup>
Across the board. Around the world. <sup>™</sup>	<i>i-Lo</i> <sup>™</sup>	PowerTrench <sup>®</sup>	TinyLogic <sup>®</sup>
ActiveArray <sup>™</sup>	ImpliedDisconnect <sup>™</sup>	Programmable Active Droop <sup>™</sup>	TINYOPTO <sup>™</sup>
Bottomless <sup>™</sup>	IntelliMAX <sup>™</sup>	QFET <sup>®</sup>	TinyPower <sup>™</sup>
Build it Now <sup>™</sup>	ISOPLANAR <sup>™</sup>	QS <sup>™</sup>	TinyWire <sup>™</sup>
CoolFET <sup>™</sup>	MICROCOUPLER <sup>™</sup>	QT Optoelectronics <sup>™</sup>	TruTranslation <sup>™</sup>
CorePLUS <sup>™</sup>	MicroPak <sup>™</sup>	Quiet Series <sup>™</sup>	μSerDes <sup>™</sup>
CROSSVOLT <sup>™</sup>	MICROWIRE <sup>™</sup>	RapidConfigure <sup>™</sup>	UHC <sup>®</sup>
CTL <sup>™</sup>	Motion-SPM <sup>™</sup>	RapidConnect <sup>™</sup>	UniFET <sup>™</sup>
Current Transfer Logic <sup>™</sup>	MSX <sup>™</sup>	ScalarPump <sup>™</sup>	VCX <sup>™</sup>
DOMET <sup>™</sup>	MSXPro <sup>™</sup>	SMART START <sup>™</sup>	Wire <sup>™</sup>
E <sup>2</sup> CMOS <sup>™</sup>	OCX <sup>™</sup>	SPM <sup>®</sup>	
EcoSPARK <sup>®</sup>	OCXPro <sup>™</sup>	STEALTH <sup>™</sup>	
EnSigna <sup>™</sup>	OPTOLOGIC <sup>®</sup>	SuperFET <sup>™</sup>	
FACT Quiet Series <sup>™</sup>	OPTOPLANAR <sup>®</sup>	SuperSOT <sup>™</sup> -3	
FACT <sup>®</sup>	PACMAN <sup>™</sup>	SuperSOT <sup>™</sup> -6	
FAST <sup>®</sup>	PDP-SPM <sup>™</sup>	SuperSOT <sup>™</sup> -8	
FAST <sub>r</sub> <sup>™</sup>	POP <sup>™</sup>	SyncFET <sup>™</sup>	
FPS <sup>™</sup>	Power220 <sup>®</sup>	TCM <sup>™</sup>	
FRFET <sup>®</sup>	Power247 <sup>®</sup>	The Power Franchise <sup>®</sup>	
GlobalOptoisolator <sup>™</sup>	PowerEdge <sup>™</sup>	 ™	
GTO <sup>™</sup>	PowerSaver <sup>™</sup>	TinyBoost <sup>™</sup>	

### DISCLAIMER

FAIRCHILD SEMICONDUCTOR RESERVES THE RIGHT TO MAKE CHANGES WITHOUT FURTHER NOTICE TO ANY PRODUCTS HEREIN TO IMPROVE RELIABILITY, FUNCTION, OR DESIGN. FAIRCHILD DOES NOT ASSUME ANY LIABILITY ARISING OUT OF THE APPLICATION OR USE OF ANY PRODUCT OR CIRCUIT DESCRIBED HEREIN; NEITHER DOES IT CONVEY ANY LICENSE UNDER ITS PATENT RIGHTS, NOR THE RIGHTS OF OTHERS. THESE SPECIFICATIONS DO NOT EXPAND THE TERMS OF FAIRCHILD'S WORLDWIDE TERMS AND CONDITIONS, SPECIFICALLY THE WARRANTY THEREIN, WHICH COVERS THESE PRODUCTS.

### LIFE SUPPORT POLICY

FAIRCHILD'S PRODUCTS ARE NOT AUTHORIZED FOR USE AS CRITICAL COMPONENTS IN LIFE SUPPORT DEVICES OR SYSTEMS WITHOUT THE EXPRESS WRITTEN APPROVAL OF FAIRCHILD SEMICONDUCTOR CORPORATION.

As used herein:

1. Life support devices or systems are devices or systems which, (a) are intended for surgical implant into the body or (b) support or sustain life, and (c) whose failure to perform when properly used in accordance with instructions for use provided in the labeling, can be reasonably expected to result in a significant injury of the user.
2. A critical component in any component of a life support, device, or system whose failure to perform can be reasonably expected to cause the failure of the life support device or system, or to affect its safety or effectiveness.

### PRODUCT STATUS DEFINITIONS

#### Definition of Terms

Datasheet Identification	Product Status	Definition
Advance Information	Formative or In Design	This datasheet contains the design specifications for product development. Specifications may change in any manner without notice.
Preliminary	First Production	This datasheet contains preliminary data; supplementary data will be published at a later date. Fairchild Semiconductor reserves the right to make changes at any time without notice to improve design.
No Identification Needed	Full Production	This datasheet contains final specifications. Fairchild Semiconductor reserves the right to make changes at any time without notice to improve design.
Obsolete	Not In Production	This datasheet contains specifications on a product that has been discontinued by Fairchild Semiconductor. The datasheet is printed for reference information only.

Rev. I27