



# TDA8174A

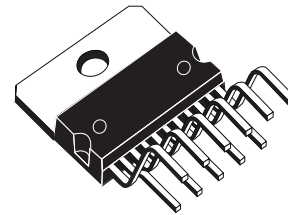
## VERTICAL DEFLECTION CIRCUIT

- Ramp Generator
- Independent Amplitude Adjustment
- Buffer Stage
- Power Amplifier
- Flyback Generator
- Thermal Protection
- Internal Reference Voltage Decoupling

### DESCRIPTION

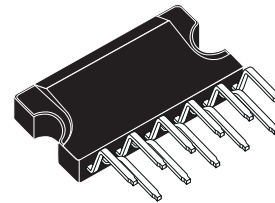
TDA8174A and TDA8174AW are monolithic integrated circuits.

It is a full performance and very efficient vertical deflection circuit intended for direct drive of a TV picture tube in Color and B & W television as well as in Monitor and Data displays.



**MULTIWATT11**  
(Plastic Package)

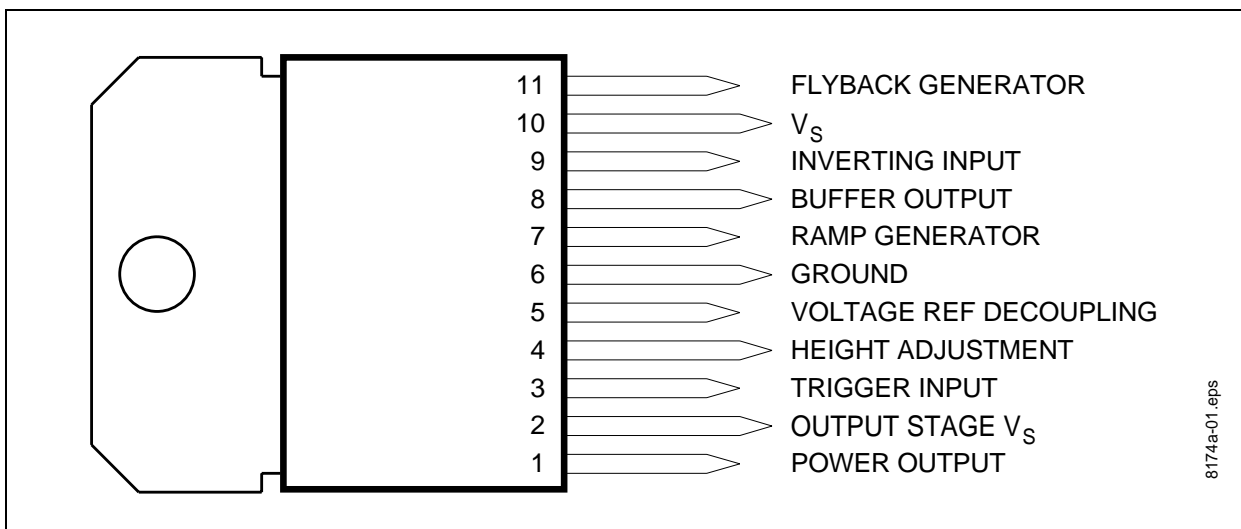
**ORDER CODE: TDA8174A**



**CLIPWATT11**  
(Plastic Package)

**ORDER CODE: TDA8174AW**

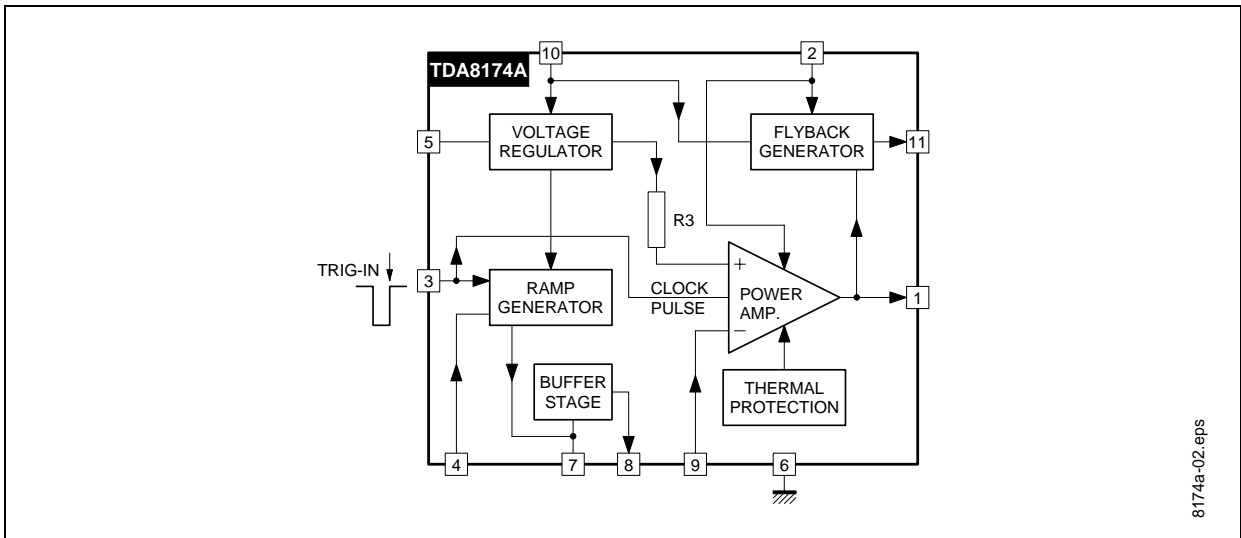
**Figure 1. Pin Connections**



8174a-01.eps

# TDA8174A

Figure 2. Block Diagram



8174a-02.eps

## ABSOLUTE MAXIMUM RATINGS

Symbol	Parameter	Value	Unit
$V_S$	Supply Voltage	35	V
$V_1, V_2$	Flyback Peak Voltage	65	V
$V_3$	Trigger Input Voltage	20	V
$V_9$	Amplifier Input Voltage	GND, $V_S$	V
$I_0$	Output Peak-to-peak Current (non repetitive $t = 2\text{ms}$ )	6	A
$I_0$	Output Peak-to-peak Current $t > 10\mu\text{s}$	4	A
$I_{11}$	Pin 11 DC Current at $V_1 < V_{10}$	100	mA
$I_{11}$	Pin 11 Peak-to-peak Current @ $t_{flv} < 1.5\text{ms}$	3	A
$P_{tot}$	Total Power Dissipation @ $T_{tab} = 60^\circ\text{C}$	30	W
$T_{stg}$	Storage Temperature	- 40, +150	$^\circ\text{C}$
$T_j$	Junction Temperature	0, +150	$^\circ\text{C}$
$T_{amb}$	Ambient Temperature	0, +70	$^\circ\text{C}$

## THERMAL DATA

Symbol	Parameter	Value	Unit
$R_{th(j-tab)}$	Thermal Resistance Junction-tab	Max. 3	$^\circ\text{C/W}$
$R_{th(j-a)}$	Thermal Resistance Junction-ambient	Max. 40	$^\circ\text{C/W}$

**DC ELECTRICAL CHARACTERISTICS** ( $V_S = 35V$  ;  $T_{amb} = 25^{\circ}C$  unless otherwise specified)

Symbol	Parameter	Test Conditions	Min.	Typ.	Max.	Unit
$I_2$	Pin 2 Quiescent Current	$I_1 = 0, I_{11} = 0$		16	36	mA
$I_{10}$	Pin 10 Quiescent Current	$I_1 = 0, I_{11} = 0$		15	30	mA
$-I_7$	Ramp Generator Bias Current	$V_7 = 0$			0.5	$\mu A$
$-I_7$	Ramp Generator Current	$V_7 = 0, -I_4 = 20\mu A$	18.5	20	21.5	$\mu A$
$dI_7/I_7$	Ramp Generator Linearity	$V_6 = 0$ to $15V, -I_4 = 20\mu A$		0.2	1	%
$V_1$	Quiescent Output Voltage	$R_a = 30k\Omega, R_b = 10k\Omega, V_s = 35V$	17.0	17.8	18.6	V
		$R_a = 6.8k\Omega, R_b = 10k\Omega, V_s = 15V$	7.2	7.5	7.8	V
$V_{1L}$	Out Saturation Voltage to GND	$I_1 = 0.5A$		0.5	1	V
		$I_1 = 1.2A$		1	1.4	V
$V_{1H}$	Out Saturation Voltage to $V_s$	$-I_1 = 0.5A$		1.1	1.6	V
		$-I_1 = 1.2A$		1.6	2.2	V
$V_4$	Reference Voltage	$-I_4 = 20\mu A$	6.3	6.6	6.9	V
$dV_4/V_s$	Reference Voltage Drift Versus $V_s$	$V_s = 10V$ to $35V$		1	2	mV/V
$dV_4/dI_4$	Reference Voltage Drift Versus $I_4$	$I_4 = 10\mu A$ to $30\mu A$		1.5	2	mV/ $\mu A$
$V_5$	Internal Reference Voltage		4.25	4.45	4.65	V
$V_{D11-10}$	Diode Fwd Voltage	$I_D = 1.2A$		2.2	3	V
$V_{D1-2}$	Diode Fwd Voltage	$I_D = 1.2A$		2.2	3	V
$G_V$	Output Stage Open Loop Gain	$f = 100Hz$		60		dB
$V_{fs}$	$V_{10-11}$ Saturation Voltage	$-I_{11} = 1.2A$		1.5	2.5	V
$V_{11}$	Pin 11 Scanning Voltage	$I_{11} = 20mA$		1.7	3	V
$V_3$	Trigger Input Threshold	(see note 1)	2.6	3.0	3.4	V
$I_3$	Trigger Input Bias Current	$V_{IN} = V_3 - 0.2V$			30	$\mu A$
$t_3$	Trigger Input Width	(see note 2)	20	60	Th	$\mu S$

**Notes:**

- The trigger input circuit can accept, with a metal option, positive and negative going input pulses.
- $Th = \frac{1.2 \cdot T_S}{V_{PP}}$  where:  $T_S$  is the vertical period and  $V_{PP}$  is ramp amplitude at Pin7.

**AC ELECTRICAL CHARACTERISTICS** ( $V_S = 24V$  ;  $T_{amb} = 25^{\circ}C$  unless otherwise specified)

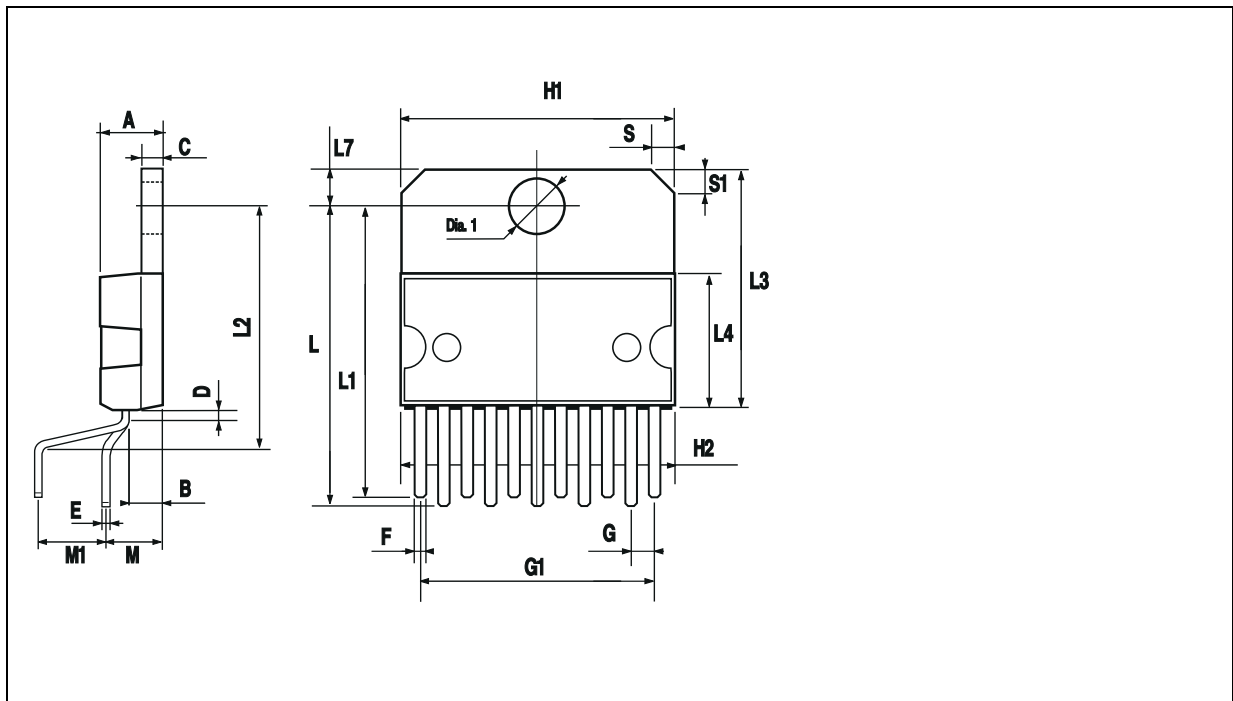
Symbol	Parameter	Test Conditions	Min.	Typ.	Max.	Unit
$V_s$	Operating Supply Voltage Range		10		30	V
$I_1$	Peak-to-peak Operating Current Range		0.4			A
$I_s$	Supply Current	$I_y = 2.4A_{pp}$		315		mA
$V_1$	Flyback Voltage	$I_y = 2.4A_{pp}$		51		V
$V_8$	Sawtooth Pedestall Voltage			1.85		V
$T_{js}$	Junction Temp. for Thermal Shutdown			145		$^{\circ}C$



## PACKAGE MECHANICAL DATA

11 PINS - PLASTIC MULTIWATT

Figure 4. 11-Pin Package

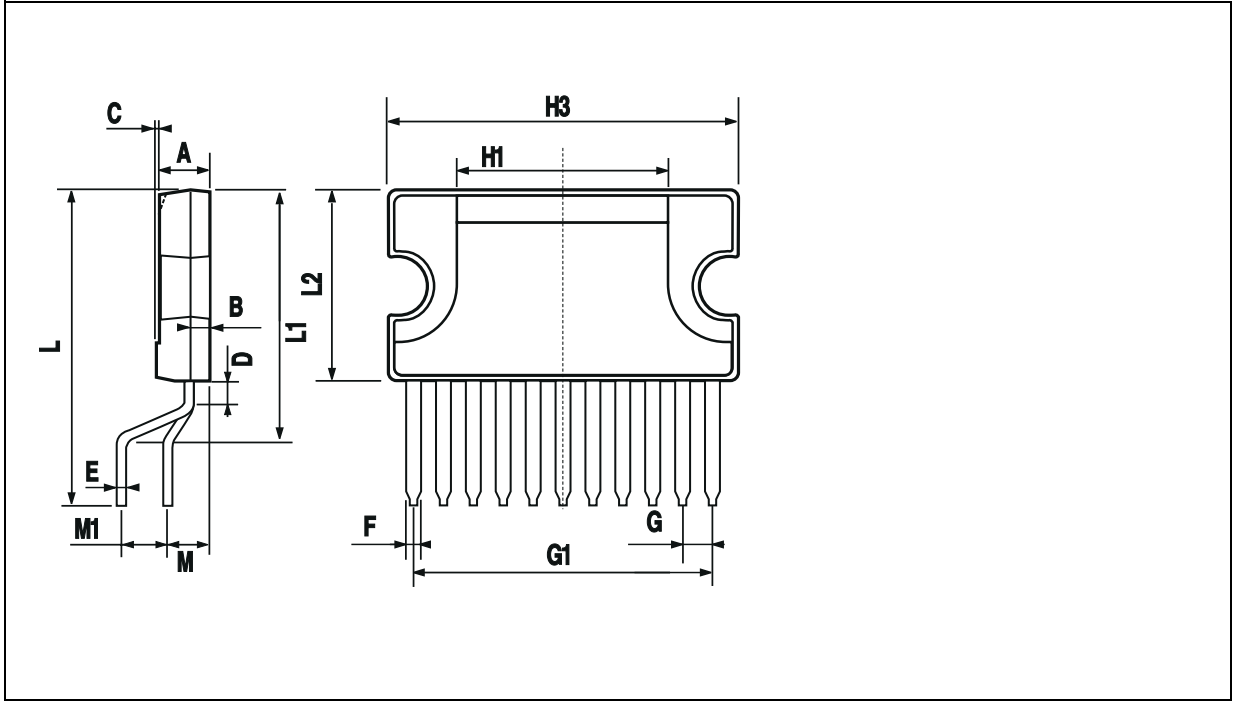


**TDA8174A**

**PACKAGE MECHANICAL DATA (Cont'd)**

11 PINS - PLASTIC CLIPWATT

**Figure 5. 11-Pin Package**



Information furnished is believed to be accurate and reliable. However, STMicroelectronics assumes no responsibility for the consequences of use of such information nor for any infringement of patents or other rights of third parties which may result from its use. No license is granted by implication or otherwise under any patent or patent rights of STMicroelectronics. Specifications mentioned in this publication are subject to change without notice. This publication supersedes and replaces all information previously supplied. STMicroelectronics products are not authorized for use as critical components in life support devices or systems without the express written approval of STMicroelectronics.

The ST logo is a registered trademark of STMicroelectronics

©2003 STMicroelectronics - All Rights Reserved.

Purchase of I<sup>2</sup>C Components by STMicroelectronics conveys a license under the Philips I<sup>2</sup>C Patent. Rights to use these components in an I<sup>2</sup>C system is granted provided that the system conforms to the I<sup>2</sup>C Standard Specification as defined by Philips.

STMicroelectronics Group of Companies

Australia - Brazil - China - Finland - France - Germany - Hong Kong - India - Italy - Japan - Malaysia - Malta - Morocco - Singapore - Spain  
Sweden - Switzerland - United Kingdom - U.S.A.

<http://www.st.com>