

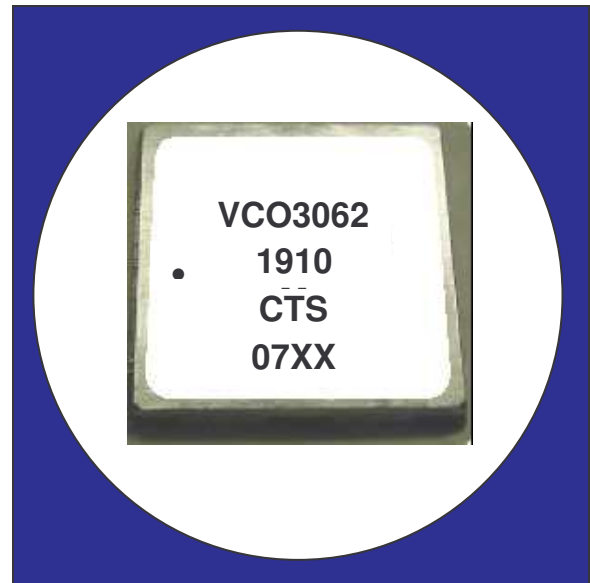
**FEATURES**

- Industry Standard 12.7x12.7mm SMT Footprint
- +4.75Vdc Supply Voltage
- -20°C to +85°C Temp. Range
- Low Phase Noise
- Tape & Reel Packaging
- Fully compliant to RoHS Directive 2002/95/EC

**DESCRIPTION**

The CTS VCO3062 is a high performance SMT VCO. It's low phase noise makes it the ideal choice for any wireless telecommunications system.

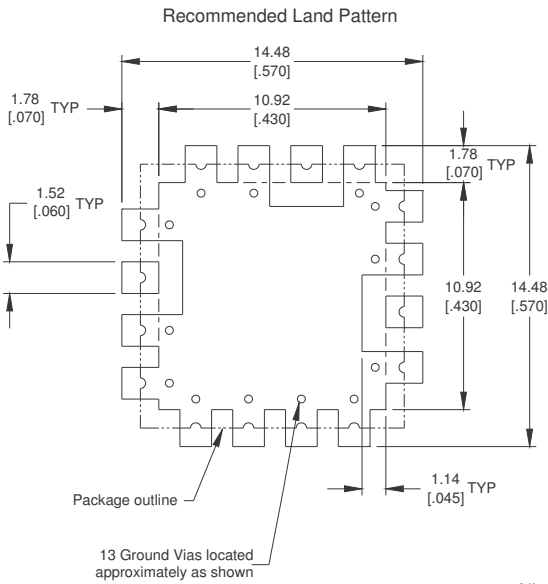
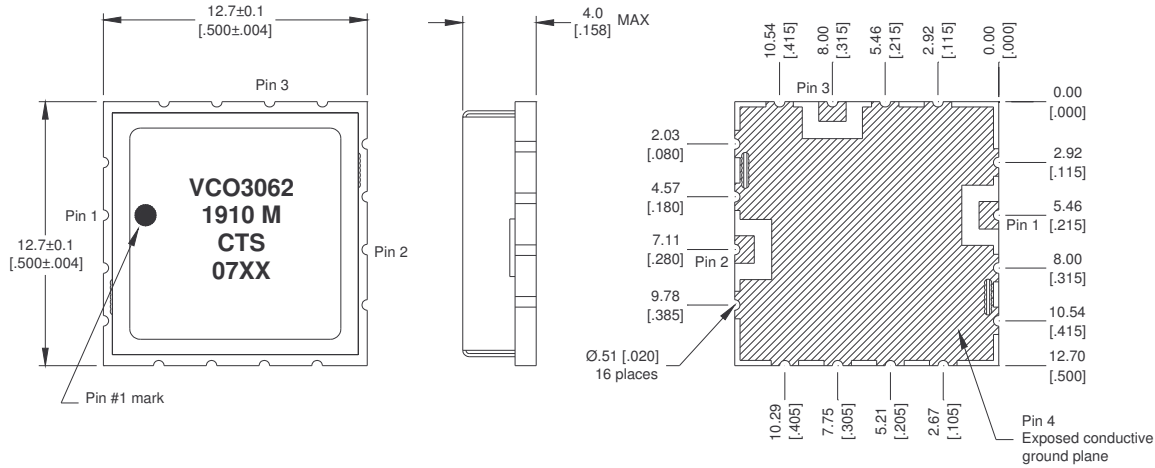
- See [WWW.CTSCORP.COM](http://WWW.CTSCORP.COM) for product patent status.



**ELECTRICAL SPECIFICATIONS**

Parameter	Conditions & Remarks	Min	Typical	Max	Unit
Operating Frequency	F <sub>OUT</sub>	1910	-	2010	MHz
Supply Voltage	V <sub>CC</sub>	4.5	4.75	5.0	Vdc
Supply Current	I <sub>CC</sub>	-	-	29	mA
Operating Temperature Range	T <sub>OP</sub>	-20	-	+85	°C
Storage Temperature Range	T <sub>STG</sub>	-30	-	+85	°C
Tuning Voltage Range	V <sub>T</sub>	0.5	-	4.5	Vdc
Tuning Sensitivity		-	45	-	MHz/V
Power Output	(RF Amplitude)	1	4	7	dBm
Pushing		-1	-	1	MHz/V
Pulling	(12db return loss all phases)	-1	-	1	MHz p-p
Harmonics		-	-	-15	dBc
Spurious response		-	-	-80	dBc
Output Impedance		-	50	-	Ohms
Phase Noise	10kHz	-	-96	-94	dBc/Hz
	100kHz	-	-	-114	dBc/Hz
	1000KHz	-	-136	-133	dBc/Hz

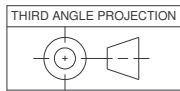
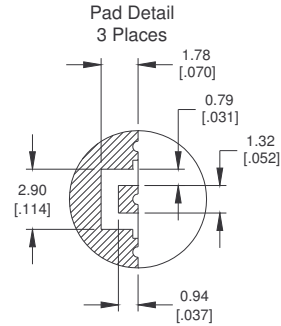
**MECHANICAL SPECIFICATIONS:**



Function table

Pin	Function
1	Vt
2	RF Output
3	Vcc
4	GND

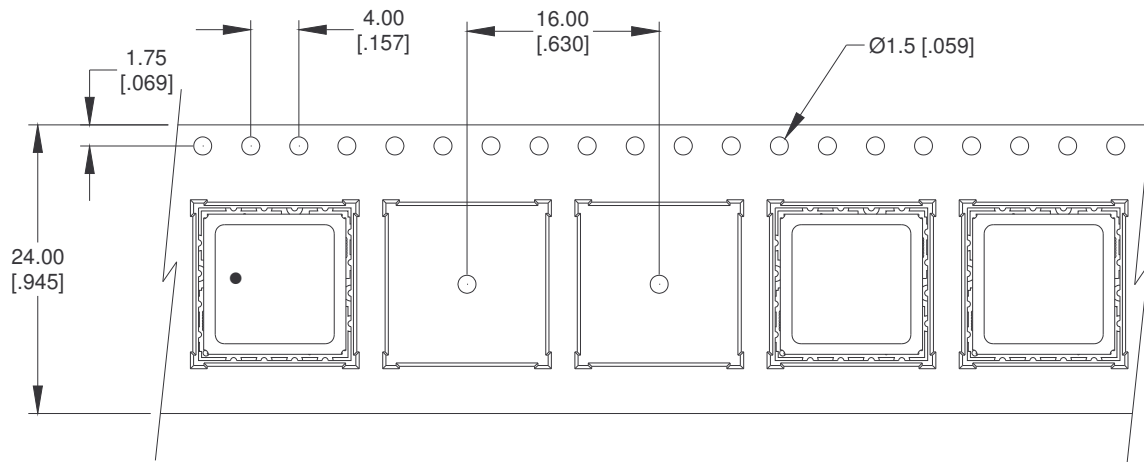
Note: The Lid/Sheild is grounded.



All dimensions are in MM [Inches].  
 All dimensions are nominal unless otherwise specified.  
 Lead Termination Finish: Gold Flash, <10 micro inch, over Ni plated Cu.

**Tape & Reel Information:**

Tape width 24 mm, pitch 16 mm, as per EIA 481-2, 1000 units max per 330 mm reel.



All dimensions are in MM [INCHES].

All dimensions are Nominal

**STANDARD ENVIRONMENTAL LIMITS:**

This product is capable of operating within the following environmental conditions:

**Operating Temperature:** -20 to +85 °C.

**Storage Temperature:** -30 to +85 °C.

**Humidity:** 85% Relative humidity max @ 50°C.

**Solder Reflow Conditions:** Device is capable of withstanding reflow of 260 degrees C for 10 seconds maximum.

**Atmospheric Pressure:** 730 to 780 mm Hg.

**Moisture Sensitivity:** MSL 1

**RoHS:** This device is fully compliant to RoHS Directive 2002/95/EC