



PRELIMINARY

SOLID STATE DEVICES, INC

14849 Firestone Boulevard · La Mirada, CA 90638
Phone: (714) 670-SSDI (7734) · Fax: (714) 522-7424

SPD1192 and SPD1194

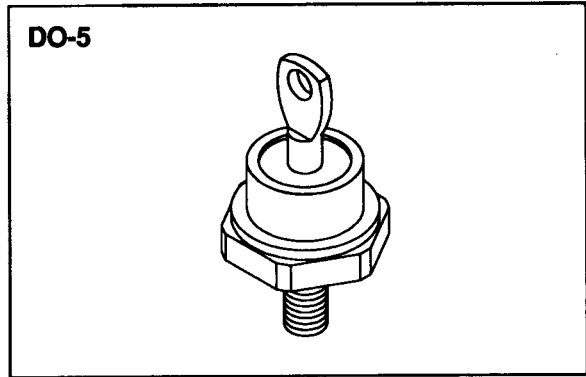
Designer's Data Sheet

FEATURES:

- Fast Recovery: 5 μ sec maximum
- PIV to 1000 Volts
- Low Reverse Leakage Current
- Hermetically Sealed
- Single Chip Construction
- High Surge Rating
- Low Thermal Resistance
- Higher Voltage devices available
- For Reverse Polarity add suffix "R"

- TX, TXV, and Space Level Screening available

35 AMPS 800 and 1000 VOLTS 5 μ sec STANDARD RECOVERY RECTIFIER



MAXIMUM RATINGS

RATING	SYMBOL	VALUE	UNIT
Peak Repetitive Reverse and DC Blocking Voltage SPD1192 SPD1194	VRRM	800	Volts
	VRWM	1000	
	VR		
Average Rectified Forward Current (Resistive Load, 60Hz, Sine Wave, TA=25°C)	IO	35	Amps
Peak Surge Current (8.3 ms Pulse, Half Sine Wave, TA=25°C)	IFSM	500	Amps
Operating and storage temperature	Top & Tstg	-65 to +150	°C
Maximum Thermal Resistance Junction to Case	R θ JC	1.0	°C/W

SPD1192 and SPD1194

PRELIMINARY



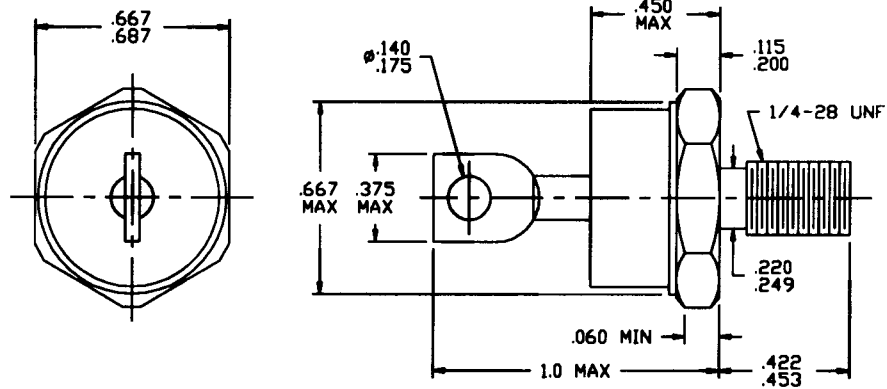
SOLID STATE DEVICES, INC

14849 Firestone Boulevard · La Mirada, CA 90638
Phone: (714) 670-SSDI (7734) · Fax: (714) 522-7424

ELECTRICAL CHARACTERISTICS

CHARACTERISTICS	SYMBOL	MAXIMUM	UNIT
Instantaneous Forward Voltage Drop (IF = 35 Adc, TA=25°C, 300µs Pulse)	VF	1.4	Vdc
Instantaneous Forward Voltage Drop (IF = 35 Adc, TA= - 55°C, 300µs Pulse)	VF	1.6	Vdc
Reverse Leakage Current (Rated VR, TA=25°C, 300µs pulse minimum)	IR	20	µA
Reverse Leakage Current (Rated VR, TA=100°C, 300µs pulse minimum)	IR	2	mA
Junction Capacitance (VR = 10 Vdc, TA=25°C, f= 1 MHz)	CJ	250	pf
Reverse Recovery Time (IF=500mA, IR=1 A, IRR=250mA, TA=25°C)	trr	5	µsec

CASE OUTLINE: DO-5



TYPICAL OPERATING CURVES

TA=25°C Unless otherwise specified

