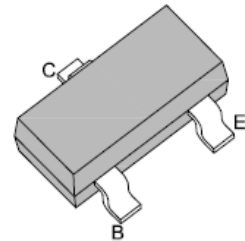


SMD High Voltage Transistor (NPN)

Features

- This device is designed for application as a video output to drive color CRT and other high voltage applications.
- RoHS compliance



SOT-23



Mechanical Data

Case:	SOT-23, Plastic Package
Terminals:	Solderable per MIL-STD-202G, Method 208
Weight:	0.008 gram

Maximum Ratings *(T_{Ambient}=25°C unless noted otherwise)*

Symbol	Description	MMBTA42	Unit
	Marking Code	1D	
V_{CB0}	Collector-Base Voltage	300	V
V_{CE0}	Collector-Emitter Voltage	300	V
V_{EB0}	Emitter-Base Voltage	6	V
I_c	Collector Current	500	mA
P_{tot}	Power Dissipation up to T _A =25°C	250	mW
T_J	Junction Temperature	150	°C
T_{STG}	Storage Temperature Range	-55 to +150	°C

SMD High Voltage Transistor (NPN)

MMBTA42

Electrical Characteristics ($T_{Ambient}=25^{\circ}C$ unless noted otherwise)

Symbol	Description	MMBTA42		Unit	Conditions
		Min.	Max.		
h_{FE}	D.C. Current Gain	25	-		$V_{CE}=10V, I_C=1mA$
		40	-		$V_{CE}=10V, I_C=10mA$
		40	-		$V_{CE}=10V, I_C=30mA$
V_{(BR)CEO}	Collector-Emitter Breakdown Voltage	300	-	V	$I_C=1mA, I_B=0$
V_{(BR)CBO}	Collector-Base Breakdown Voltage	300	-	V	$I_C=100\mu A, I_E=0$
V_{(BR)EBO}	Emitter-Base Breakdown Voltage	6	-	V	$I_E=100\mu A, I_C=0$
V_{CE(sat)}	Collector-Emitter Saturation Voltage	-	0.5	V	$I_C=20mA, I_B=2mA$
V_{BE(sat)}	Base-Emitter Saturation Voltage	-	0.9	V	$I_C=20mA, I_B=2mA$
I_{EBO}	Collector-Emitter Cut-off Current	-	0.1	μA	$V_{BE}=6V, I_C=0$
I_{CBO}	Collector-Base Cut-off Current	-	0.1	μA	$V_{CB}=200V, I_E=0$
f_T	Current Gain-Bandwidth Product	50	-	MHz	$V_{CE}=20V, I_C=10mA, f=35MHz$
C_{re}	Feedback Capacitance	-	3	pF	$V_{CB}=20V, I_E=0, f=1.0MHz,$

SMD High Voltage Transistor (NPN)

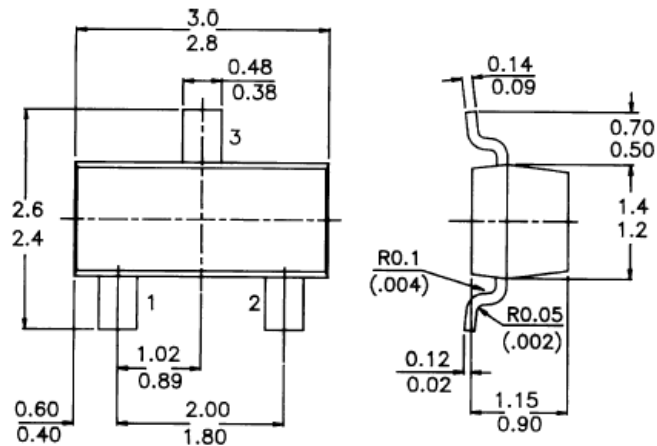
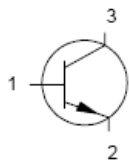
MMBTA42

Dimensions in mm

SOT-23

Pin configuration

- 1 = BASE
- 2 = EMITTER
- 3 = COLLECTOR



How to contact us:

US HEADQUARTERS

28040 WEST HARRISON PARKWAY, VALENCIA, CA 91355-4162

Tel: (800) TAITRON (800) 824-8766 (661) 257-6060

Fax: (800) TAITFAX (800) 824-8329 (661) 257-6415

Email: taitron@taitroncomponents.com

Http://www.taitroncomponents.com

TAITRON COMPONENTS MEXICO, S.A .DE C.V.

BOULEVARD CENTRAL 5000 INTERIOR 5 PARQUE INDUSTRIAL ATITALAQUIA, HIDALGO C.P.

42970 MEXICO

Tel: +52-55-5560-1519

Fax: +52-55-5560-2190

TAITRON COMPONENTS INCORPORATED REPRESENTAÇÕES DO BRASIL LTDA

RUA DOMINGOS DE MORAIS, 2777, 2.ANDAR, SALA 24 SAÚDE - SÃO PAULO-SP 04035-001 BRAZIL

Tel: +55-11-5574-7949

Fax: +55-11-5572-0052

TAITRON COMPONENTS INCORPORATED, SHANGHAI REPRESENTATIVE OFFICE

METROBANK PLAZA, 1160 WEST YAN' AN ROAD, SUITE 1503, SHANGHAI, 200052, CHINA

Tel: +86-21-5424-9942

Fax: +86-21-5424-9931