

Silicon Epitaxial Planar Diode

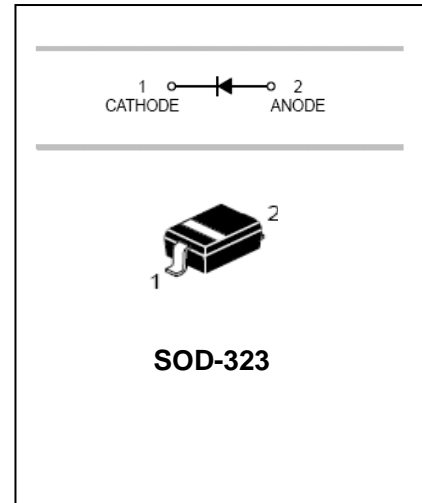
BAS316

FEATURES

- Very small plastic SMD package.
- High switching speed:max.4ns
- Continuous reverse voltage:max.100v
- Repetitive peak reverse voltage:max.100v
- Repetitive peak forward current:max.500mA



Lead-free



APPLICATIONS

- Surface mount fast switching diode

ORDERING INFORMATION

Type No.	Marking	Package Code
BAS316	A6	SOD-323

MAXIMUM RATING @ Ta=25°C unless otherwise specified

Characteristic	Symbol	Value	Unit
DC Reverse Voltage	V_R	100	V
Forward Current	I_F	300	mA
Power Dissipation	P_d	200	mW
Junction and Storage Temperature Range	T_j, T_{STG}	-65 to +150	°C

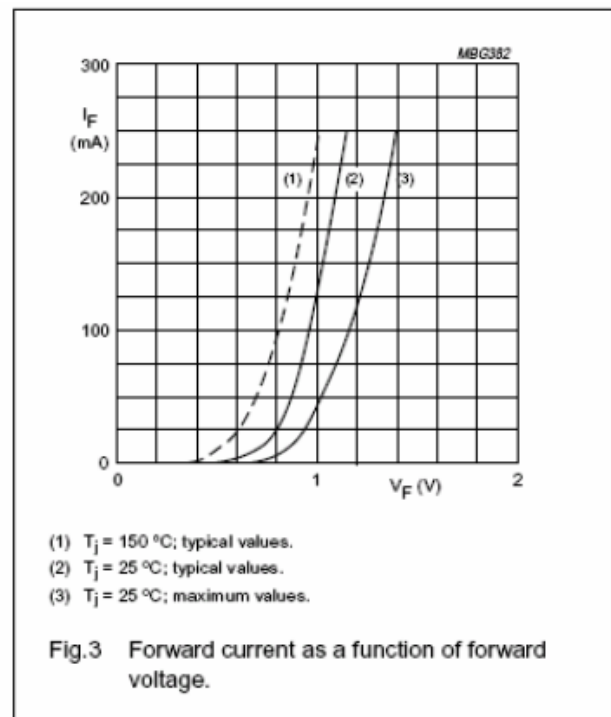
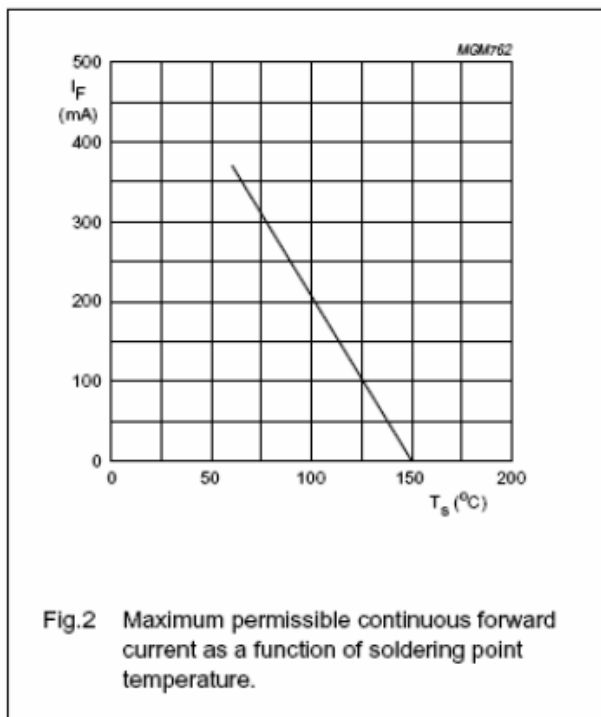
Silicon Epitaxial Planar Diode

BAS316

ELECTRICAL CHARACTERISTICS @ Ta=25°C unless otherwise specified

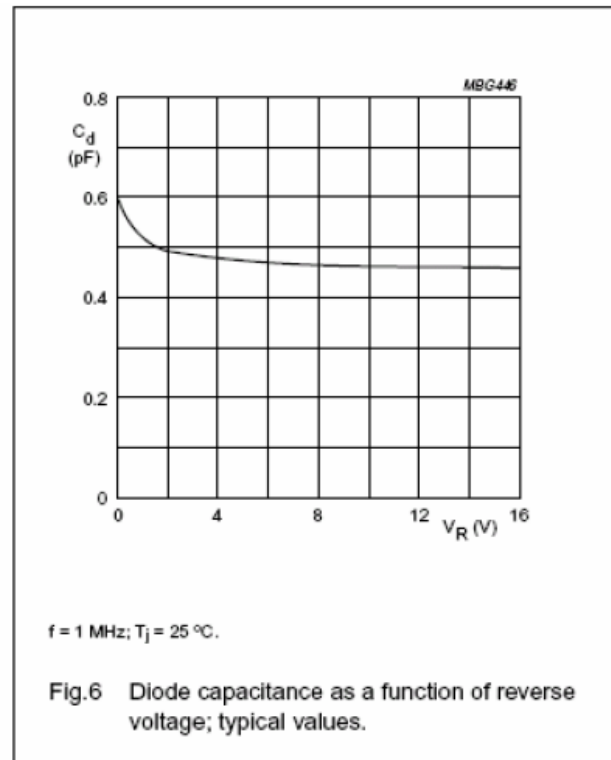
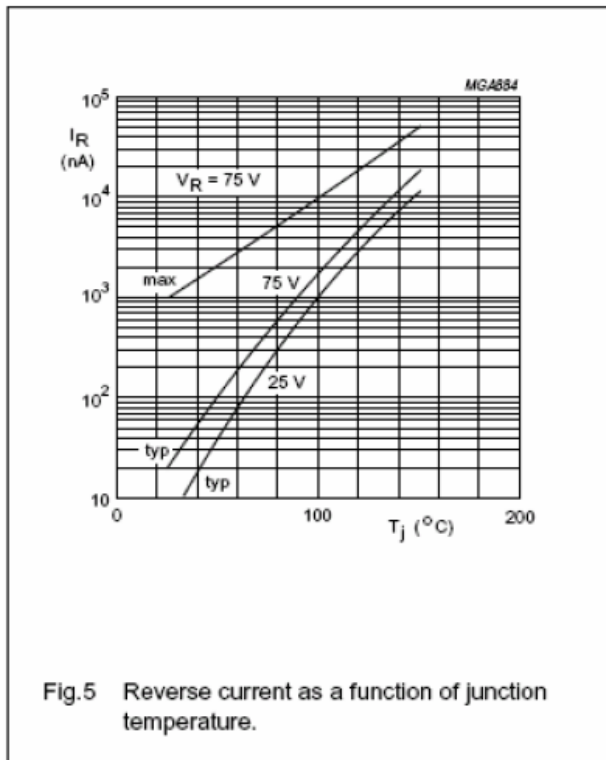
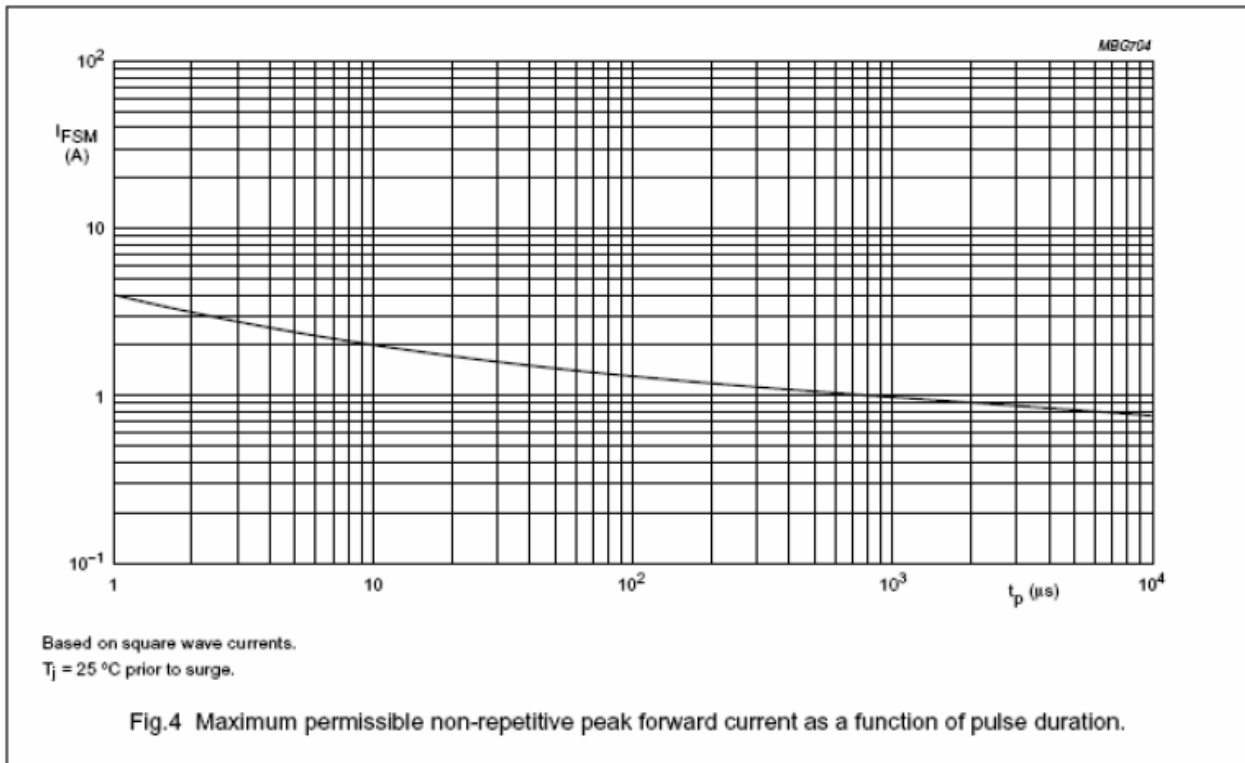
Characteristic	Symbol	Min	Max	Unit	Test Condition
Reverse Breakdown Voltage	$V_{(BR)R}$	100	-	V	$I_R=100\mu A$
Forward Voltage	V_F	0.62	0.715 0.855 1.0 1.25	V	$I_F=1.0mA$ $I_F=10mA$ $I_F=50mA$ $I_F=150mA$
Reverse Current	I_R	-	1.0 0.03	μA	$V_R=75V$ $V_R=25V$
Capacitance between terminals	C_T	-	1.5	pF	$V_R=0, f=1.0MHz$
Reverse Recovery Time	t_{rr}	-	4.0	ns	$I_F=I_R=10mA, R_L=100\Omega$

TYPICAL CHARACTERISTICS @ Ta=25°C unless otherwise specified



Silicon Epitaxial Planar Diode

BAS316



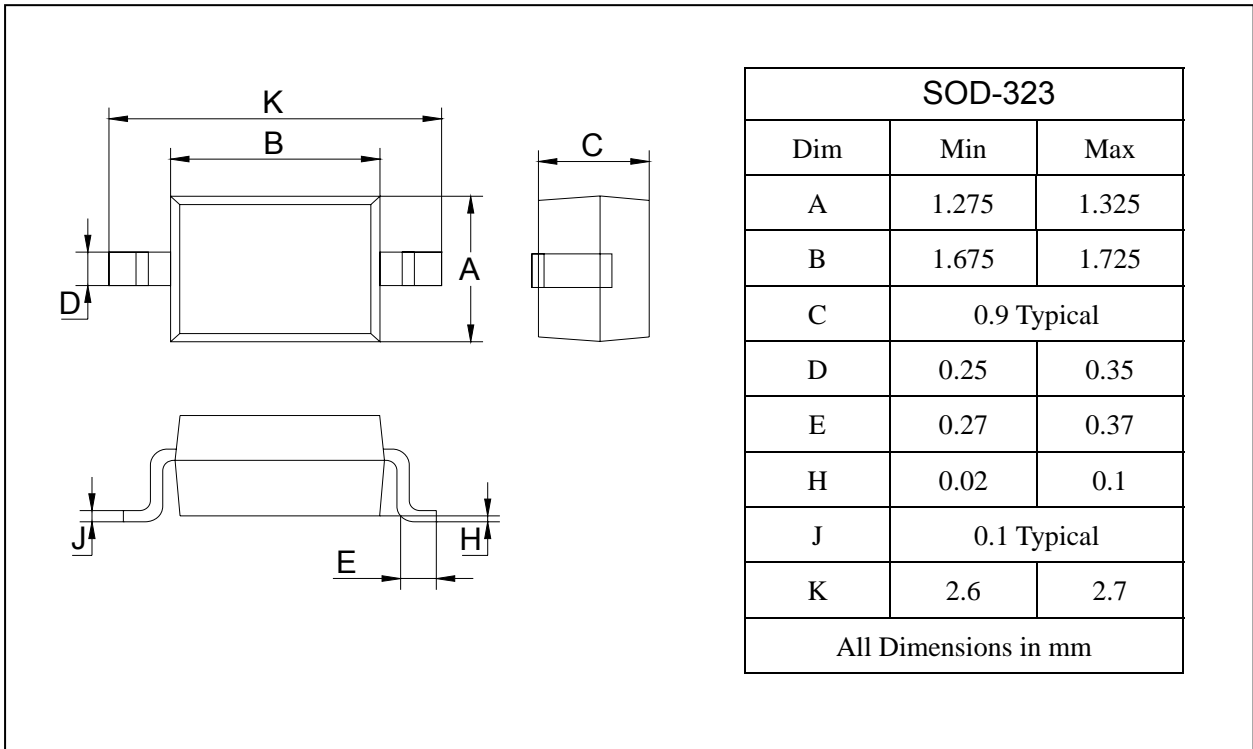
Silicon Epitaxial Planar Diode

BAS316

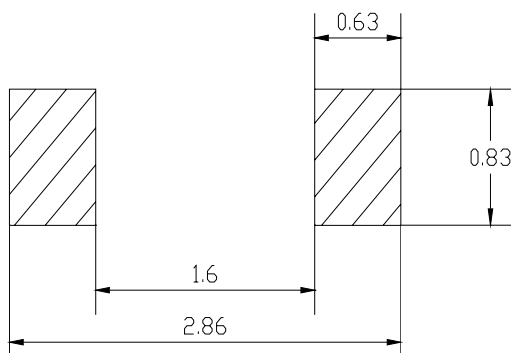
PACKAGE OUTLINE

Plastic surface mounted package

SOD-323



SOLDERING FOOTPRINT



Unit : mm

PACKAGE INFORMATION

Device	Package	Shipping
BAS316	SOD-323	3000/Tape&Reel