

Metal Oxide Resistor – Normal & Miniature Style

Features

- Low cost, high performance, excellent long-term stability
- High power-to-size ratio for significant space savings
- High surge/overload capability, controlled temperature coefficient
- Non-inductive design, wide resistance range (1Ω to 1MΩ & 0 Ω for E24 series value)
- Standard tolerance: ±5% (±2% is available on request)
- RoHS Compliant



Mechanical Data

- Complete flameproof construction in accordance with article UL94V-0
- Bulk, tape and reel standard, cut and formed, or radial Panasert/Avisert available upon request

Absolute Maximum Ratings & Characteristics

Description	RMX 25T	RMX S50T	RMX 50T	RMX S1W	RMX 1W	RMX S2W	RMX 2W	RMX S3W	RMX 3W	RMX S5W	RMX 5W	Unit
Power Rating at 70° C	1/4	1/2	1/2	1	1	2	2	3	3	5	5	W
Maximum Working Voltage	200	250	250	300	350	350	350	350	500	750	750	V
Maximum Overload Voltage	300	400	400	500	600	600	600	600	800	1000	1000	V
Dielectric Withstanding Voltage	250	350	350	400	500	500	500	500	700	750	750	V
Resistance Range	1 ~ 1M & 0 (Note 1)											Ω
Operating Temperature Range	-55 to +155											° C
Temperature Coefficient	±300											ppm/° C

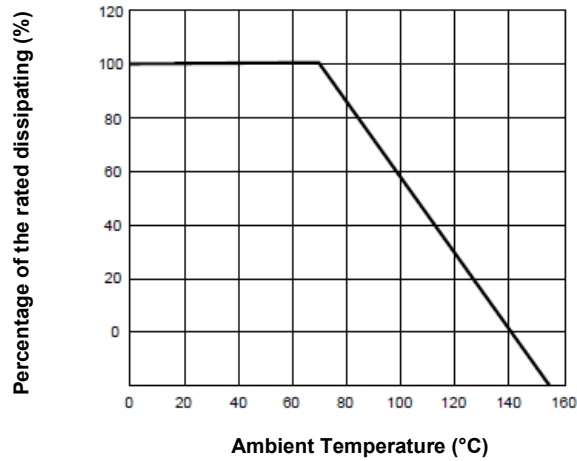
Note 1: E-24 series, below or over this resistance available on request

Metal Oxide Resistor - Normal & Miniature Style

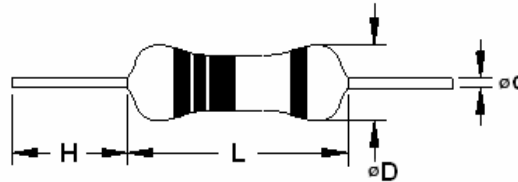
RMX & RMXS Series

Power Derating Curve

For resistors operate in the ambient temperature over 70°C, loading power ratio will derate in accordance with following curve.



Dimensions (in mm)



Type		L	ØD	H	Ød
RMX25T	RMXS50T	6.3±0.5	2.4±0.2	28±2.0	0.55±0.05
RMX50T	RMXS1W	9.0±0.5	3.3±0.3	26±2.0	0.55±0.05
RMX1W	RMXS2W	11.5±1.0	4.5±0.5	35±2.0	0.8±0.05
RMX2W	RMXS3W	15.5±1.0	5.0±0.5	33±2.0	0.8±0.05
RMX3W	RMXS5W	24.5±1.0	8.5±1.0	38±2.0	0.8±0.05
RMX5W	--	24.5±1.0	8.5±1.0	38±2.0	0.8±0.05

Metal Oxide Resistor - Normal & Miniature Style

RMX & RMXS Series

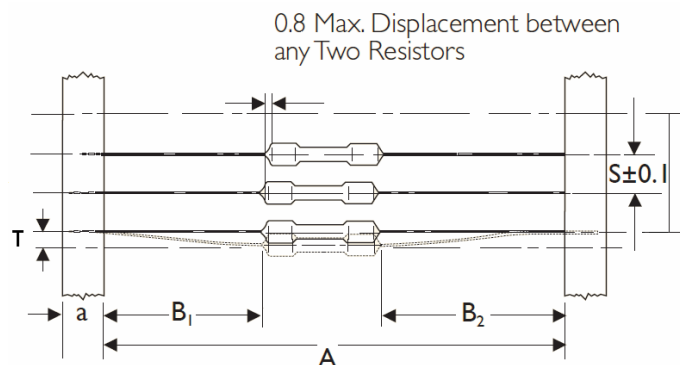
Environmental Performance Specification

Item	Test Methods		Specifications
Short Time Overload	JIS-C-5202 5.5	2.5 Times RCWV* for 5 seconds	±(1.0% +0.05Ω) (Normal Style)
			±(2.0% +0.05Ω) (Miniature Style)
Dielectric Withstanding Voltage	JIS-C-5202 5.7	In V-Block for 60 Seconds	by Type
Temperature Coefficient	JIS-C-5202 5.2	-55°C to +155°C	by Type
Insulation Resistance	JIS-C-5202 5.6	In V-Block	>1000MΩ
Solderability	JIS-C-5202 6.5	260°C±5°C for 5±0.5 Seconds	95% Min. Coverage
Resistance to Solvent	JIS-C-5202 6.9	IPA for 1 minute with Ultrasonic	No Deterioration of Coatings and Markings
Terminal Strength	JIS-C-5202 6.1	Direct Load for 10 Seconds in The Direction of the Terminal Leads	≥2.5kg (24.5N)
Pulse Overload	JIS-C-5202 5.8	4 Times RCWV 10000 Cycle (1 sec. on, 25 sec. off)	±(2% +0.05Ω)
Load Life in Humidity	JIS-C-5202 7.9	40±2°C , 90-95% RH at RCWV for 1000 hours (1.5 Hrs. on, 0.5 Hrs. off)	±(5% +0.05Ω)
Load Life	JIS-C-5202 7.10	70°C at RCWV for 1000 Hrs (1.5 Hrs. on, 0.5 Hrs. off)	±(5% +0.05Ω)
Temperature Cycling	JIS-C-5202 7.4	-55°C → Room Temp. → +155°C → Room Temp. for 5 Cycles	±(1% +0.05Ω)
Resistance to Soldering Heat	JIS-C-5202 6.4	350°C±10°C for 3±0.5 Seconds	±(1% +0.05Ω)

* Rated Continuous Working Voltage (RCWV) = $\sqrt{\text{Power Rating} \times \text{Resistance Value}}$

Packing Information

Carrier Tape Dimensions (in mm)

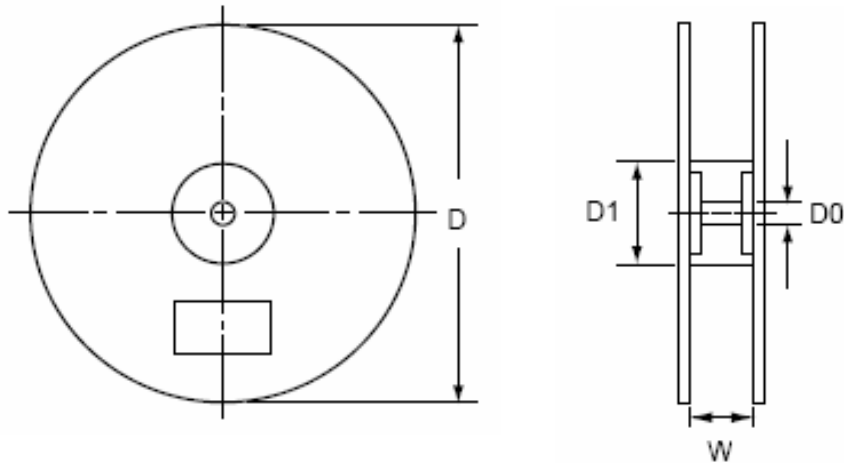


Metal Oxide Resistor - Normal & Miniature Style

RMX & RMXS Series

Type		a	A	B1-B2	S (Spacing)	T (Max. Deviation of Spacing)
Normal	Miniature					
RMX25T	RMXS50T	6±0.5	52.4±1.5	1.2	5	1mm per 10 spacing, 0.5mm per 5 spacing
RMX50T	RMXS1W	6±0.5	52.4±1.5	1.2	5	
RMX1W	RMXS2W	6±0.5	73.0±1.5	1.5	5	
RMX2W	RMXS3W	6±0.5	73.0±1.5	1.5	10	
RMX3W	RMXS5W	6±0.5	91.0±1.5	1.5	10	
RMX5W	--	6±0.5	91.0±1.5	1.5	10	

Reel Dimensions (in mm)

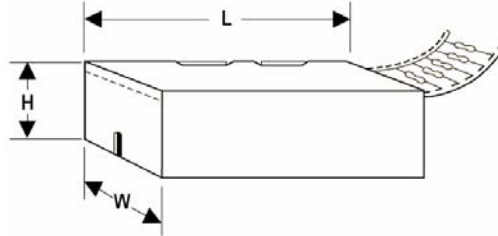


Type		Tape On Reel			
Normal	Miniature	D	W	D0	D1
RMX25T	RMXS50T	304.8	72	15	51
RMX50T	RMXS1W	304.8	72	15	51
RMX1W	RMXS2W	304.8	95	15	51
RMX2W	RMXS3W	304.8	95	15	51
RMX3W	RMXS5W	304.8	95	15	51
RMX5W	--	304.8	95	15	51

Metal Oxide Resistor - Normal & Miniature Style

RMX & RMXS Series

Tape On Box Packing



Type		Tape On Box		
Normal	Miniature	W	H	L
RMX25T	RMXS50T	76	70	260
RMX50T	RMXS1W	76	70	260
RMX1W	RMXS2W	110	70	260
RMX2W	RMXS3W	100	90	260
RMX3W	RMXS5W	116	79	260
RMX5W	--	116	79	260

Packing Quantity Information

Quantity		Tape On Reel		
		PCS per Reel	PCS per Inner Box	PCS per Carton
RMX25T	RMXS50T	5,000	5,000	50,000
RMX50T	RMXS1W	2,500	2,500	25,000
RMX1W	RMXS2W	2,000	2,000	16,000
RMX2W	RMXS3W	1,000	1,000	8,000
RMX3W	RMXS5W	500	500	5,000
RMX5W	--	500	500	5,000

Metal Oxide Resistor - Normal & Miniature Style

RMX & RMXS Series

Quantity		Tape On Box	
		PCS per Inner Box	PCS per Carton
RMX25T	RMXS50T	5,000	75,000
RMX50T	RMXS1W	1,000	30,000
RMX1W	RMXS2W	1,000	16,000
RMX2W	RMXS3W	1,000	12,000
RMX3W	RMXS5W	250	3,500
RMX5W	--	250	3,500

Quantity		Bulk		
		PCS per Bag	PCS per Inner Box	PCS per Carton
RMX25T	RMXS50T	1,000	10,000	80,000
RMX50T	RMXS1W	500	5,000	40,000
RMX1W	RMXS2W	500	2,000	32,000
RMX2W	RMXS3W	200	2,000	16,000
RMX3W	RMXS5W	500	500	4,000
RMX5W	--	500	500	4,000

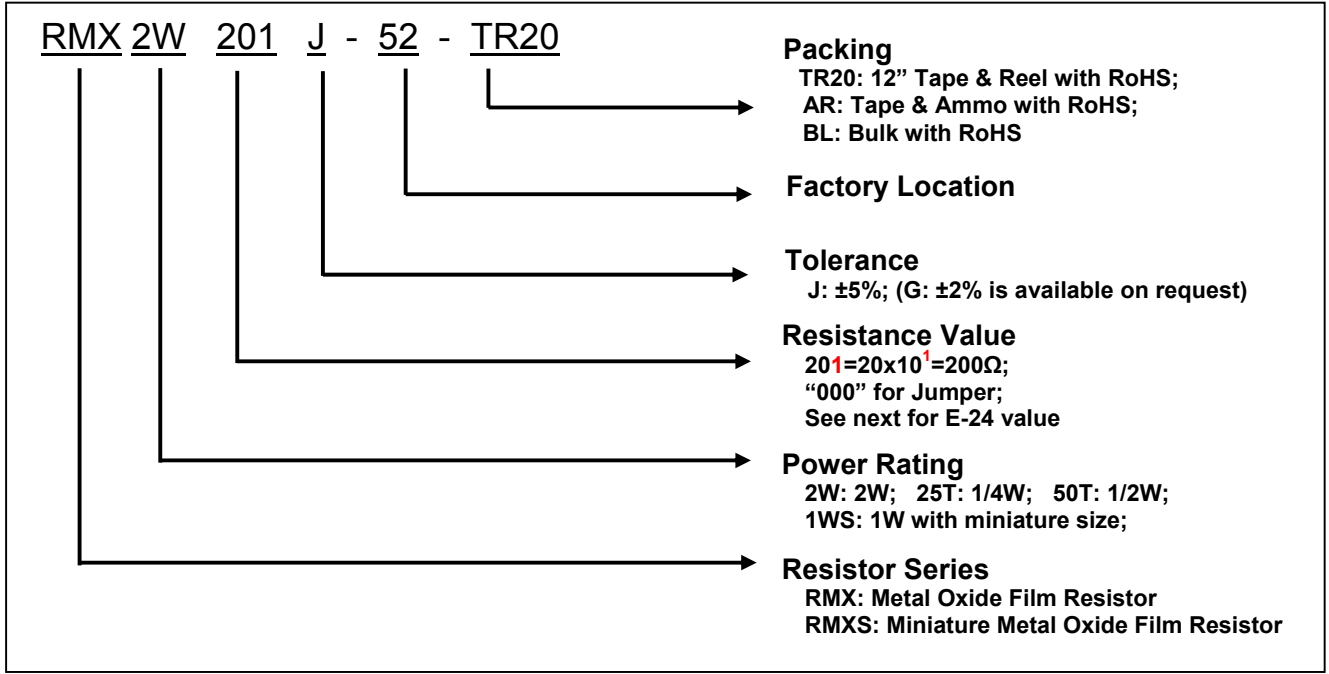
Carton Size Information (in mm)

Size		Tape On Reel	Tape On Box	Bulk
RMX25T	RMXS50T	60x32x43	44x28x36	44x28x36
RMX50T	RMXS1W	60x32x43	44x28x36	44x28x36
RMX1W	RMXS2W	60x32x43	44x28x36	44x28x36
RMX2W	RMXS3W	60x32x43	44x28x36	44x28x36
RMX3W	RMXS5W	60x32x43	44x28x36	44x28x36
RMX5W	--	60x32x43	44x28x36	44x28x36

Metal Oxide Resistor - Normal & Miniature Style

RMX & RMXS Series

How to order:



E-24 Series of Resistance Value Table

xxx (code)	Ω	xxx (code)	Ω	xxx (code)	Ω	xxx (code)	Ω	xxx (code)	Ω	xxx (code)	Ω	xxx (code)	Ω
000	<50m	1R0	1.0	1R1	1.1	1R2	1.2	1R3	1.3	1R5	1.5	1R6	1.6
1R8	1.8	2R0	2.0	2R2	2.2	2R4	2.4	2R7	2.7	3R0	3.0	3R3	3.3
3R6	3.6	3R9	3.9	4R3	4.3	4R7	4.7	5R1	5.1	5R6	5.6	6R2	6.2
6R8	6.8	7R5	7.5	8R2	8.2	9R1	9.1	100	10	110	11	120	12
130	13	150	15	160	16	180	18	200	20	220	22	240	24
270	27	300	30	330	33	360	36	390	39	430	43	470	47
510	51	560	56	620	62	680	68	750	75	820	82	910	91
101	100	111	110	121	120	131	130	151	150	161	160	181	180
201	200	221	220	241	240	271	270	301	300	331	330	361	360
391	390	431	430	471	470	511	510	561	560	621	620	681	680
751	750	821	820	911	910	102	1K	112	1.1K	122	1.2K	132	1.3K
152	1.5K	162	1.6K	182	1.8K	202	2.0K	222	2.2K	242	2.4K	272	2.7K
302	3.0K	332	3.3K	362	3.6K	392	3.9K	432	4.3K	472	4.7K	512	5.1K
562	5.6K	622	6.2K	682	6.8K	752	7.5K	822	8.2K	912	9.1K	103	10K
113	11K	123	12K	133	13K	153	15K	163	16K	183	18K	203	20K
223	22K	243	24K	273	27K	303	30K	333	33K	363	36K	393	39K

Metal Oxide Resistor - Normal & Miniature Style

RMX & RMXS Series

xxx (code)	Ω	xxx (code)	Ω	xxx (code)	Ω	xxx (code)	Ω	xxx (code)	Ω	xxx (code)	Ω	xxx (code)	Ω
433	43K	473	47K	513	51K	563	56K	623	62K	683	68K	753	75K
823	82K	913	91K	104	100K	114	110K	124	120K	134	130K	154	150K
164	160K	184	180K	204	200K	224	220K	244	240K	274	270K	304	300K
334	330K	364	360K	394	390K	434	430K	474	470K	514	510K	564	560K
624	620K	684	680K	754	750K	824	820K	914	910K	105	1.0M		

How to contact us:

US HEADQUARTERS

28040 WEST HARRISON PARKWAY, VALENCIA, CA 91355-4162

Tel: (800) TAITRON (800) 824-8766 (661) 257-6060

Fax: (800) TAITFAX (800) 824-8329 (661) 257-6415

Email: taitron@taitroncomponents.com

Http://www.taitroncomponents.com

TAITRON COMPONENTS MEXICO, S.A .DE C.V.

BOULEVARD CENTRAL 5000 INTERIOR 5 PARQUE INDUSTRIAL ATITALAQUIA, HIDALGO C.P.
42970 MEXICO

Tel: +52-55-5560-1519

Fax: +52-55-5560-2190

TAITRON COMPONENTS INCORPORATED REPRESENTAÇÕES DO BRASIL LTDA

RUA DOMINGOS DE MORAIS, 2777, 2.ANDAR, SALA 24 SAÚDE - SÃO PAULO-SP 04035-001 BRAZIL

Tel: +55-11-5574-7949

Fax: +55-11-5572-0052

TAITRON COMPONENTS INCORPORATED, SHANGHAI REPRESENTATIVE OFFICE

METROBANK PLAZA, 1160 WEST YAN' AN ROAD, SUITE 1503, SHANGHAI, 200052, CHINA

Tel: +86-21-5424-9942

Fax: +86-21-5424-9931