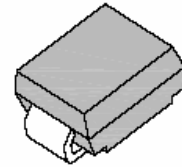


2.0A Sintered Glass Passivated Fast Recovery Rectifier

Features

- Fast switching for high efficiency
- Ideal for surface mount automated applications
- High temperature soldering guaranteed: 260°C/10 seconds, at terminals
- Plastic package has UL Flammability Classification 94V-0
- RoHS Compliance

SMB



Mechanical Data

Case:	JEDEC DO-214AA (SMB) molded plastic over passivated chip
Terminals:	Tin plated, solderable per MIL-STD-750, Method 2026
Polarity:	Color band denotes cathode end
Mounting Position:	Any
Weight:	0.003 ounces, 0.093 gram

Maximum Ratings and Electrical Characteristics ($T_A=25^\circ\text{C}$ unless otherwise noted)

Symbol	Description	RGF 2A	RGF 2B	RGF 2D	RGF 2G	RGF 2J	RGF 2JA	RGF 2K	RGF 2KA	RGF 2M	RGF 2MA	Unit	Conditions
VRRM	Max. Repetitive Peak Reverse Voltage	50	100	200	400	600	600	800	800	1000	1000	V	
VRMS	Max. RMS Voltage	35	70	140	280	420	420	560	560	700	700	V	
VDC	Max. DC Blocking Voltage	50	100	200	400	600	600	800	800	1000	1000	V	
VF	Max. Forward Voltage	1.3										V	IF(AV)=2.0A
IF(AV)	Max. Average Forward Rectified Current	2.0										A	TL=100°C
IR(AV)	Max. Full Load Reverse Current	100										µA	TA=55°C
IFSM	Peak Forward Surge Current	65										A	Note 1
IR	Reverse Current @ VR = VRRM	5										µA	TA=25°C
		30											TA=125°C
		100											TA=150°C
Trr	Max. Reverse Recovery Time	150				250	150	500	300	500	300	nS	IF=0.5A, IR=1.0A, Irr=0.25A.

2.0A Sintered Glass Passivated Fast Recovery Rectifier

RGF2A - RGF2MA

Symbol	Description	RGF 2A	RGF 2B	RGF 2D	RGF 2G	RGF 2J	RGF 2JA	RGF 2K	RGF 2KA	RGF 2M	RGF 2MA	Unit	Conditions
RthJA	Typical Thermal Resistance	55										°C / W	Note 2
RthJL		18											
CJ	Typical Junction Capacitance	35										pF	VR=4V, f=1MHz
TJ,Tstg	Operating Junction and Storage Temperature Range	-65 to +175										°C	

- Note:**
- 8.3ms single half sine-wave superimposed on rated load (JEDEC Method)
 - Thermal resistance from junction to ambient and from junction to lead P.C.B mounted on 0.2 x 0.2" (5.0 x 5.0mm) copper pad areas.

Typical Characteristics Curves

Fig.1- Forward Current Derating Curve

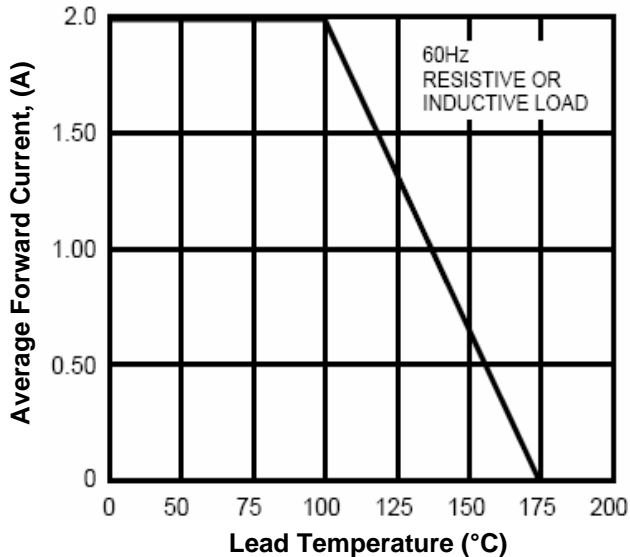
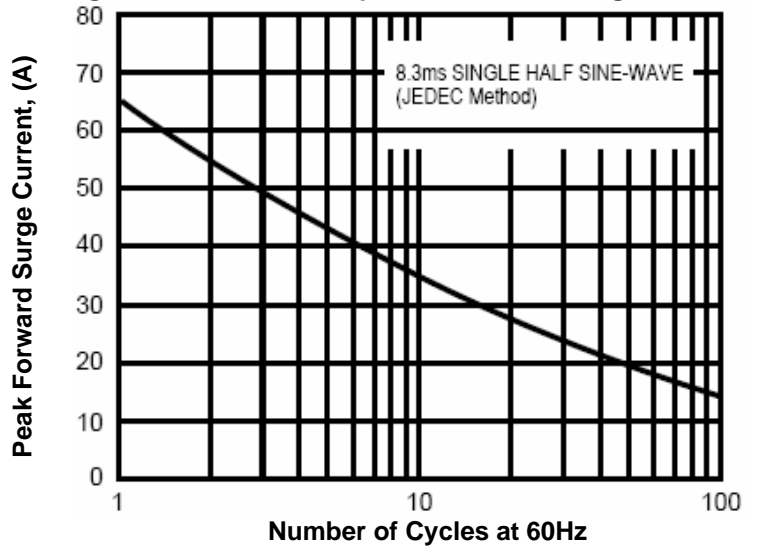


Fig.2- Maximum Non-Repetitive Forward Surge Current



2.0A Sintered Glass Passivated Fast Recovery Rectifier

RGF2A - RGF2MA

Fig.3- Typical Forward Characteristics

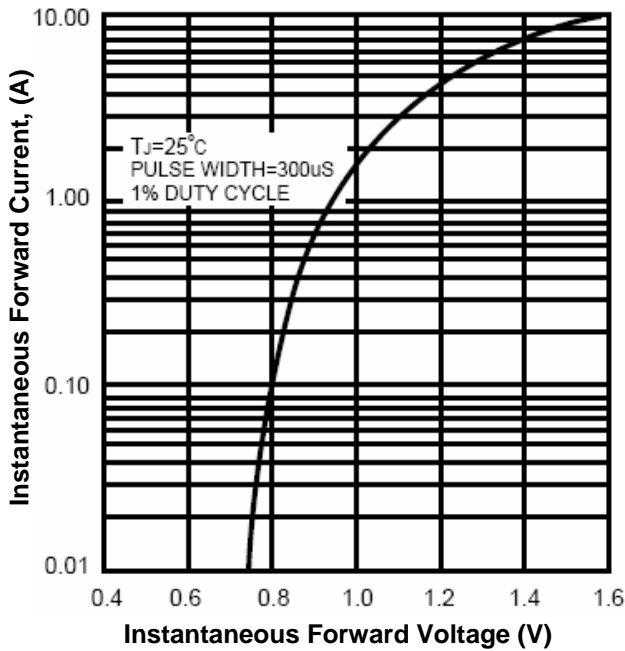


Fig.4-Typical Reverse Characteristics

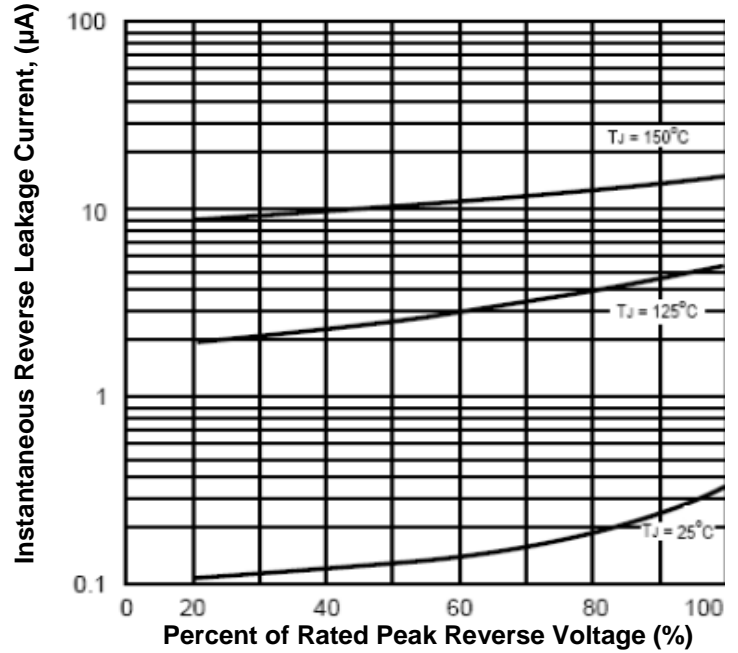


Fig.5-Typical Junction Capacitance

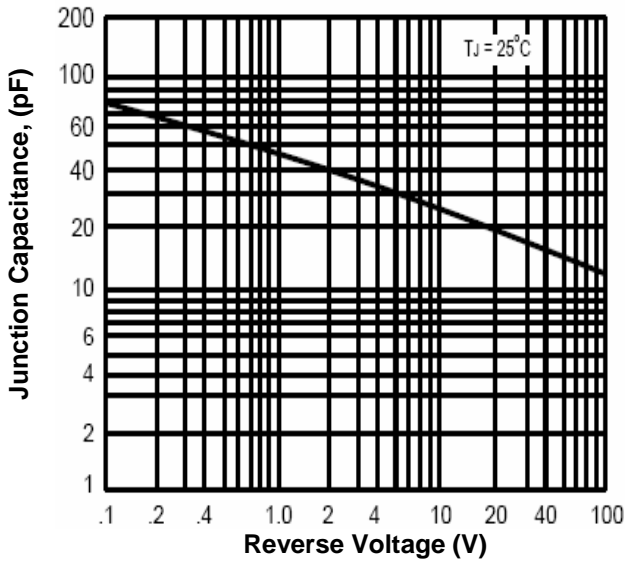
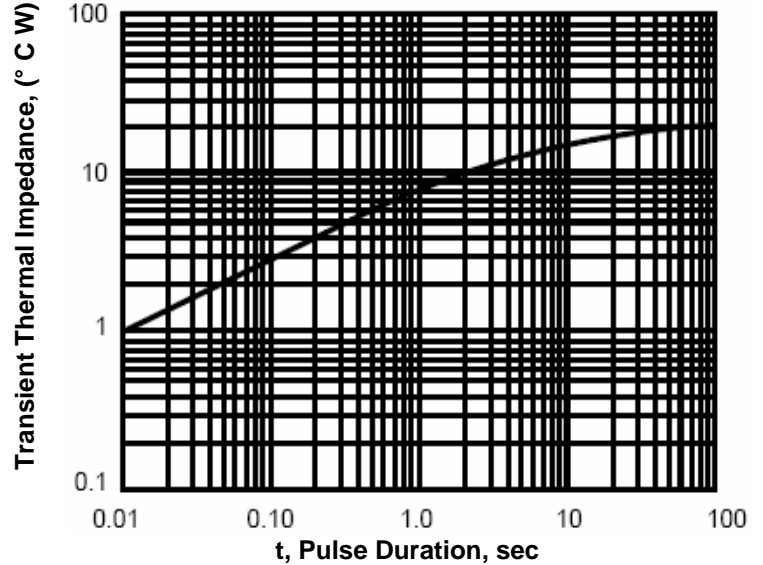


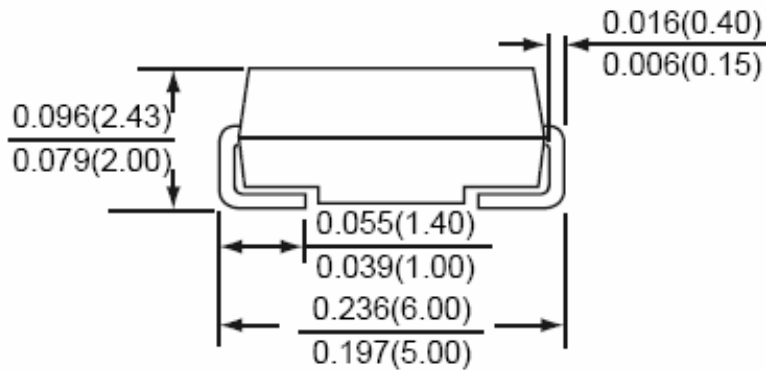
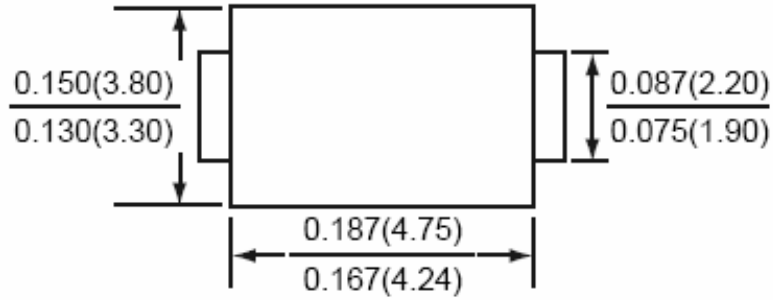
Fig.6-Typical Transient Thermal Impedance



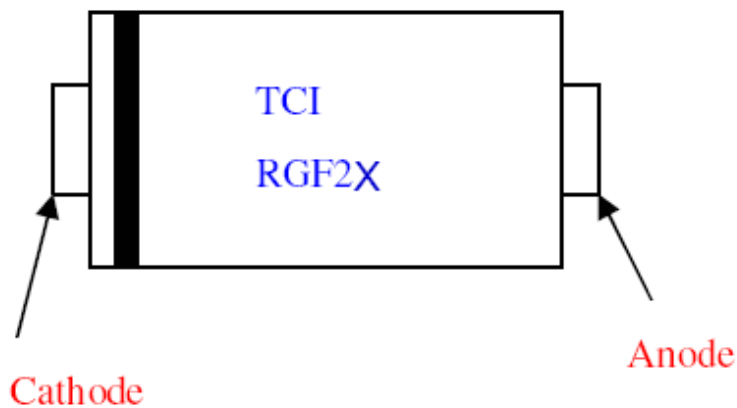
2.0A Sintered Glass Passivated Fast Recovery Rectifier

RGF2A - RGF2MA

Dimensions in inches (mm)



Marking Information:

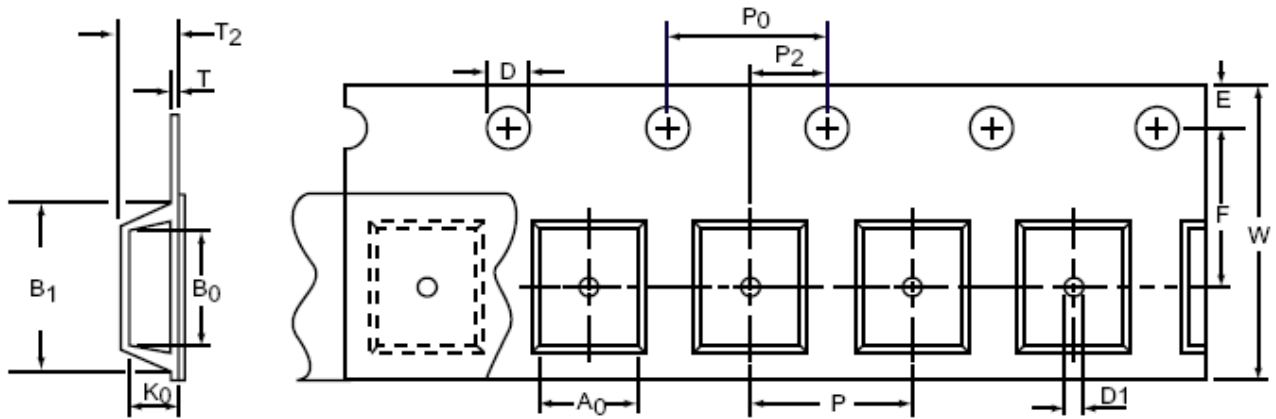


2.0A Sintered Glass Passivated Fast Recovery Rectifier

RGF2A - RGF2MA

Packing Information:

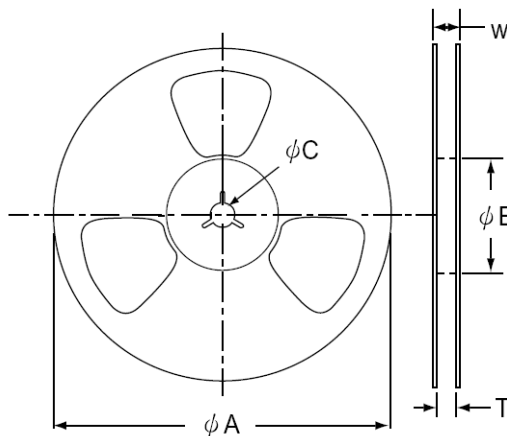
Carrier Tape Dimensions (in mm)



Components Outline	A0	B0	D	E	F	K0	B1
SMB	See note 1	See note 1	1.5 ± 0.1	1.75 ± 0.1	5.50 ± 0.05	See note 1	8.20max.
	P	P0	P2	T max.	W	T2	D1
	8.00 ± 0.10	4.0 ± 0.10	2.0 ± 0.1	0.40	12.00 ± 3.00	2.67 ± 0.10	1.5min.

NOTE : 1. A0 , B0 , and K0 are determined by component size. The clearance between the components and the cavity must be within 0.05 mm (0.002") Min. to 0.50 mm (0.02") Max. for 8 mm tape and 12 mm tape, 0.15 mm (0.066") Min. to 0.90 mm (0.035") Max.

Reel Dimensions (in mm)



A	B	C	w	T
330 ± 2.0 (TR30)	50min.	13.0 ± 0.5	18.7max.	14.4max.
178 ± 2.0 (TR70)				

2.0A Sintered Glass Passivated Fast Recovery Rectifier

RGF2A - RGF2MA

Packing Quantity Information:

Quantity	PCS per Reel	PCS per Inner Box	PCS per Carton
-TR70 Tape & Reel	750	3000	18000
- TR30 Tape & Reel	3200	6400	32000

Carton Size Information:

Cartoon Size (TR70)	Cartoon Size (TR30)
400X207X240(in mm)	360X360X240(in mm)

How to contact us:

US HEADQUARTERS

28040 WEST HARRISON PARKWAY, VALENCIA, CA 91355-4162

Tel: (800) TAITRON (800) 824-8766 (661) 257-6060

Fax: (800) TAITFAX (800) 824-8329 (661) 257-6415

Email: taitron@taitroncomponents.com

Http://www.taitroncomponents.com

TAITRON COMPONENTS MEXICO, S.A .DE C.V.

BOULEVARD CENTRAL 5000 INTERIOR 5 PARQUE INDUSTRIAL ATITALAQUIA, HIDALGO C.P.
42970 MEXICO

Tel: +52-55-5560-1519

Fax: +52-55-5560-2190

TAITRON COMPONENTS INCORPORATED REPRESENTAÇÕES DO BRASIL LTDA

RUA DOMINGOS DE MORAIS, 2777, 2.ANDAR, SALA 24 SAÚDE - SÃO PAULO-SP 04035-001 BRAZIL

Tel: +55-11-5574-7949

Fax: +55-11-5572-0052

TAITRON COMPONENTS INCORPORATED, SHANGHAI REPRESENTATIVE OFFICE

METROBANK PLAZA, 1160 WEST YAN' AN ROAD, SUITE 1503, SHANGHAI, 200052, CHINA

Tel: +86-21-5424-9942

Fax: +86-21-5424-9931