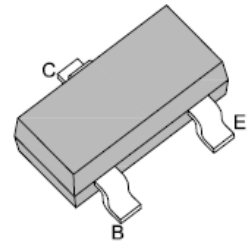


SMD General Purpose Transistor (PNP)

Features

- PNP Silicon Epitaxial Planar Transistor for Switching and Amplifier Applications
- RoHS compliance



SOT-23



Mechanical Data

Case:	SOT-23, Plastic Package
Terminals:	Solderable per MIL-STD-202G, Method 208
Weight:	0.008 gram

Maximum Ratings *(T_{Ambient}=25°C unless noted otherwise)*

Symbol	Description	MMBTA55	MMBTA56	Unit
	Marking Code	2H	2G	
-V_{CBO}	Collector-Base Voltage	60	80	V
-V_{CEO}	Collector-Emitter Voltage	60	80	V
-V_{EBO}	Emitter-Base Voltage	4.0		V
-I_C	Collector Current	500		mA
P_{tot}	Power Dissipation above 25°C	250		mW
R_{θJA}	Thermal Resistance from Junction to Ambient	560		°C /W
T_J	Junction Temperature	150		°C
T_{STG}	Storage Temperature Range	-55 to +150		°C

SMD General Purpose Transistor (PNP)

MMBTA55/MMBTA56

Electrical Characteristics ($T_{Ambient}=25^{\circ}C$ unless noted otherwise)

Symbol	Description	MMBTA55		MMBTA56		Unit	Conditions
		Min.	Max.	Min.	Max.		
h_{FE}	D.C. Current Gain	100	-	100	-		-V _{CE} =1V, -I _C =10mA
		100	-	100	-		-V _{CE} =1V, -I _C =100mA
-V_{(BR)CEO}	Collector-Emitter Breakdown Voltage	60	-	80	-	V	-I _C =1mA, I _B =0
-V_{(BR)EBO}	Emitter-Base Breakdown Voltage	4.0	-	4.0	-	V	I _E =100μA, -I _C =0
-V_{CE(sat)}	Collector-Emitter Saturation Voltage	-	0.25	-	0.25	V	-I _C =100mA, -I _B =10mA
-V_{BE(on)}	Base-Emitter On Voltage	-	1.2	-	1.2	V	-I _C =100mA, -V _{CE} =1.0V
-I_{CEO}	Collector-Emitter Cut-off Current	-	0.1	-	0.1	μA	-V _{CE} =60V, I _B =0
-I_{CBO}	Collector-Base Cut-off Current	-	0.1	-	0.1	μA	
		-V _{CB} =60V, I _E =0		-V _{CB} =80V, I _E =0			
f_T	Current Gain-Bandwidth Product	50	-	50	-	MHz	-V _{CE} =1V, -I _C =100mA, f=100MHz

SMD General Purpose Transistor (PNP)

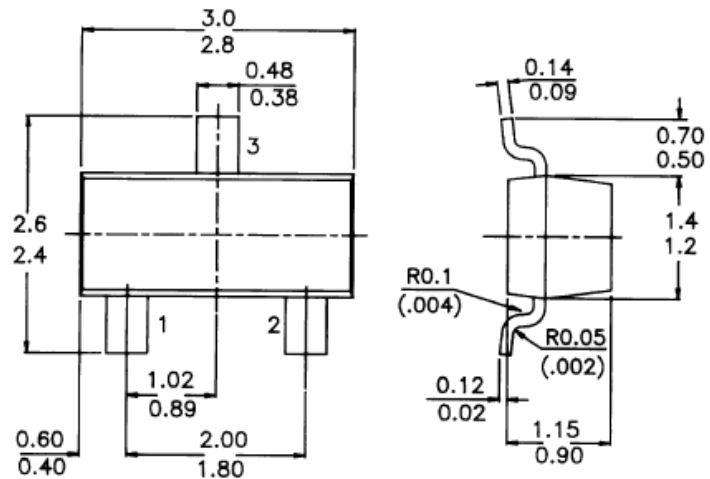
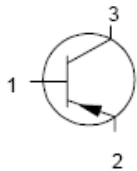
MMBTA55/MMBTA56

Dimensions in mm

SOT-23

Pin configuration

- 1 = BASE
- 2 = EMITTER
- 3 = COLLECTOR



How to contact us:

US HEADQUARTERS

28040 WEST HARRISON PARKWAY, VALENCIA, CA 91355-4162

Tel: (800) TAITRON (800) 824-8766 (661) 257-6060

Fax: (800) TAITFAX (800) 824-8329 (661) 257-6415

Email: taitron@taitroncomponents.com

Http://www.taitroncomponents.com

TAITRON COMPONENTS MEXICO, S.A .DE C.V.

BOULEVARD CENTRAL 5000 INTERIOR 5 PARQUE INDUSTRIAL ATITALAQUIA, HIDALGO C.P.
42970 MEXICO

Tel: +52-55-5560-1519

Fax: +52-55-5560-2190

TAITRON COMPONENTS INCORPORATED REPRESENTAÇÕES DO BRASIL LTDA

RUA DOMINGOS DE MORAIS, 2777, 2.ANDAR, SALA 24 SAÚDE - SÃO PAULO-SP 04035-001 BRAZIL

Tel: +55-11-5574-7949

Fax: +55-11-5572-0052

TAITRON COMPONENTS INCORPORATED, SHANGHAI REPRESENTATIVE OFFICE

METROBANK PLAZA, 1160 WEST YAN' AN ROAD, SUITE 1503, SHANGHAI, 200052, CHINA

Tel: +86-21-5424-9942

Fax: +86-21-5424-9931