



LBS35002L SAW Filter Technical Specification

S P
LBS 35002L

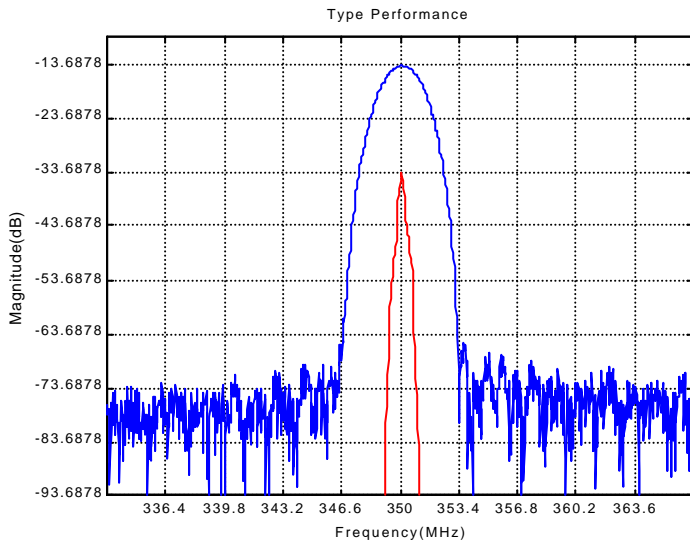
Absolute Maximum Rating

Rating	Value
CW RF power Dissipation	+10dBm
DC Voltage between any 2 pins	±30VDC
Operating Temperature	-10 to +50°C

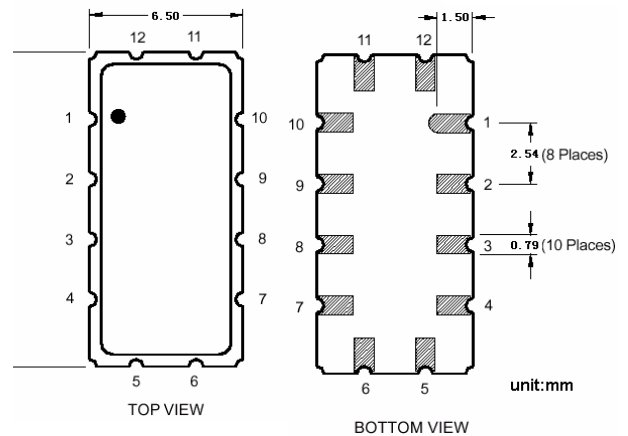
Electrical Characteristic

Characteristic	Unit	Minimum	Typical	Maximum
Center Frequency (f_0)	MHz	349.8	350	350.2
1dB Bandwidth	MHz	1.0	1.21	
40dB Bandwidth	MHz		6.25	6.7
Insertion Loss	dB		13.68	15
Amplitude Ripple	dB		0.15	0.5
Phase Linearity	degrees		4	6
Group Delay Variation	nsec		60	100
Ultimate Rejection	dB	50	55	
Ambient Temperature	°C		25	
Package	SMP-53			
Substrate Material	Quartz			

Frequency response



Package



Electrical Connections

Connection		Terminals
Port 1	Input or Return	11
	Return or Input	12
Port 2	Output or Return	5
	Return or Output	6
Ground		All others
Single Ended Operation		Return is ground
Differential Operation		Return is hot

