

SURFACE MOUNT
FAST RECOVERY SILICON RECTIFIER
VOLTAGE RANGE 50 to 1000 Volts CURRENT 1.0 Ampere

FEATURES

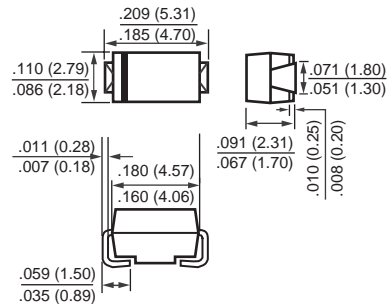
- * Ideal for surface mounted applications
- * Low leakage current
- * Metallurgically bonded construction
- * Mounting position: Any
- * Weight: 0.057 gram

MECHANICAL DATA

- * Epoxy : Device has UL flammability classification 94V-0



SMX



Dimensions in inches and (millimeters)

MAXIMUM RATINGS AND ELECTRICAL CHARACTERISTICS

Ratings at 25 °C ambient temperature unless otherwise specified.
 Single phase, half wave, 60 Hz, resistive or inductive load.
 For capacitive load, derate current by 20%.

MAXIMUM RATINGS (At TA = 25°C unless otherwise noted)

RATINGS	SYMBOL	FFM101W	FFM102W	FFM103W	FFM104W	FFM105W	FFM106W	FFM107W	UNITS
Maximum Recurrent Peak Reverse Voltage	VRRM	50	100	200	400	600	800	1000	Volts
Maximum RMS Voltage	VRMS	35	70	140	280	420	560	700	Volts
Maximum DC Blocking Voltage	Vdc	50	100	200	400	600	800	1000	Volts
Maximum Average Forward Rectified Current at TA = 55°C	Io	1.0							Amps
Peak Forward Surge Current 8.3 ms single half sine-wave superimposed on rated load (JEDEC method)	IFSM					30			Amps
Maximum Thermal Resistance	(Note 2) RθJL					30			°C/W
	(Note 3) RθJA					70			°C/W
Typical Junction Capacitance (Note 1)	CJ					15			pF
Operating and Storage Temperature Range	TJ, TSTG					-55 to + 150			°C

ELECTRICAL CHARACTERISTICS (At TA = 25°C unless otherwise noted)

CHARACTERISTICS	SYMBOL	FFM101W	FFM102W	FFM103W	FFM104W	FFM105W	FFM106W	FFM107W	UNITS
Maximum Forward Voltage at 1.0A DC	VF					1.3			Volts
Maximum Full Load Reverse Current, Full cycle Average at TA=25°C	IR					50			uAmps
Maximum DC Reverse Current at @TA = 25°C						5.0			uAmps
Rated DC Blocking Voltage @TA = 125°C						100			uAmps
Maximum Reverse Recovery Time (Note 4)	trr				150	250	500		nSec

- NOTES : 1. Measured at 1.0 MHz and applied average voltage of 4.0VDC
 2. Thermal resistance junction to terminal 6.0mm² copper pads to each terminal.
 3. Thermal resistance junction to ambient, 6.0mm² copper pads to each terminal.
 4. Test Conditions: IF = 0.5A, IR = -1.0A, IRR = -0.25A
 5."Fully ROHS compliant", "100% Sn plating(Pb-free)".

RATING AND CHARACTERISTIC CURVES (FFM101W THRU FFM107W)

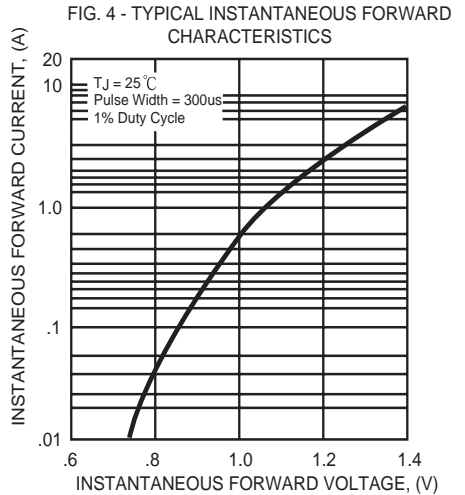
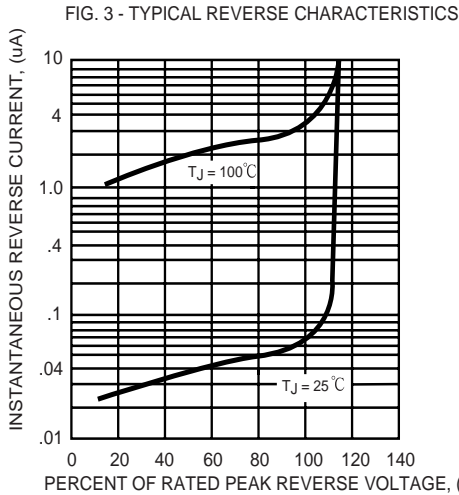
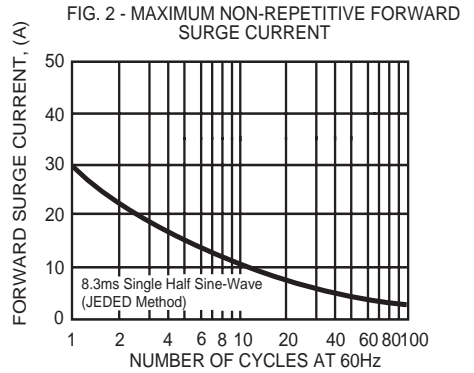
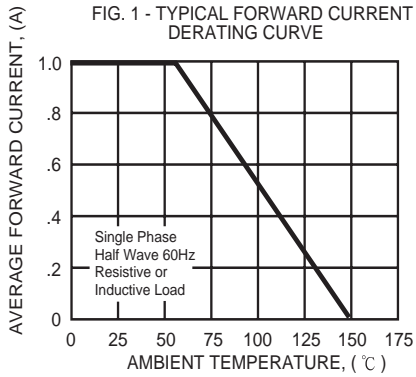
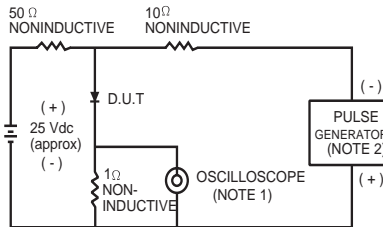
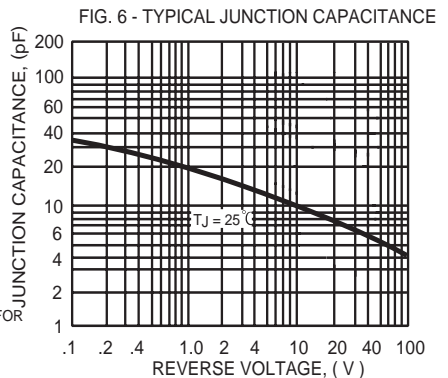
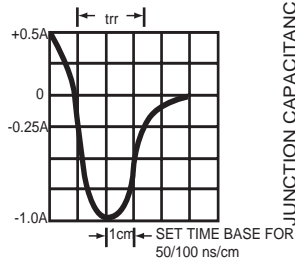


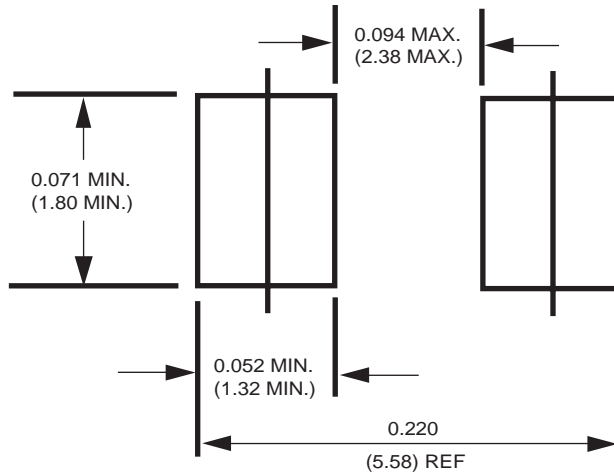
FIG. 5 - TEST CIRCUIT DIAGRAM AND REVERSE RECOVERY TIME CHARACTERISTIC



- NOTES: 1. Rise Time = 7ns max. Input Impedance = 1 megohm. 22 pF.
2. Rise Time = 10ns max. Source Impedance = 50 ohms.



Mounting Pad Layout



Dimensions in inches and (millimeters)