

DESCRIPTION

The EVAL-ADXL330Z is a simple evaluation board that allows quick evaluation of the performance of the ADXL330 dual-axis accelerometer. The EVAL-ADXL330Z has a 5-pin, 0.1 inch spaced header for access to all power and signal lines that the user can attach to a prototyping board (breadboard) or wire using a standard plug. Four holes are provided for mechanical attachment of the EVAL-ADXL330Z to the application.

The EVAL-ADXL330Z is 20 mm × 20 mm with mounting holes set 15 mm × 15 mm at the corners of the PCB.

CIRCUIT DESCRIPTION

The schematic of the EVAL-ADXL330Z is shown in Figure 1. Analog bandwidth can be set by changing Capacitors C2, C3, and C4. See the ADXL330 data sheet for a complete description of the operation of the accelerometer.

The part layout of the EVAL-ADXL330Z is shown in Figure 2. The EVAL-ADXL330Z has three factory installed 100 nF capacitors (C2, C3, and C4) at X_{OUT}, Y_{OUT}, and Z_{OUT} to reduce the bandwidth to 50 Hz. Many applications require a different bandwidth, in which case, the user can change C2, C3, and C4 as appropriate.

SPECIAL NOTES ON HANDLING

The EVAL-ADXL330Z is not reverse polarity protected. Reversing the +V supply and ground pins can cause damage to the ADXL330.

Dropping the EVAL-ADXL330Z on a hard surface can generate several thousand g of acceleration and might exceed the data sheet absolute maximum limits. See the ADXL330 data sheet for more information.

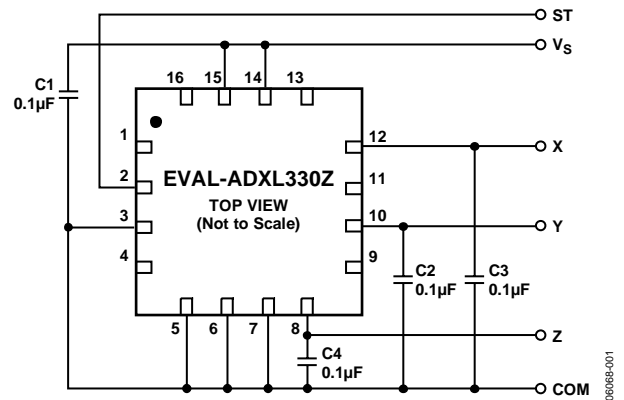


Figure 1. EVAL-ADXL330Z Schematic

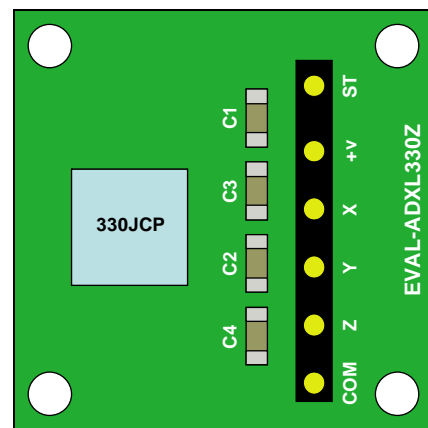


Figure 2. EVAL-ADXL330Z Physical Layout

ORDERING GUIDE

Model	Package Description
EVAL-ADXL330Z ¹	Evaluation Board

¹ Z = Pb-free part.

Rev. 0

Information furnished by Analog Devices is believed to be accurate and reliable. However, no responsibility is assumed by Analog Devices for its use, nor for any infringements of patents or other rights of third parties that may result from its use. Specifications subject to change without notice. No license is granted by implication or otherwise under any patent or patent rights of Analog Devices. Trademarks and registered trademarks are the property of their respective owners.

EVAL-ADXL330Z

NOTES