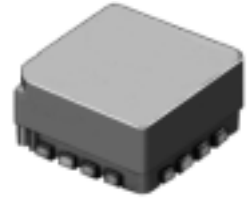


Type: CBM74

◆ **Product Description**

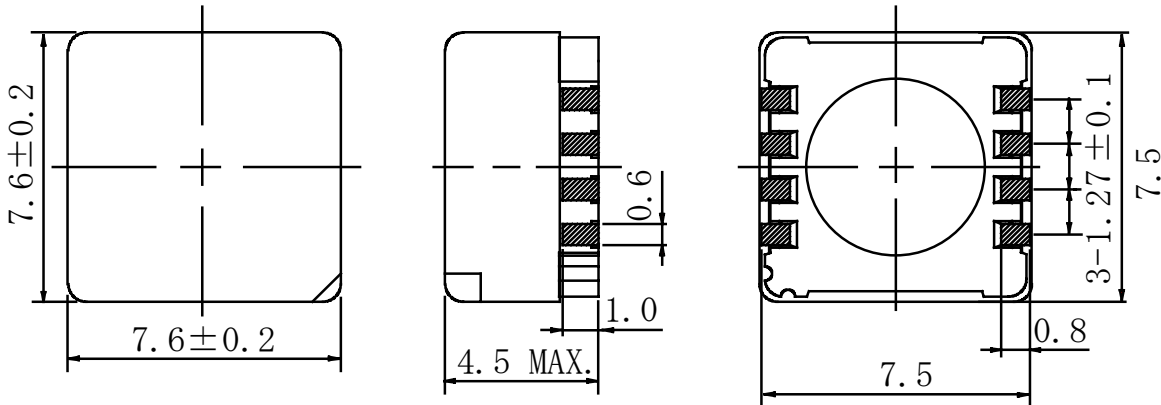
- 7.8×7.8mm Max.(L×W), 4.5mm Max. Height.
- In addition to the typical versions of parameters shown here, custom parameters are available to meet your exact requirements.



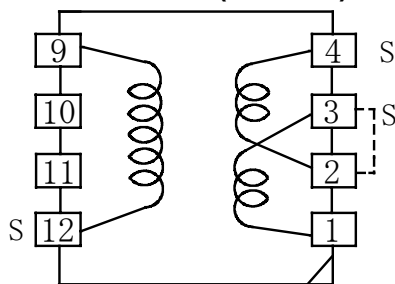
◆ **Feature**

- Less leakage magnetic flux because of use of toroidal core.
- Operating frequency: 1MHz Max., Operating power: 700mW(500kHz)
- Ideally used as isolation transformer, used in Notebook PC.
- RoHS Compliance

◆ **Dimensions (mm)**



◆ **Schematics (Bottom)**



"S" indicates winding start.

◆ **Specification**

Sample No.	Inductance (9-12) (1kHz/0.1V)	D.C.R. (9-12)	Hi-pot (1,2,3,4-9,12)
5254-T026	$160 \mu H \pm 3.5\%$ within	$230 m \Omega$ Max.	DC 500V/1 min.