

Features

General

- Based on the ARM® SC100™ SecurCore™ 32-bit RISC Processor
- Two Instructions Sets
 - ARM High-performance 32-bit Instruction Set
 - Thumb® High-code-density 16-bit Instruction Set
- Von Neumann Load/Store Architecture
 - Single 32-bit Data Bus for Instructions and Data
- 3-stage Pipeline Architecture
 - Fetch, Decode and Execute Stages
- 8-bit, 16-bit and 32-bit Data Types
- On-chip Programmable System Clock up to 50 MHz
- Very Low Power Consumption
 - Industry Leader in MIPS/Watt
 - Low-power Idle and Power-down Modes
- Bond Pad Locations Conforming to ISO 7816-2
- ESD Protection to $\pm 6000V$
- Operating Ranges: 1.62V to 5.5V, GSM/3G Compliant, PC Industry Compatible, EMV

Memory

- 8M Bytes of external Flash memory
 - Typically 100,000 Write/Erase Cycles
- 512K Bytes of ROM Program Memory
- 384K Bytes of EEPROM, Including 256 OTP Bytes
 - Typically More than 500,000 Write/Erase Cycles at a Temperature of 25°C
 - 10 Years Data Retention
- EEPROM Erase Only Mode
- Write EEPROM With or Without Autoerase
- 24K Bytes of RAM (2K Bytes shared with AdvX crypto accelerator)
- 32K Bytes of ROM dedicated to ATMEL's crypto-library

Peripherals

- ISO 7816 Controller
 - Up to 625 kbps at 5 MHz
- Serial Peripheral Interface (SPI) Controller (up to 20MHz)
- USB Interface (5 Endpoints)
 - USB V2.0 Full-speed (12Mbps), Suspend/Resume Modes Supported
 - 4 Configurable Endpoints in Addition to Endpoint EP0
 - Dynamic Pull-up Attachment
- USB_IC (Inter Chip) 0.8e Interface
- Interface for External NAND Flash Memory
- Single Wire Interface (Digital Interface to RF front-end chip)
- Two 16-bit Timers
- Random Number Generator (RNG)
- 2-level, 15-vector Interrupt Controller
- Checksum Accelerator
- CRC 16 / 32 Engine
- Hardware DES and Triple DES
- 32-bit Cryptographic Accelerator for Public Key Operations
- Advanced MPU
- High-performance Hardware Java Card Accelerator

Security

- Dedicated Hardware for Protection Against SPA/DPA Attacks
- Advanced Protection Against Physical Attack
- Environmental Protection Systems
- Voltage, Frequency, Light and Temperature Protection Systems

Development Tools

- Hardware Development Support on the ATV4-91SC Voyager Emulation Platform
- Software Libraries and Application Notes



32-bit Secure Microcontrollers

AT91SC512384-8M

Summary

6552A-SPD-03May07



Note: This is a summary and draft document. For more information, please contact your local Atmel sales office.

Description

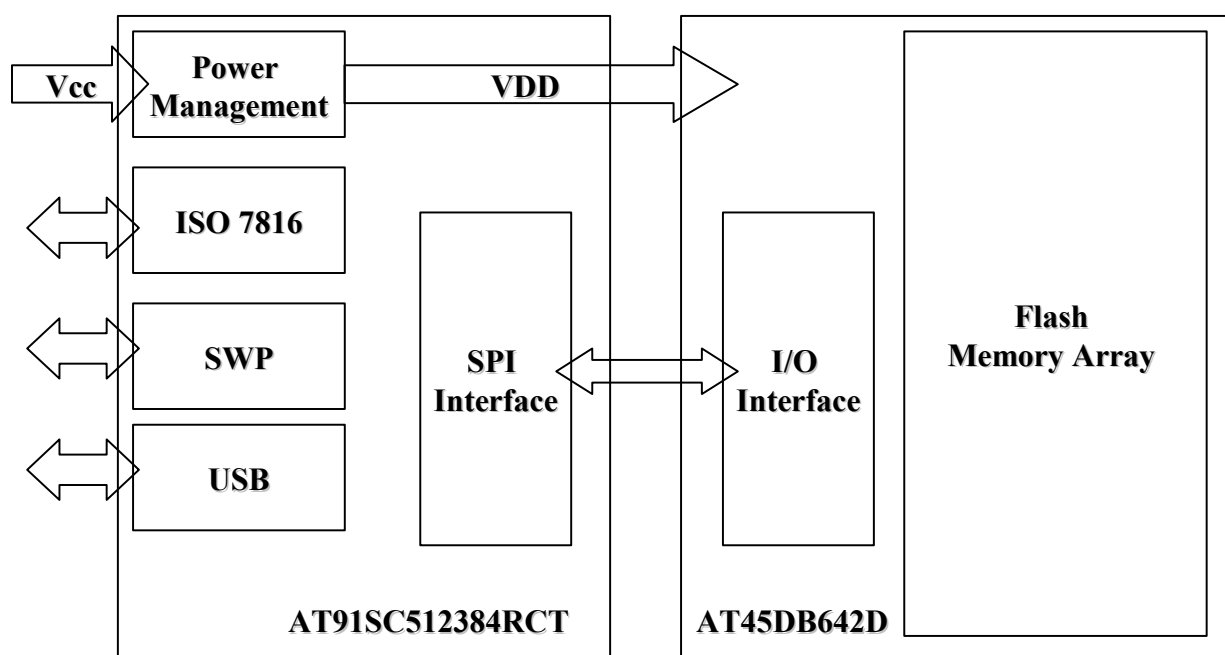
The AT91SC512384-8M is a dual chip solution, binding the AT91SC512384RCT device to the AT45DB642D Data Flash memory.

The AT91SC512384RCT is a Secure Microcontroller, low-power, high-performance, 32-bit RISC microcontroller with ROM program memory, internal EEPROM data memory, and cryptographic accelerator, based on the ARM SC100 advanced secure processor. This general-purpose 32-bit processor offers high performance, very low power consumption, and additional features to help combat fraud.

The AT45DB642D is a Flexible, Low-Cost Serial Flash solution. It features 8M Bytes of Flash memory and 2 x 1056 Bytes SRAM buffers.

The AT91SC512384-8M is delivered in an ISO7816-2 micro module package with necessary drivers to manage all its peripherals.

Figure 1. AT91SC512384-8M Architecture



Architectural Overview

The AT91SC512384RCT secure microprocessor is attached to the AT45DB642D device thru an interface providing:

- Power supply to the Flash memory, whatever external Vcc delivered
- Serial Peripheral Interface Bus for data transfer between the two devices and control on Flash memory

SPI features are Industry standard bus, Full Duplex communication and reduced physical connections. SPI master is the AT91SC512384RCT device and slave is the AT45DB642D device.



Atmel Corporation

2325 Orchard Parkway
San Jose, CA 95131
TEL 1(408) 441-0311
FAX 1(408) 487-2600

Regional Headquarters

Europe

Atmel Sarl
Route des Arsenaux 41
Case Postale 80
CH-1705 Fribourg
Switzerland
TEL (41) 26-426-5555
FAX (41) 26-426-5500

Asia

Room 1219
Chinachem Golden Plaza
77 Mody Road Tsimhatsui
East Kowloon
Hong Kong
TEL (852) 2721-9778
FAX (852) 2722-1369

Japan

9F, Tonetsu Shinkawa Bldg.
1-24-8 Shinkawa
Chuo-ku, Tokyo 104-0033
Japan
TEL (81) 3-3523-3551
FAX (81) 3-3523-7581

Atmel Operations

Memory

2325 Orchard Parkway
San Jose, CA 95131
TEL 1(408) 441-0311
FAX 1(408) 436-4314

Microcontrollers

2325 Orchard Parkway
San Jose, CA 95131
TEL 1(408) 441-0311
FAX 1(408) 436-4314

La Chantrerie
BP 70602
44306 Nantes Cedex 3, France
TEL (33) 2-40-18-18-18
FAX (33) 2-40-18-19-60

ASIC/ASSP/Secure Products

Zone Industrielle
13106 Rousset Cedex, France
TEL (33) 4-42-53-60-00
FAX (33) 4-42-53-60-01

1150 East Cheyenne Mtn. Blvd.
Colorado Springs, CO 80906
TEL 1(719) 576-3300
FAX 1(719) 540-1759

Scottish Enterprise Technology Park
Maxwell Building
East Kilbride G75 0QR, Scotland
TEL (44) 1355-803-000
FAX (44) 1355-242-743

RF/Automotive

Theresienstrasse 2
Postfach 3535
74025 Heilbronn, Germany
TEL (49) 71-31-67-0
FAX (49) 71-31-67-2340

1150 East Cheyenne Mtn. Blvd.
Colorado Springs, CO 80906
TEL 1(719) 576-3300
FAX 1(719) 540-1759

Biometrics/Imaging/Hi-Rel MPU/

High Speed Converters/RF

Datacom

Avenue de Rochepleine
BP 123
38521 Saint-Egreve Cedex, France
TEL (33) 4-76-58-30-00
FAX (33) 4-76-58-34-80

Literature Requests

www.atmel.com/literature

Disclaimer: The information in this document is provided in connection with Atmel products. No license, express or implied, by estoppel or otherwise, to any intellectual property right is granted by this document or in connection with the sale of Atmel products. **EXCEPT AS SET FORTH IN ATMEL'S TERMS AND CONDITIONS OF SALE LOCATED ON ATMEL'S WEB SITE, ATMEL ASSUMES NO LIABILITY WHATSOEVER AND DISCLAIMS ANY EXPRESS, IMPLIED OR STATUTORY WARRANTY RELATING TO ITS PRODUCTS INCLUDING, BUT NOT LIMITED TO, THE IMPLIED WARRANTY OF MERCHANTABILITY, FITNESS FOR A PARTICULAR PURPOSE, OR NON-INFRINGEMENT. IN NO EVENT SHALL ATMEL BE LIABLE FOR ANY DIRECT, INDIRECT, CONSEQUENTIAL, PUNITIVE, SPECIAL OR INCIDENTAL DAMAGES (INCLUDING, WITHOUT LIMITATION, DAMAGES FOR LOSS OF PROFITS, BUSINESS INTERRUPTION, OR LOSS OF INFORMATION) ARISING OUT OF THE USE OR INABILITY TO USE THIS DOCUMENT, EVEN IF ATMEL HAS BEEN ADVISED OF THE POSSIBILITY OF SUCH DAMAGES.** Atmel makes no representations or warranties with respect to the accuracy or completeness of the contents of this document and reserves the right to make changes to specifications and product descriptions at any time without notice. Atmel does not make any commitment to update the information contained herein. Atmel's products are not intended, authorized, or warranted for use as components in applications intended to support or sustain life.

© Atmel Corporation 2007. **All rights reserved.** Atmel®, logo and combinations thereof, Everywhere You Are® and others, are registered trademarks or trademarks of Atmel Corporation or its subsidiaries. Other terms and product names may be trademarks of others.