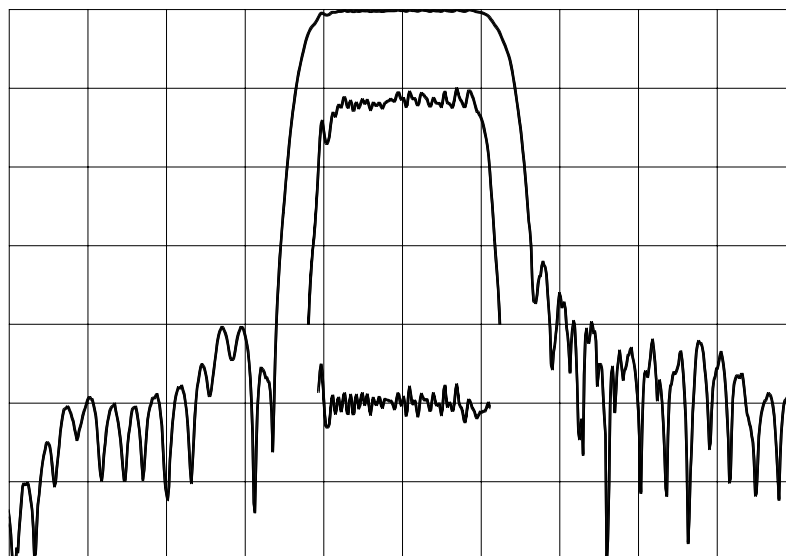




DESCRIPTION

280 MHz SAW bandpass filter in a 5x5 mm SMD package with > 17 MHz usable bandwidth for broadband access applications.

TYPICAL PERFORMANCE



Horizontal: 10 MHz/div Vertical (from top): Magnitude 10,1 dB/div
Group Delay Variation 50 ns/div

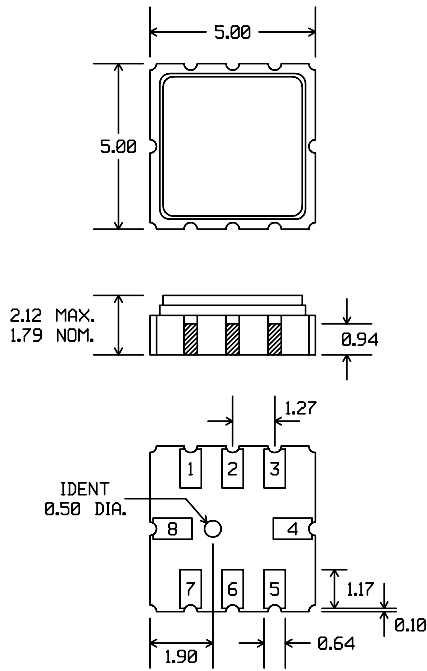
SPECIFICATION

| Parameter | Min | Typ | Max | Units |
|---|-------|-------|-------|--------|
| Measured Center Frequency (Fc) | 279.5 | 280.0 | 280.5 | MHz |
| Insertion Loss | - | 8.6 | 10 | dB |
| Amplitude Ripple ¹ | - | 0.4 | 1 | dB p-p |
| Group Delay Variation ¹ | - | 25 | 50 | ns p-p |
| 3 dB Bandwidth | 20 | 24.3 | - | MHz |
| 10 dB Bandwidth | - | 27.9 | 30 | MHz |
| 15 dB Bandwidth | - | 29.2 | 34 | MHz |
| 40 dB Bandwidth | - | - | 200 | MHz |
| Rejection | | | | |
| 30 to Fc-100 MHz | 40 | 54 | - | dB |
| Fc-100 to Fc-17 MHz | 15 | 38 | - | dB |
| Fc-17 to Fc-15 MHz | 10 | 23 | - | dB |
| Fc+15 to Fc+17 MHz | 10 | 15 | - | dB |
| Fc+17 to Fc+100 MHz | 15 | 31 | - | dB |
| Fc+100 to 500 MHz | 40 | 54 | - | dB |
| Temperature Coefficient of Frequency (Tc) | - | -90 | - | ppm/°C |
| System Source and Load Impedance | - | 50 | - | Ω |
| Ambient Temperature | - | 25 | - | °C |

Notes: 1. Evaluated over 271.5-288.5 MHz.



PACKAGE OUTLINE

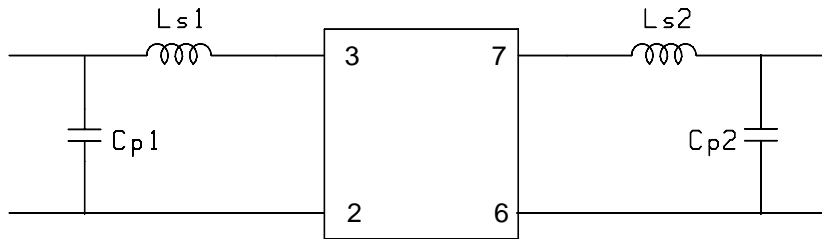


Units: mm

Pin Configuration:

| | |
|----------------|---------|
| Input: | 3 |
| Input Return: | 2 |
| Output: | 7 |
| Output Return: | 6 |
| Ground: | 1,4,5,8 |

MATCHING CIRCUIT



Typical component values:

$L_{s1} = 58 \text{ nH}$
 $C_{p1} = 17 \text{ pF}$

$L_{s2} = 52 \text{ nH}$
 $C_{p2} = 13 \text{ pF}$

Notes

- Optimum component values may change depending on board layout. The values shown here are intended as a guide only.

