



Features

- ◇ For IF SAW filter
- ◇ High attenuation
- ◇ Single-ended operation
- ◇ Dual In-line Package
- ◇ RoHS compliant (2002/95/EC), Pb-free

Specifications

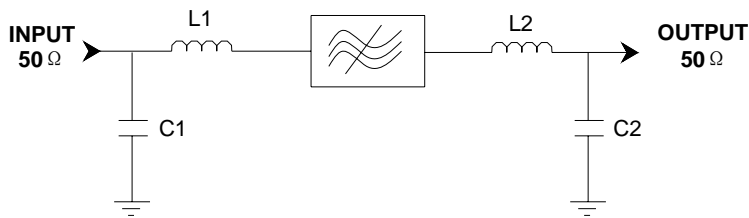
Parameter	Unit	Minimum	Typical	Maximum
Center Frequency	MHz	147.6	147.7	147.8
Insertion Loss	dB	-	22.3	26
1dB Bandwidth	MHz	4	4.03	-
3 dB Bandwidth	MHz	4.2	4.32	-
40 dB Bandwidth	MHz	-	5.34	5.5
Passband Variation	dB	-	0.7	1
Group Delay Variation($f_0 \pm$ MHz)	nsec	-	110	200
Absolute Delay	usec	-	2.86	-
Ultimate Rejection	dB	45	47	-
Material Temperature coefficient	KHz/°C	0.15		
Substrate Material	-	Qz		
Ambient Temperature	°C	25		
Operating Temperature Range	°C	-40	-	+85
Storage Temperature Range	°C	-45	-	+105
DC Voltage	V	0		
Input Power	dBm	-	-	10
ESD Class	-	1A		
Package Size	DIP2712 (27.0x12.8x4.7mm3)			

Notes:

1. All specifications are based on the test circuit shown;
2. In production, all specifications are measured by Agilent Network analyzer and full 2 port calibration at room temperature;
3. Electrical margin has been built into the design to account for the variations due to temperature drift and manufacturing tolerances;
4. This is the optimum impedance in order to achieve the performance show.

	SIPAT Co., Ltd. (CETC No.26 Research Institute) #14 Nanping Huayuan Road, Chongqing, China, 400060	Part Number	LBS14801	
		Rev. Date	2008-01-23	
		Ver.	1.0	Page 1/3

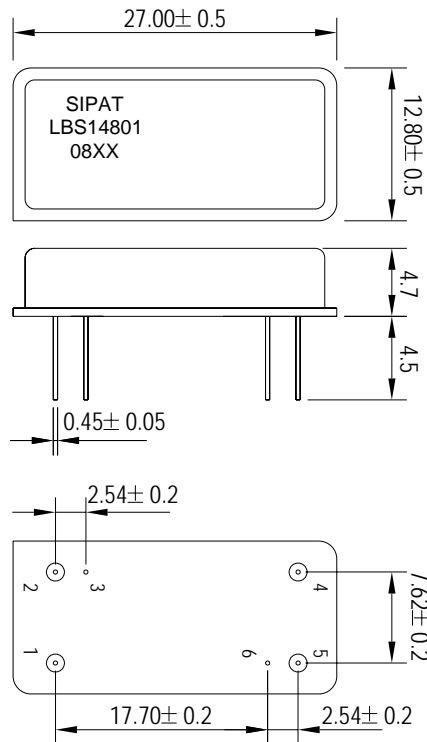
Matching Configuration



L1=100nH L2=68nH
C1=33pF C2=(55+22)pF
Source/Load Impedance=50 ohm

Notes - Component values may change depending
on board layout.

Package Dimension



Pad Configuration:

Input 1
Output 5
Ground All Others

Marking Configuration:

1) SIPAT: Manufacturer Name
2) LBS14801: Part Number
3) 08XX: Date Code

Package: DIP2712

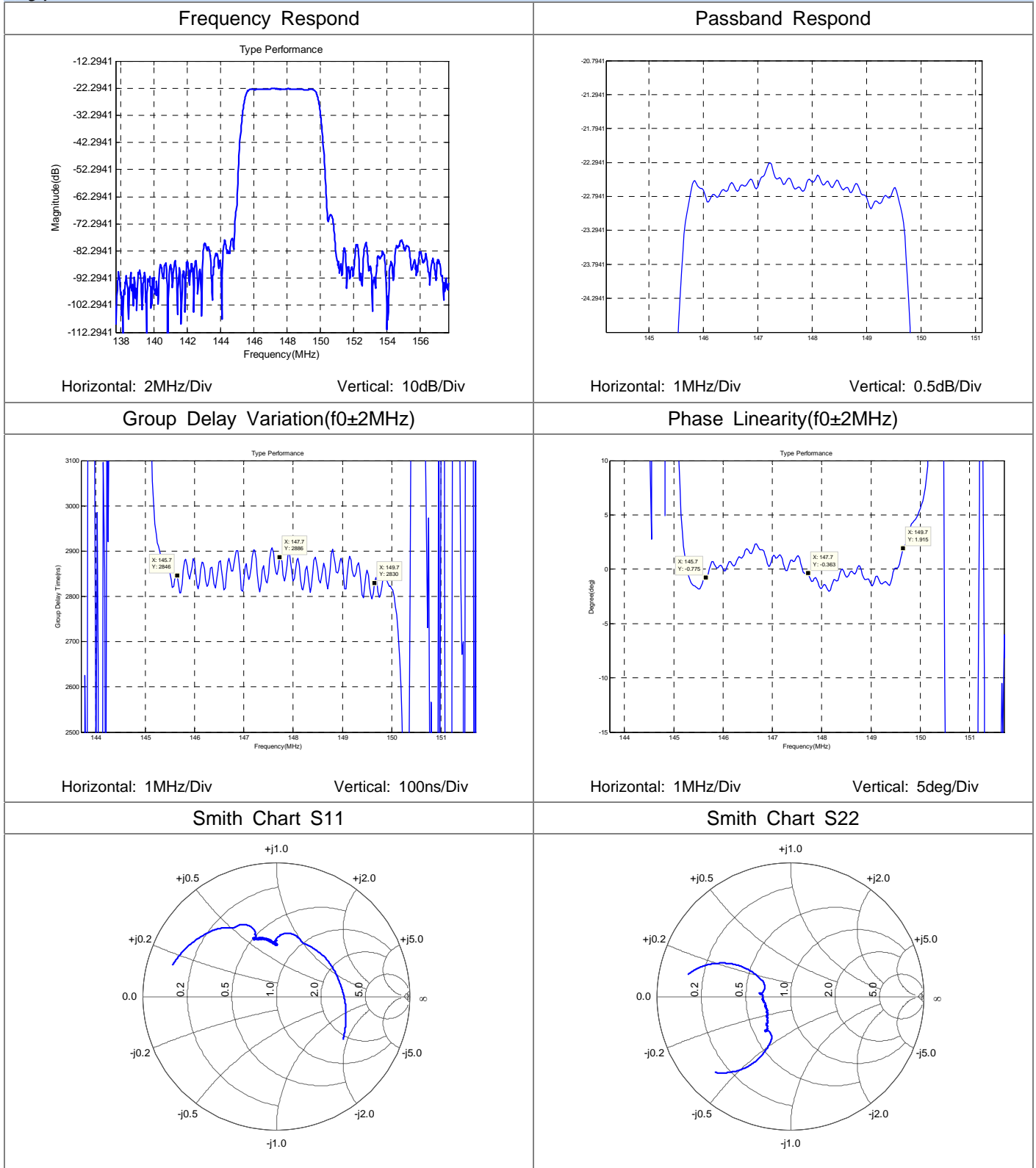
Unit: mm



SIPAT Co., Ltd.
(CETC No.26 Research Institute)
#14 Nanping Huayuan Road,
Chongqing, China, 400060

Part Number	LBS14801	
Rev. Date	2008-01-23	
Ver.	1.0	Page 2/3

Typical Performance



SIPAT Co., Ltd.
(CETC No.26 Research Institute)
#14 Nanping Huayuan Road,
Chongqing, China, 400060

Part Number	LBS14801	
Rev. Date	2008-01-23	
Ver.	1.0	Page 3/3