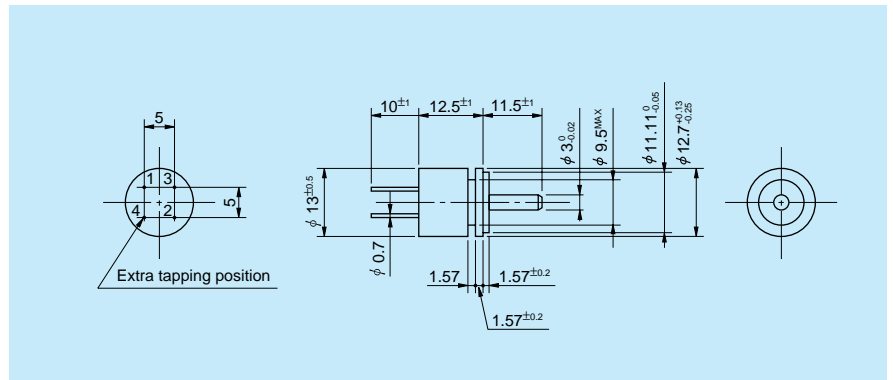


● Standard Dimensions



● General Specifications

<b>Standard Resistance Values:</b>	1k, 2k, 5k, 10k (Ω)
<b>Total Resistance Tolerance:</b>	Standard Class ±15% (L) Precision Class ±10% (K)
<b>Function Characteristics:</b>	Sine 360° , 20dB log, X <sup>2</sup> (0 ≤ X ≤ 1) 1/X (1 ≤ X ≤ 10)
<b>Conformity Tolerance:</b>	Standard Class ±10%
<b>(Peak-Peak) Resolution:</b>	Precision Class ±5%
<b>Output Smoothness:</b>	Essentially infinite
<b>Power Rating:</b>	Below 0.1% against input voltage 0.2W

<b>Electrical Travel:</b>	300° ±5° (360° in case of Sine 360°)
<b>Mechanical Travel:</b>	360° (Endless)
<b>Insulation Resistance:</b>	Over 1,000MΩ at 500V.D.C.
<b>Dielectric Strength:</b>	1 minute at 500V.A.C.
<b>Starting Torque:</b>	Below 1mN•m (10gf•cm)
<b>Resistance Temperature Coefficient:</b>	±400p.p.m./°C
<b>Mass:</b>	Approx. 5g

● Special Specifications Available

Extra taps (Available up to 1 tap), Shaft with front and rear extension (Rear shaft with 1mm dia. and 10mm length), With stopper (Rotating angle becomes 310° and stopper strength is 0.3N•m [3kgf•cm]), Special electrical travel, Shaft dia. (∅3.175mm) with inch dimensions, Special machining on the shaft, Special functions, Bushingmount type (Same dimensions as FCP12AC).