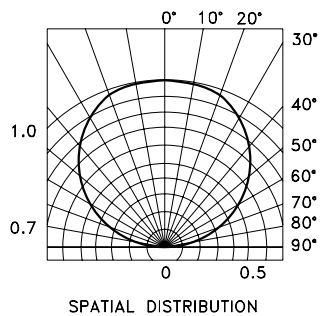
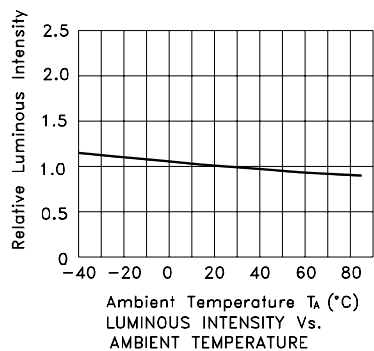
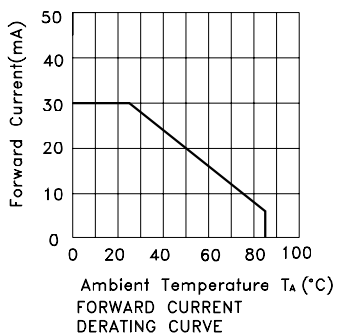
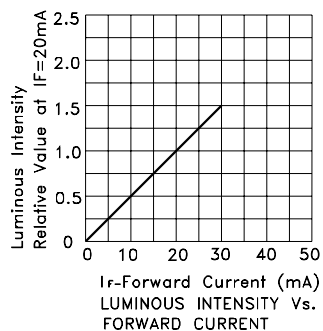
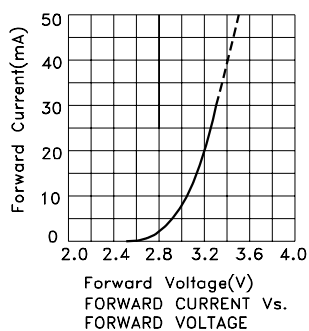


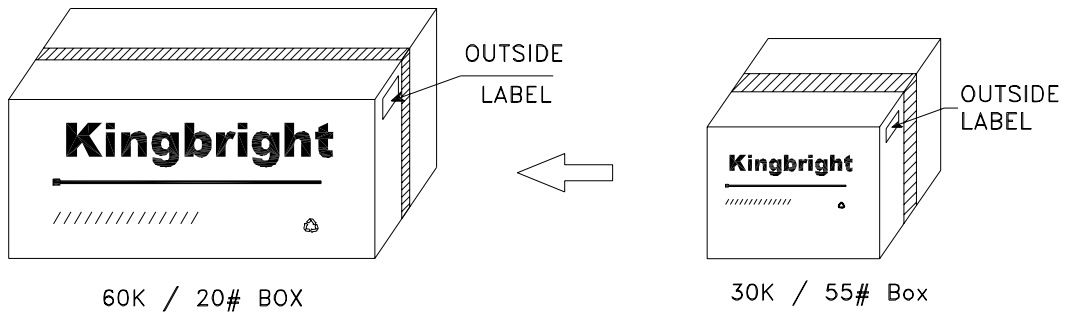
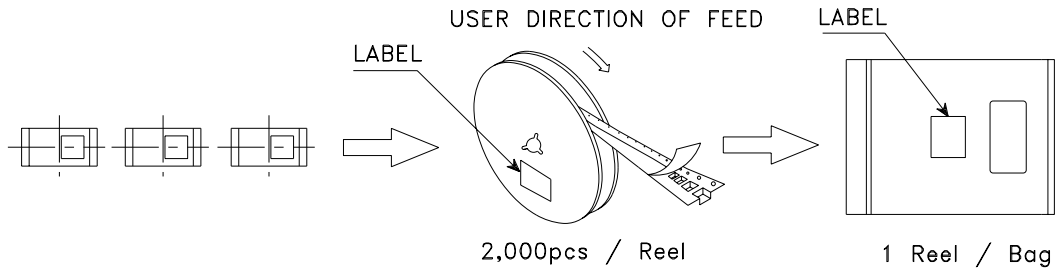
Blue

APHHS1005PBC/Z



PACKING & LABEL SPECIFICATIONS

APHHS1005PBC/Z



Kingbright


P/NO: APHHS1005xxx

QTY: 2000 pcs Q.C. Q C
xx xx xxxx
PASSED

S/N: XXXX

CODE: XXX

LOT NO:



xxxxxxxxxxxxxxxxxxxxxxxxxxxx

RoHS Compliant