

Compatible with Eu Directive 2002/95/EC - RoHS  
 Contains Pb in ceramic parts exempted from article 4(1) of the directive

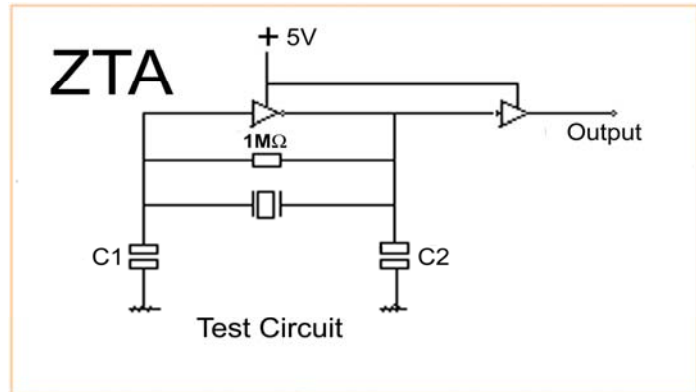
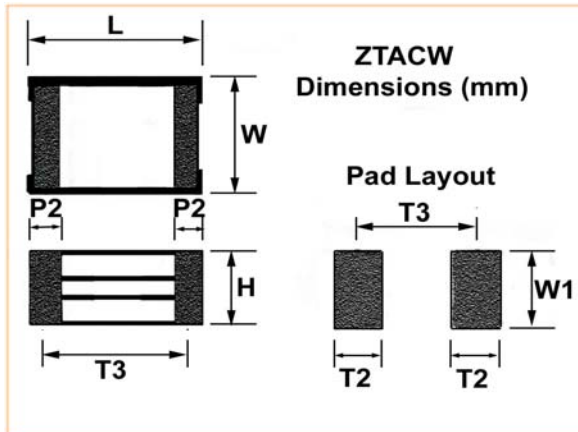
## ACT ZTACW SMD Resonators

The ACT ZTACW family of Ceramic SMD Resonators offers a cost effective solution to those applications requiring a wide temperature range together with accuracy.



### Specification

Part Type/ Number	Frequency Range MHz	Test IC	Vdd	Frequency accuracy @25°C (%)	Stability over temp. range (-20 +80°C)(%)	Aging over 10 years (%)	External Cap. (pF) C1 & C2
ZTACW MG	20.01 ~ 60.0	CD4069UBE x 2	+5V	±0.5	±0.3	±0.3	30
Vibration Mode Thickness Shear.		For frequencies between 50 & 60MHz specification may vary from above please enquire.					



	L	W	H	P2	T2	T3	W1
ZTACW MG	2.5±0.2	2.0±0.2	1.5max	0.4±0.2	0.4±0.2	2.0±0.2	3.0±0.2

#### Important note when using Ceramic resonators with micro controllers:

Some resonator parameters vary considerably with frequency and physical construction/size. These differences are too great to be able to be practically shown in a data sheet.

However, these parameters can be critical when the resonators are used with micro controllers. Even if two different resonators appear to have the same specification the typical values of these critical parameters can be considerably different. When enquiring about resonators for use with micro controllers it is important to supply the make and part number of the IC to be used and/or the list of recommended resonators, if this is given.

Please note that all parameters can not necessarily be specified in the same device

Customer to specify : Frequency, Package Type and Size

In line with our ongoing policy of product evolution and improvement, the above specification may be subject to change without notice

ISO9001:2000 Registered

For quotations or further information please contact us at:

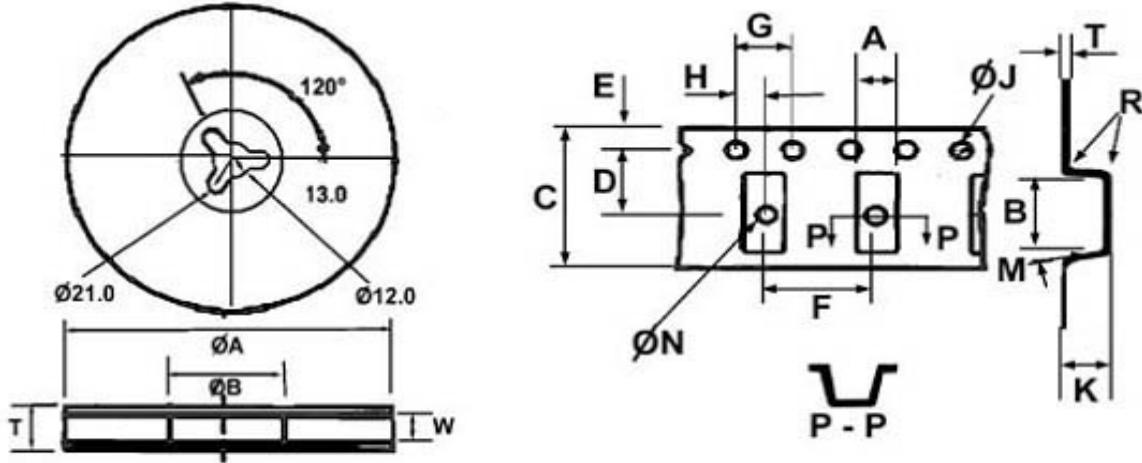
3 The Business Centre, Molly Millars Lane, Wokingham, Berkshire, RG41 2EY, UK

<http://www.actcrystals.com>

Issue : 7 C1r

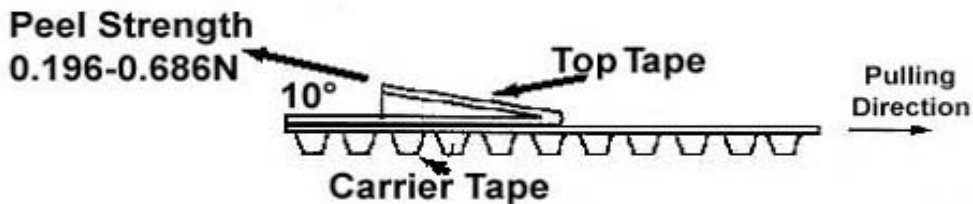
Date :28/09/05

ZTACW SMD TAPE AND REEL / SOLDERING INFORMATION

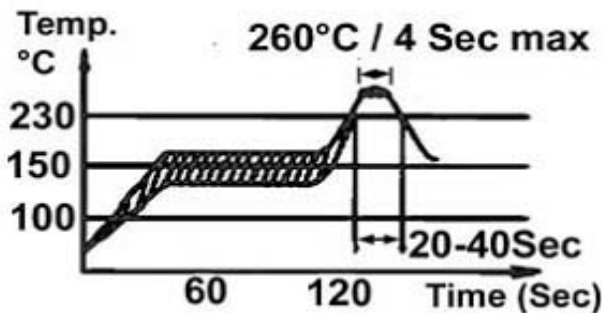


ØA	ØB	W	T	Pieces / reel	Carrier Tape (mm)
179±2	60typ	8.4min	14 max	3000	8

	A	B	C	D	E	F	G	H	JØ	NØ	M	R	K	T
	±0.2	±0.2	±0.3	±0.1	±0.1	±0.1	±0.1	±0.1	±0.1	±0.1	max	max	±0.2	±0.1
ZTACW	2.2	2.8	8.0	3.5	1.75	4	4	2	1.6	1.1	3°	0.3	1.3	0.2
ZTTCW														



**Maximum Reflow**



ISO9001:2000 Registered

For quotations or further information please contact us at:  
3 The Business Centre, Molly Millars Lane, Wokingham, Berkshire, RG41 2EY, UK  
<http://www.actcrystals.com>

Issue : 7 C1r  
Date : 28/09/05