



ACT631SMX-2

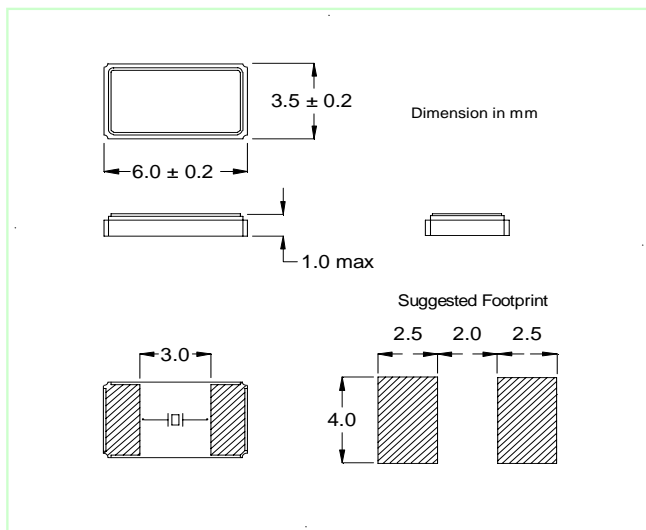
The ACT631SMX-2 is a 2 pad, high quality, low aging, metal seam packaged crystal suitable for automatic placement on printed circuit boards. With a wide frequency range, and tight stability it has become one of the optimum choices for design engineers. Applications include Communications, Microprocessor System Instrumentation and many more.



Specification

Parameter	Symbol	Specification	Condition
Frequency Range	fo	12.00 ~ 120.00 MHz	Please specify
Frequency Tolerance	$\Delta f/f_0$	$\pm 10\text{ppm} \sim 50\text{ppm}$	@25°C
Stability over Temp Range	Tc	$\pm 10\text{ppm} \sim 30\text{ppm}$	Please specify
Temp Operating Range	Topr	-20 ~ +70°C & -40 ~ +85°C	Please specify
Temp Storage Range	Tstg	-40 ~ +125°C	
Equivalent Series Resistance	ESR	See table below	
Load Capacitance	CL	6 ~ 30pF	Please specify
Shunt Capacitance	C0	7pF max	
Drive Level	DL	100 μ W max	
Insulation Resistance	IR	500M Ω min	@100V DC
Aging	Fa	$\pm 5\text{ppm} / \text{year max}$	@25°C

Frequency Range (MHz)	ESR (Ω) max	Mode
12.0 ~ 15.9	60	Fundamental
16.1 ~ 45.0	40	Fundamental
32.0 ~ 120.0	80	Third Overtone



Please note that all parameters can not necessarily be specified in the same device

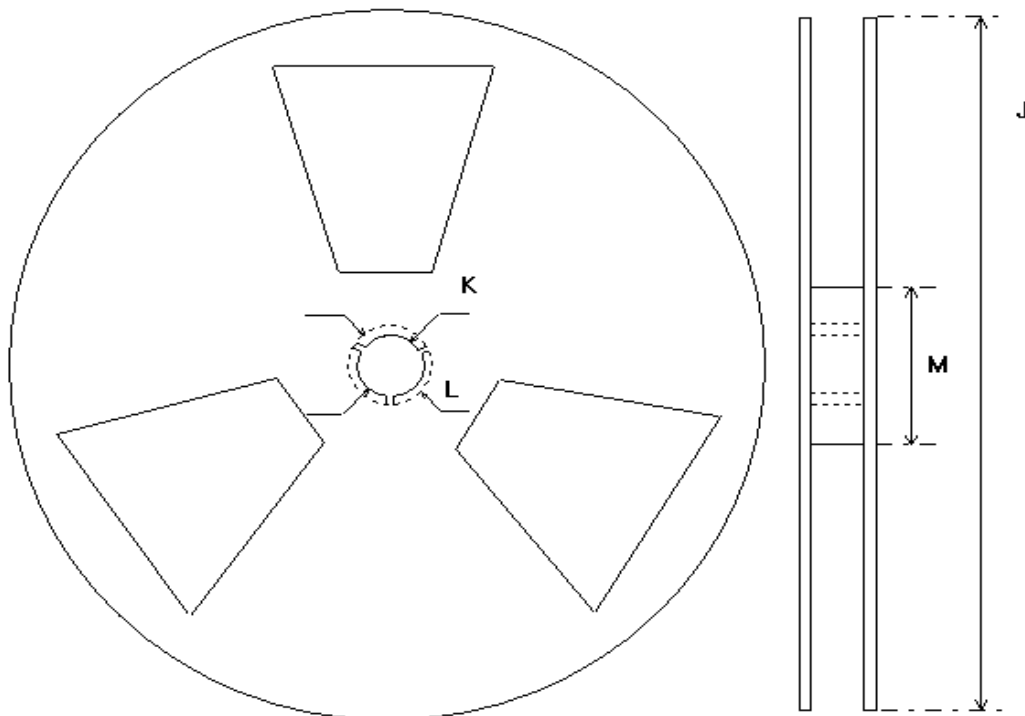
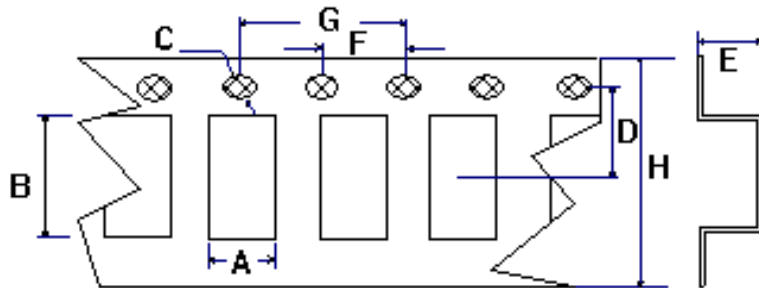
In line with our ongoing policy of product evolution and improvement, the above specification may be subject to change without notice

ISO9001:2000 Registered

For quotations or further information please contact us at:
 3 The Business Centre, Molly Millars Lane, Wokingham, Berkshire, RG41 2EY, UK
<http://www.actcrystals.com>

Issue: 5 D2
 Date: 16/08/04

ACT631SMX-2 TAPE AND REEL DIMENSIONS (mm)



	A	B	C	D	E	F	G	H	J	K	L	M
ACT631SMX-2/4	3.9	6.4	1.5	7.5	1.4	4.0	8.0	16.0	178	13	23	60

Please note that all parameters can not necessarily be specified in the same device
 Customer to specify : Frequency, Frequency Tolerance, Temperature Stability, Operating Temperature & Load Capacitance
 In line with our ongoing policy of product evolution and improvement, the above specification may be subject to change without notice

ISO9001:2000 Registered

For quotations or further information please contact us at:
 3 The Business Centre, Molly Millars Lane, Wokingham, Berkshire, RG41 2EY, UK

<http://www.actcrystals.com>

Issue: 5 D2
 Date: 16/08/04