



# Remote $\pm 1^\circ\text{C}$ Accurate Digital Temperature Sensors with SPI-Compatible Serial Interface

## General Description

The MAX6627/MAX6628 precise digital temperature sensors report the temperature of a remote sensor. The remote sensor is a diode-connected transistor, typically a low-cost, easily mounted 2N3904 NPN type that replaces conventional thermistors or thermocouples. The MAX6627/MAX6628 can also measure the die temperature of other ICs, such as microprocessors ( $\mu\text{Ps}$ ) or microcontrollers ( $\mu\text{Cs}$ ) that contain an on-chip, diode-connected transistor.

Remote accuracy is  $\pm 1^\circ\text{C}$  when the temperature of the remote diode is between  $0^\circ\text{C}$  and  $+125^\circ\text{C}$  and the temperature of the MAX6627/MAX6628 is  $+30^\circ\text{C}$ . The temperature is converted to a 12-bit + sign word with  $0.0625^\circ\text{C}$  resolution. The architecture of the device is capable of interpreting data as high as  $+145^\circ\text{C}$  from the remote sensor. The MAX6627/MAX6628 temperature should never exceed  $+125^\circ\text{C}$ .

These sensors are 3-wire serial interface SPI™ compatible, allowing the MAX6627/MAX6628 to be readily connected to a variety of  $\mu\text{Cs}$ . The MAX6627/MAX6628 are read-only devices, simplifying their use in systems where only temperature data is required.

Two conversion rates are available, one that continuously converts data every 0.5s (MAX6627), and one that converts data every 8s (MAX6628). The slower version provides minimal power consumption under all operating conditions ( $30\mu\text{A}$ , typ). Either device can be read at any time and provide the data from the last conversion.

Both devices operate with supply voltages between  $+3.0\text{V}$  and  $+5.5\text{V}$ , are specified between  $-55^\circ\text{C}$  and  $+125^\circ\text{C}$ , and come in space-saving 8-pin SOT23 and lead-free TDFN packages.

## Applications

- Hard Disk Drive
- Smart Battery Packs
- Automotive
- Industrial Control Systems
- Notebooks, PCs

SPI is a trademark of Motorola, Inc.

Pin Configurations appears at end of data sheet.



## Features

- ◆ Accuracy
  - $\pm 1^\circ\text{C}$  (max) from  $0^\circ\text{C} \leq T_{\text{RJ}} \leq +125^\circ\text{C}$ ,  $T_{\text{A}} = +30^\circ\text{C}$
  - $\pm 2.4^\circ\text{C}$  (max) from  $-55^\circ\text{C} \leq T_{\text{RJ}} \leq +100^\circ\text{C}$ ,  $0^\circ\text{C} \leq T_{\text{A}} \leq +70^\circ\text{C}$
- ◆ 12-Bit + Sign,  $0.0625^\circ\text{C}$  Resolution
- ◆ Low Power Consumption
  - $30\mu\text{A}$  (typ) (MAX6628)
  - $200\mu\text{A}$  (typ) (MAX6627)
- ◆ Operating Temperature Range ( $-55^\circ\text{C}$  to  $+125^\circ\text{C}$ )
- ◆ Measurement Temperature Range, Remote Junction ( $-55^\circ\text{C}$  to  $+145^\circ\text{C}$ )
- ◆ 0.5s (MAX6627) or 8s (MAX6628) Conversion Rate
- ◆ SPI-Compatible Interface
- ◆  $+3.0\text{V}$  to  $+5.5\text{V}$  Supply Range
- ◆ 8-Pin SOT23 and TDFN Packages
- ◆ Lead-Free Version Available (TDFN Package)

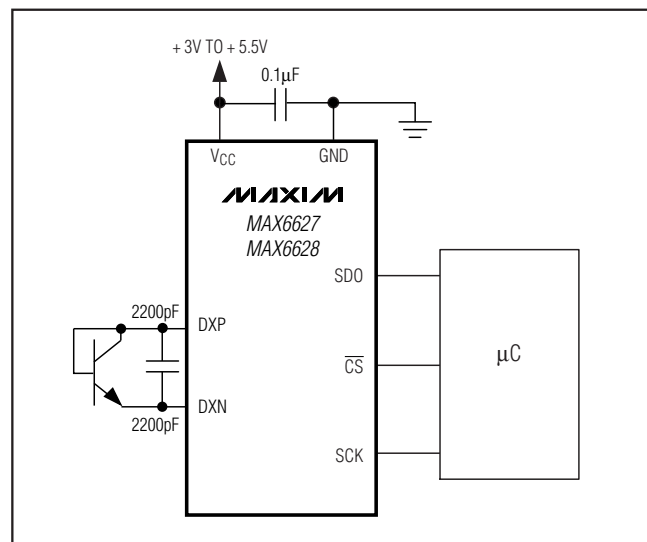
## Ordering Information

PART	PIN-PACKAGE	TOP MARK	PKG CODE
MAX6627MKA-T	8 SOT23-8	AAEQ	K8F-4
MAX6627MTA+T	8 TDFN	+AUT	T833-2
MAX6628MKA-T	8 SOT23-8	AAER	K8F-4
MAX6628MTA+T	8 TDFN	+AUU	T833-2

**Note:** All devices are specified over the  $-55^\circ\text{C}$  to  $+125^\circ\text{C}$  operating temperature range.

+Denotes lead-free package.

## Typical Operating Circuit



MAX6627/MAX6628

# Remote $\pm 1^\circ\text{C}$ Accurate Digital Temperature Sensors with SPI-Compatible Serial Interface

## ABSOLUTE MAXIMUM RATINGS

(All voltages referenced to GND.)

V <sub>CC</sub> .....	-0.3V to +6V
SO, SCK, DXP, $\overline{\text{CS}}$ .....	-0.3V to V <sub>CC</sub> + 0.3V
DXN .....	-0.3V to +0.8V
SO Pin Current Range .....	-1mA to +50mA
Current Into All Other Pins .....	10mA
ESD Protection (Human Body Model) .....	2000V

Continuous Power Dissipation (T<sub>A</sub> = +70°C)

8-Pin SOT23 (derate 9.7mW/°C above +70°C) .....	777mW
8-Pin TDFN (derate 18.5mW/°C above +70°C) .....	1481.5mW
Operating Temperature Range .....	-55°C to +125°C
Junction Temperature .....	+150°C
Storage Temperature Range .....	-65°C to +150°C
Lead Temperature (soldering, 10s) .....	+300°C

Stresses beyond those listed under "Absolute Maximum Ratings" may cause permanent damage to the device. These are stress ratings only, and functional operation of the device at these or any other conditions beyond those indicated in the operational sections of the specifications is not implied. Exposure to absolute maximum rating conditions for extended periods may affect device reliability.

## ELECTRICAL CHARACTERISTICS

(3.0V ≤ V<sub>CC</sub> ≤ 5.5V, -55°C ≤ T<sub>A</sub> ≤ +125°C, unless otherwise noted. Typical values are at T<sub>A</sub> = +25°C, V<sub>CC</sub> = +3.3V, unless otherwise noted.)

PARAMETER	SYMBOL	CONDITIONS	MIN	TYP	MAX	UNITS
<b>TEMPERATURE</b>						
Accuracy (Note 1)		0°C ≤ T <sub>RJ</sub> ≤ +125°C, T <sub>A</sub> = +30°C, V <sub>CC</sub> = +3.3V	-1.0	±0.5	±1	°C
		-55°C ≤ T <sub>RJ</sub> ≤ +100°C, 0°C ≤ T <sub>A</sub> ≤ +70°C, V <sub>CC</sub> = +3.3V	-2.4		+2.4	
		-55°C ≤ T <sub>RJ</sub> ≤ +145°C, 0°C ≤ T <sub>A</sub> ≤ +70°C, V <sub>CC</sub> = +3.3V	-4.5		+4.5	
		-55°C ≤ T <sub>RJ</sub> ≤ +125°C, -55°C ≤ T <sub>A</sub> ≤ +125°C, V <sub>CC</sub> = +3.3V	-5.5		+5.5	
Power-Supply Sensitivity				0.25	0.7	°C/V
Resolution				0.0625		°C
Time Between Conversion Starts	t <sub>SAMPLE</sub>	MAX6627		0.5		s
		MAX6628		8		
Conversion Time	t <sub>CONV</sub>		180	250	320	ms
<b>POWER SUPPLY</b>						
Supply Voltage Range	V <sub>CC</sub>		3.0		5.5	V
Supply Current, SCK Idle	I <sub>SD</sub>	Shutdown, V <sub>CC</sub> = +0.8V			5	μA
	I <sub>IDLE</sub>	ADC idle, $\overline{\text{CS}}$ = low			20	
	I <sub>CONV</sub>	ADC converting		360	600	
Average Operating Current	I <sub>CC</sub>	MAX6627		200	400	μA
		MAX6628		30	50	
Power-On Reset (POR) Threshold		V <sub>CC</sub> , falling edge		1.6		V
Current Sourcing for Diode		High level	80	100	120	μA
		Low level	8	10	12	

# Remote $\pm 1^\circ\text{C}$ Accurate Digital Temperature Sensors with SPI-Compatible Serial Interface

MAX6627/MAX6628

## ELECTRICAL CHARACTERISTICS (continued)

( $3.0\text{V} \leq V_{\text{CC}} \leq 5.5\text{V}$ ,  $-55^\circ\text{C} \leq T_{\text{A}} \leq +125^\circ\text{C}$ , unless otherwise noted. Typical values are at  $T_{\text{A}} = +25^\circ\text{C}$ ,  $V_{\text{CC}} = +3.3\text{V}$ , unless otherwise noted.)

PARAMETER	SYMBOL	CONDITIONS	MIN	TYP	MAX	UNITS
<b>LOGIC INPUTS (<math>\overline{\text{CS}}</math>, SCK)</b>						
Logic Input Low Voltage	$V_{\text{IL}}$				$0.3 \times V_{\text{CC}}$	V
Logic Input High Voltage	$V_{\text{IH}}$		$0.7 \times V_{\text{CC}}$			V
Input Leakage Current	$I_{\text{LEAK}}$	$\overline{\text{CS}} = \text{VSCK} = \text{GND}$ or $V_{\text{CC}}$			1	$\mu\text{A}$
<b>LOGIC OUTPUTS (SO)</b>						
Output Low Voltage	$V_{\text{OL}}$	$I_{\text{SINK}} = 1.6\text{mA}$			0.4	
Output High Voltage	$V_{\text{OH}}$	$I_{\text{SOURCE}} = 1.6\text{mA}$	$V_{\text{CC}} - 0.4$			V
<b>TIMING CHARACTERISTICS</b> (Note 2, Figure 2)						
Serial-Clock Frequency	$f_{\text{SCL}}$				5	MHz
SCK Pulse Width High	$t_{\text{CH}}$		100			ns
SCK Pulse Width Low	$t_{\text{CL}}$		100			ns
$\overline{\text{CS}}$ Fall to SCK Rise	$t_{\text{CSS}}$	$C_{\text{LOAD}} = 10\text{pF}$	80			ns
$\overline{\text{CS}}$ Fall to Output Enable	$t_{\text{DV}}$	$C_{\text{LOAD}} = 10\text{pF}$			80	ns
$\overline{\text{CS}}$ Rise to Output Disable	$t_{\text{TR}}$	$C_{\text{LOAD}} = 10\text{pF}$			50	ns
SCK Fall to Output Data Valid	$t_{\text{DO}}$	$C_{\text{LOAD}} = 10\text{pF}$			80	ns

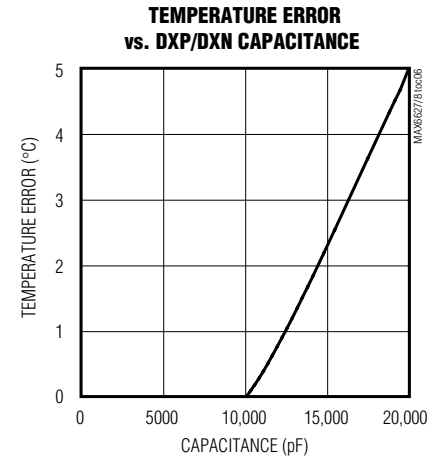
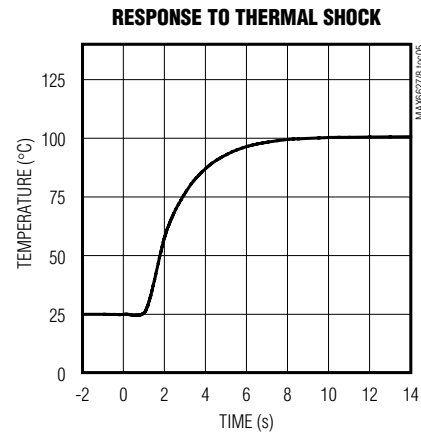
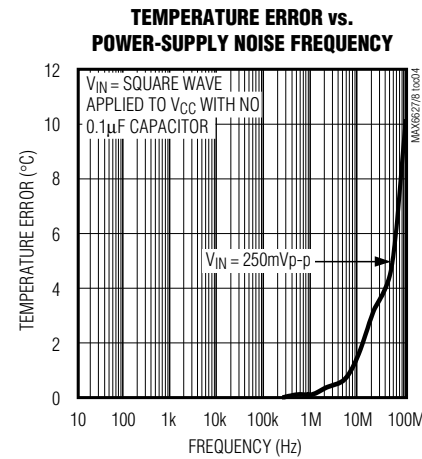
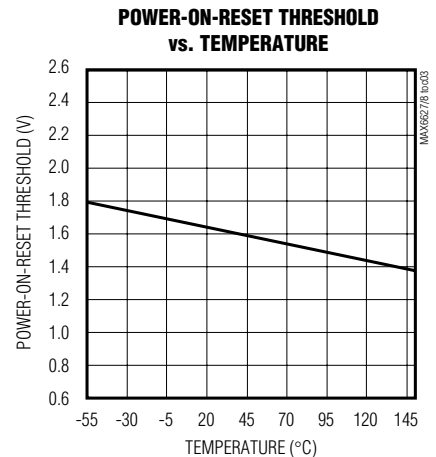
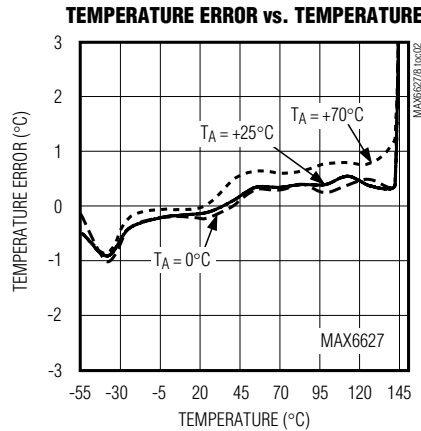
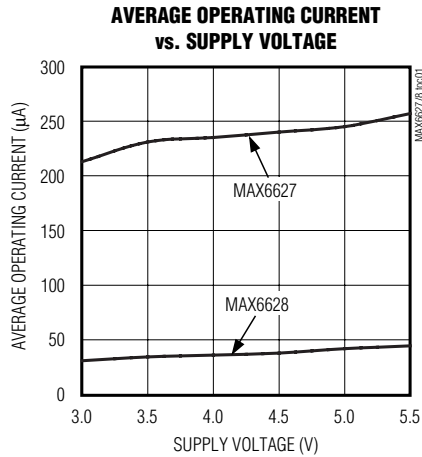
**Note 1:**  $T_{\text{RJ}}$  is the temperature of the remote junction.

**Note 2:** Serial timing characteristics guaranteed by design.

# Remote $\pm 1^\circ\text{C}$ Accurate Digital Temperature Sensors with SPI-Compatible Serial Interface

## Typical Operating Characteristics

( $V_{CC} = +3.3\text{V}$ ,  $T_A = +25^\circ\text{C}$ , unless otherwise noted.)



## Pin Description

PIN	NAME	FUNCTION
1	GND	Ground
2	DXN	Combined Current Sink and ADC Negative Input for Remote Diode. DXN is normally biased to a diode voltage above ground.
3	DXP	Combined Current Source and ADC Positive Input for Remote Diode
4	VCC	Supply Voltage Input. Bypass with a 0.1 $\mu\text{F}$ to GND.
5	SCK	SPI Clock Input
6	$\overline{\text{CS}}$	Chip Select Input. Pulling $\overline{\text{CS}}$ low initiates an idle state, but the SPI interface is still enabled. A rising edge of $\overline{\text{CS}}$ initiates the next conversion.
7	SO	SPI Data Output
8	N.C.	No Connect. Can be connected to GND for improved thermal conductivity.

# Remote ±1°C Accurate Digital Temperature Sensors with SPI-Compatible Serial Interface

## Detailed Description

The MAX6627/MAX6628 remote digital thermometers report the temperature of a remote sensor. The remote sensor is a diode-connected transistor—typically, a low-cost, easily mounted 2N3904 NPN type—that replaces conventional thermistors or thermocouples. The MAX6627/MAX6628 can also measure the die temperature of other ICs, such as  $\mu$ Ps or  $\mu$ Cs, that contain an on-chip, diode-connected transistor.

Remote accuracy is  $\pm 1^\circ\text{C}$  when the temperature of the remote diode is between  $0^\circ\text{C}$  and  $+125^\circ\text{C}$  and the temperature of the MAX6627/MAX6628 is  $+30^\circ\text{C}$ . Data is available as a 12-bit + sign word with  $0.0625^\circ\text{C}$  resolution. The operating range of the device extends from  $-55^\circ\text{C}$  to  $+125^\circ\text{C}$ , although the architecture of the device is capable of interpreting data up to  $+145^\circ\text{C}$ . The device itself should never exceed  $+125^\circ\text{C}$ .

The MAX6627/MAX6628 are designed to work in conjunction with an external  $\mu$ C or other intelligent device serving as the master in thermostatic, process-control, or monitoring applications. The  $\mu$ C is typically a power management or keyboard controller, generating SPI serial commands by “bit-banging” GPIO pins.

Two conversion rates are available; the MAX6627 continuously converts data every 0.5s, and the MAX6628 continuously converts data every 8s. Either device can be read at any time and provide the data from the last conversion. The slower version provides minimal power consumption under all operating conditions. Or, by tak-

ing  $\overline{\text{CS}}$  low, any conversion in progress is stopped, and the rising edge of  $\overline{\text{CS}}$  always starts a fresh conversion and resets the interface. This permits triggering a conversion at any time so that the power consumption of the MAX6627 can be overcome, if needed. Both devices operate with input voltages between +3.0V and +5.5V and are specified between  $-55^\circ\text{C}$  and  $+125^\circ\text{C}$ . The MAX6627/MAX6628 come in space-saving 8-pin SOT23 and TDFN packages.

## ADC Conversion Sequence

The device powers up as a free-running data converter (Figure 1). The  $\overline{\text{CS}}$  pin can be used for conversion control. The rising edge of  $\overline{\text{CS}}$  resets the interface and starts a conversion. The falling edge of  $\overline{\text{CS}}$  stops any conversion in progress, overriding the latency of the part. Temperature data from the previous completed conversion is available for read (Tables 1 and 2). It is required to maintain  $\overline{\text{CS}}$  high for a minimum of 320ms to complete a conversion.

## Idle Mode

Pull  $\overline{\text{CS}}$  low to enter idle mode. In idle mode, the ADC is not converting. The serial interface is still active and temperature data from the last completed conversion can still be read.

## Power-On Reset

The POR supply voltage of the MAX6627/MAX6628 is typically 1.6V. Below this supply voltage, the interface is inactive and the data register is set to the POR state,

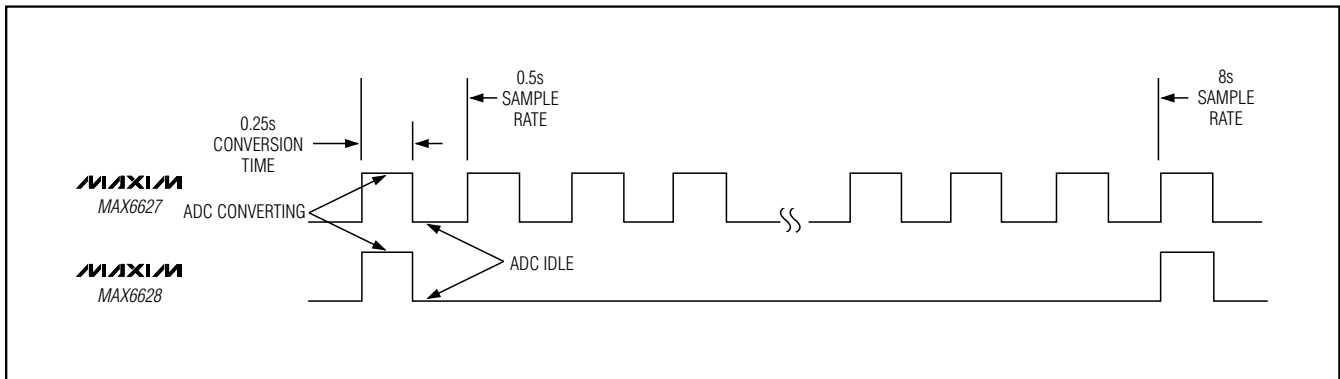


Figure 1. Free-Running Conversion Time and Rate Relationships

Table 1. Data Output Format

D15	D14	D13	D12	D11	D10	D9	D8	D7	D6	D5	D4	D3	D2	D1	D0
Sign	MSB Data											LSB Data	Low	High-Z	High-Z

# Remote $\pm 1^\circ\text{C}$ Accurate Digital Temperature Sensors with SPI-Compatible Serial Interface

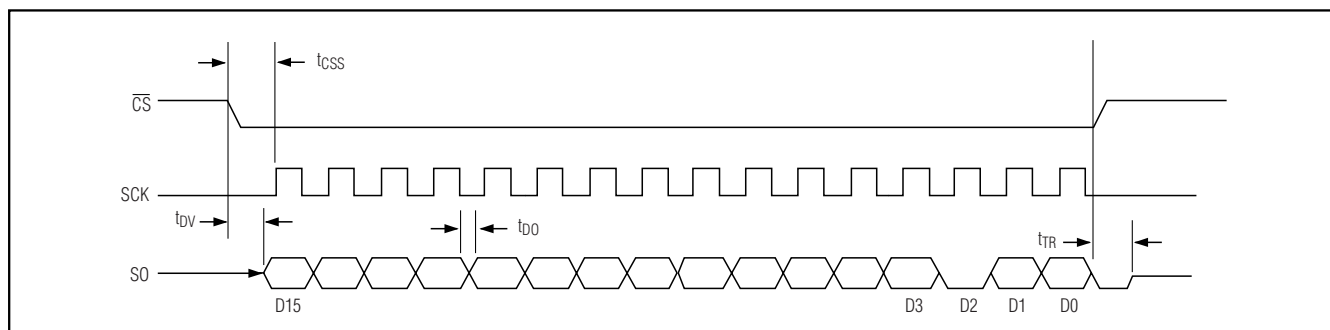


Figure 2. SPI Timing Diagram

**Table 2. Temperature Data Format (Two's Complement)**

TEMPERATURE ( $^\circ\text{C}$ )	DIGITAL OUTPUT (BINARY)		
	D15–D3	D2	D1, D0
150	0,1001,0110,0000	0	XX
125	0,0111,1101,0000	0	XX
25	0,0001,1001,0000	0	XX
0.0625	0,0000,0000,0001	0	XX
0	0,0000,0000,0000	0	XX
-0.0625	1,1111,1111,1111	0	XX
-25	1,1110,0111,0000	0	XX
-55	1,1100,1001,0000	0	XX

$0^\circ\text{C}$ . When power is first applied and  $V_{CC}$  rises above 1.6V (typ), the device starts to convert, although temperature reading is not recommended at  $V_{CC}$  levels below 3.0V.

### Serial Interface

Figure 2 is the serial interface timing diagram. The data is latched into the shift register on the falling edge of the  $\overline{CS}$  signal and then clocked out at the SO pin on the falling edge of SCK with the most-significant bit (MSB) first. There are 16 edges of data per frame. The last 2 bits, D0 and D1, are always in high-impedance mode. The falling edge of  $\overline{CS}$  stops any conversion in progress, and the rising edge of  $\overline{CS}$  always starts a new conversion and resets the interface. It is required to maintain a 320ms minimum pulse width of high  $\overline{CS}$  signal before a conversion starts.

## Applications Information

### Remote-Diode Selection

Temperature accuracy depends upon having a good-quality, diode-connected, small-signal transistor.

Accuracy has been experimentally verified for all of the devices listed in Table 3. The MAX6627/MAX6628 can also directly measure the die temperature of CPUs and other ICs with on-board temperature-sensing diodes.

The transistor must be a small-signal type with a relatively high forward voltage. This ensures that the input voltage is within the A/D input voltage range. The forward voltage must be greater than 0.25V at  $10\mu\text{A}$  at the highest expected temperature. The forward voltage must be less than 0.95V at  $100\mu\text{A}$  at the lowest expected temperature. The base resistance has to be less than  $100\Omega$ . Tight specification of forward-current gain (+50 to +150, for example) indicates that the manufacturer has good process control and that the devices have consistent characteristics.

### ADC Noise Filtering

The integrating ADC has inherently good noise rejection, especially of low-frequency signals such as 60Hz/120Hz power-supply hum. Micropower operation places constraints on high-frequency noise rejection. Lay out the PC board carefully with proper external noise filtering for high-accuracy remote measurements in electrically noisy environments.

**Table 3. SOT23-Type Remote-Sensor Transistor Manufacturers**

MANUFACTURER	MODEL
Central Semiconductor (USA)	CMPT3904
Motorola (USA)	MMBT3904
Rohm Semiconductor (Japan)	SST3904
Siemens (Germany)	SMBT3904
Zetex (England)	FMMT3904CT-ND

**Note:** Transistors must be diode connected (short the base to the collector).

# Remote $\pm 1^{\circ}\text{C}$ Accurate Digital Temperature Sensors with SPI-Compatible Serial Interface

MAX6627/MAX6628

Filter high-frequency electromagnetic interference (EMI) at DXP and DXN with an external 2200pF capacitor connected between the two inputs. This capacitor can be increased to about 3300pF (max), including cable capacitance. A capacitance higher than 3300pF introduces errors due to the rise time of the switched-current source.

## PC Board Layout

- 1) Place the MAX6627/MAX6628 as close as practical to the remote diode. In a noisy environment, such as a computer motherboard, this distance can be 4in to 8in, or more, as long as the worst noise sources (such as CRTs, clock generators, memory buses, and ISA/PCI buses) are avoided.
- 2) Do not route the DXP/DXN lines next to the deflection coils of a CRT. Also, do not route the traces across a fast memory bus, which can easily introduce  $+30^{\circ}\text{C}$  error, even with good filtering. Otherwise, most noise sources are fairly benign.
- 3) Route the DXP and DXN traces parallel and close to each other, away from any high-voltage traces such as +12VDC. Avoid leakage currents from PC board contamination. A  $20\text{M}\Omega$  leakage path from DXP to ground causes approximately  $+1^{\circ}\text{C}$  error.
- 4) Connect guard traces to GND on either side of the DXP/DXN traces (Figure 3). With guard traces in place, routing near high-voltage traces is no longer an issue.
- 5) Route as few vias and crossunders as possible to minimize copper/solder thermocouple effects.
- 6) When introducing a thermocouple, make sure that both the DXP and the DXN paths have matching thermocouples. In general, PC board-induced thermocouples are not a serious problem. A copper solder thermocouple exhibits  $3\mu\text{V}/^{\circ}\text{C}$ , and it takes approximately  $200\mu\text{V}$  of voltage error at DXP/DXN to cause a  $+1^{\circ}\text{C}$  measurement error, so most parasitic thermocouple errors are swamped out.
- 7) Use wide traces. Narrow traces are more inductive and tend to pick up radiated noise. The 10mil

widths and spacings recommended in Figure 3 are not absolutely necessary (as they offer only a minor improvement in leakage and noise), but use them where practical.

- 8) Placing an electrically clean copper ground plane between the DXP/DXN traces and traces carrying high-frequency noise signals helps reduce EMI.

## Twisted Pair and Shielded Cables

For remote-sensor distances longer than 8in, or in particularly noisy environments, a twisted pair is recommended. Its practical length is 6ft to 12ft (typ) before noise becomes a problem, as tested in a noisy electronics laboratory. For longer distances, the best solution is a shielded twisted pair like that used for audio microphones. For example, Belden #8451 works well for distances up to 100ft in a noisy environment. Connect the twisted pair to DXP and DXN and the shield to ground, and leave the shield's remote end unterminated. Excess capacitance at DXN or DXP limits practical remote-sensor distances (see *Typical Operating Characteristics*).

For very long cable runs, the cable's parasitic capacitance often provides noise filtering, so the recommended 2200pF capacitor can often be removed or reduced in value. Cable resistance also affects remote-sensor accuracy. A  $1\Omega$  series resistance introduces about  $+1/2^{\circ}\text{C}$  error.

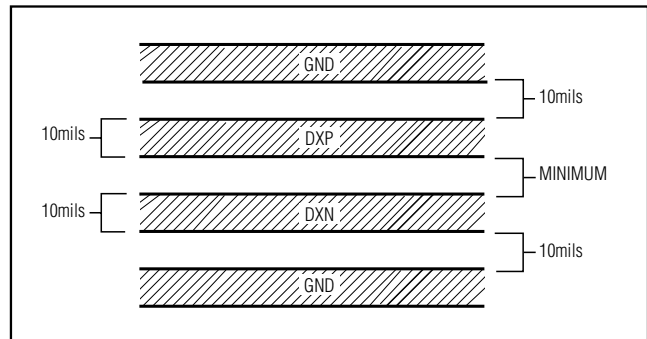
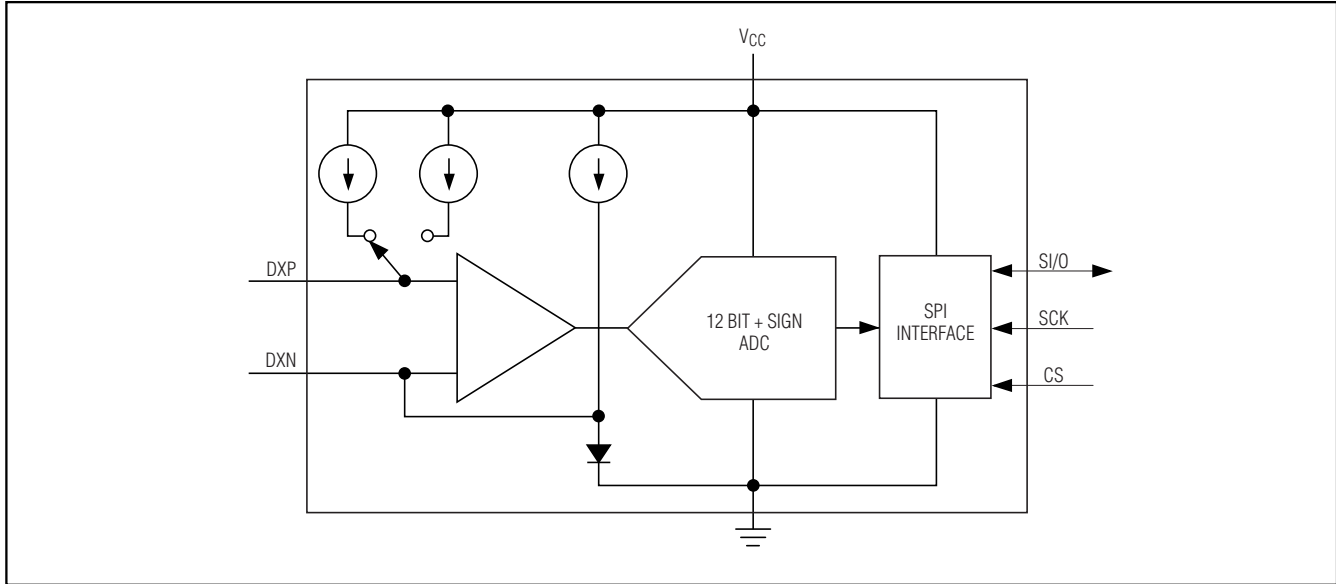


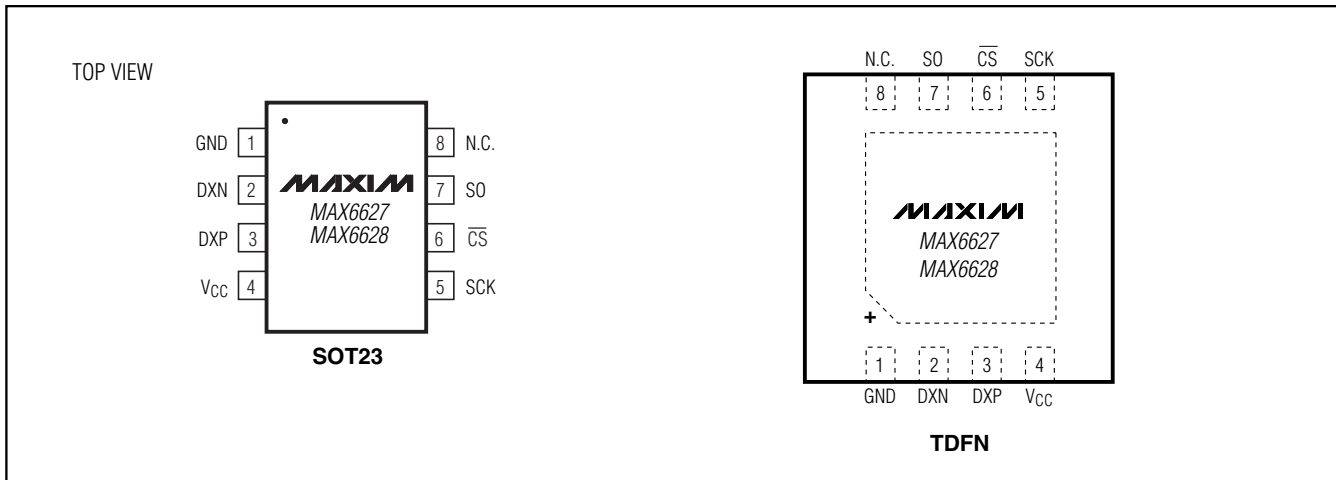
Figure 3. Recommended DXP/DXN PC Traces

# Remote $\pm 1^{\circ}\text{C}$ Accurate Digital Temperature Sensors with SPI-Compatible Serial Interface

## Functional Diagram



## Pin Configurations



## Chip Information

PROCESS: BiCMOS



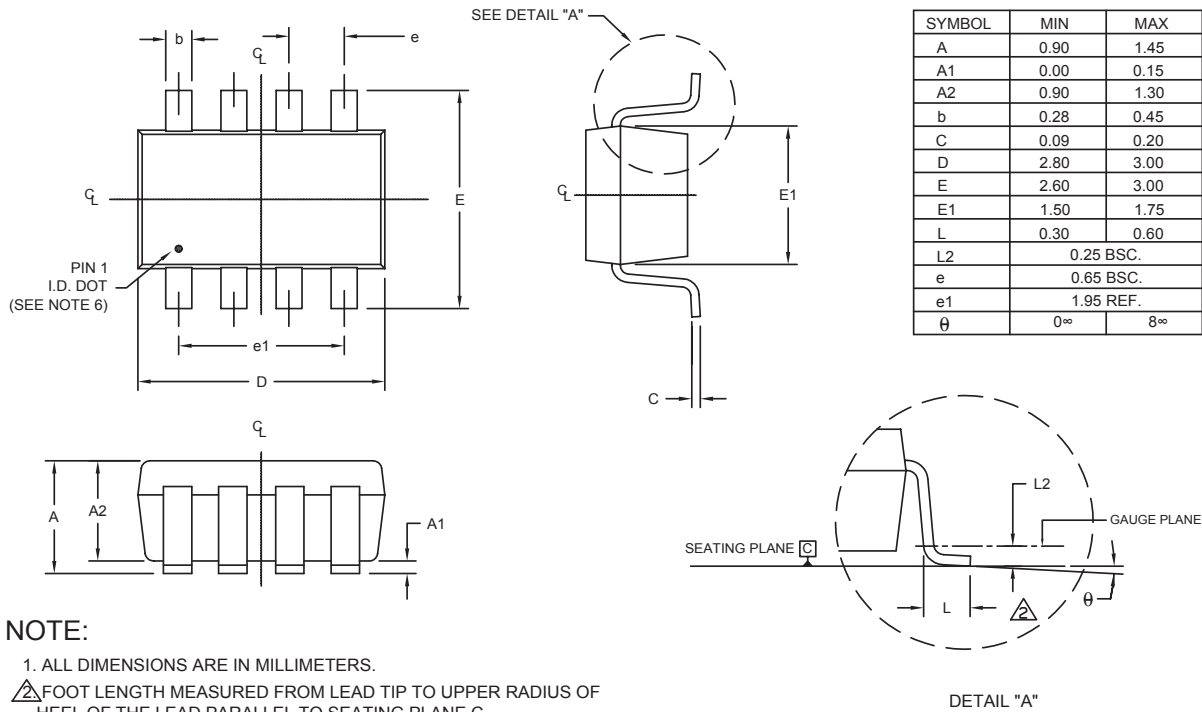
# Remote $\pm 1^{\circ}\text{C}$ Accurate Digital Temperature Sensors with SPI-Compatible Serial Interface

## Package Information

(The package drawing(s) in this data sheet may not reflect the most current specifications. For the latest package outline information, go to [www.maxim-ic.com/packages](http://www.maxim-ic.com/packages).)

MAX6627/MAX6628

SOT23-8L EFS



**NOTE:**

- ALL DIMENSIONS ARE IN MILLIMETERS.
- FOOT LENGTH MEASURED FROM LEAD TIP TO UPPER RADIUS OF HEEL OF THE LEAD PARALLEL TO SEATING PLANE C.
- PACKAGE OUTLINE EXCLUSIVE OF MOLD FLASH & METAL BURR.
- PACKAGE OUTLINE INCLUSIVE OF SOLDER PLATING.
- COPLANARITY 4 MILS. MAX.
- PIN 1 I.D. DOT IS 0.3 MM  $\phi$  MIN. LOCATED ABOVE PIN 1.
- SOLDER THICKNESS MEASURED AT FLAT SECTION OF LEAD BETWEEN 0.08mm AND 0.15mm FROM LEAD TIP.
- MEETS JEDEC MO178.

**DALLAS SEMICONDUCTOR** **MAXIM**

PROPRIETARY INFORMATION

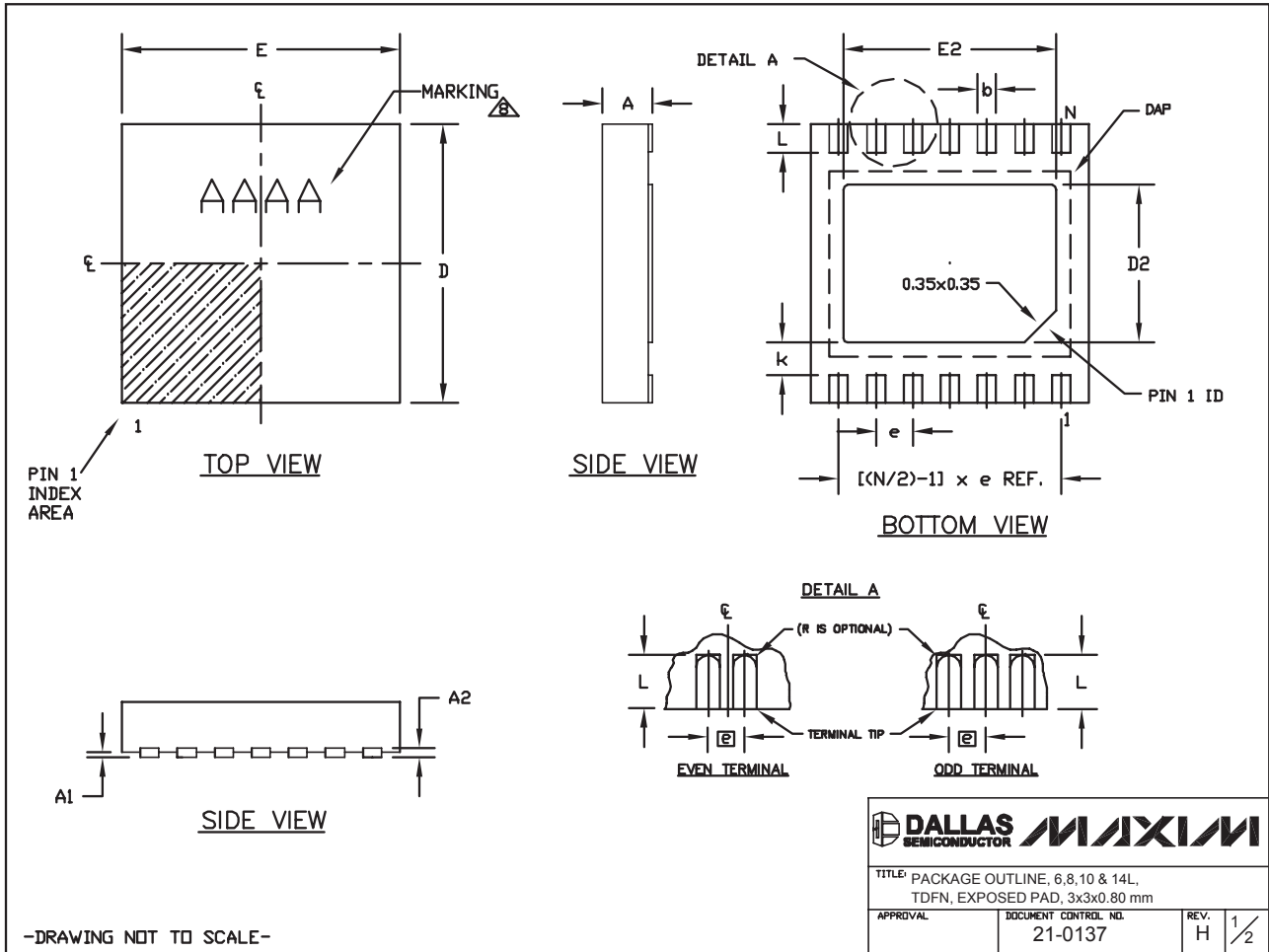
TITLE: PACKAGE OUTLINE, SOT-23, 8L BODY

APPROVAL	DOCUMENT CONTROL NO. 21-0078	REV. D	1/1
----------	---------------------------------	-----------	-----

# Remote $\pm 1^{\circ}\text{C}$ Accurate Digital Temperature Sensors with SPI-Compatible Serial Interface

## Package Information (continued)

(The package drawing(s) in this data sheet may not reflect the most current specifications. For the latest package outline information, go to [www.maxim-ic.com/packages](http://www.maxim-ic.com/packages).)



6, 8, & 10L, DFN THIN.EPS

# Remote $\pm 1^{\circ}\text{C}$ Accurate Digital Temperature Sensors with SPI-Compatible Serial Interface

## Package Information (continued)


(The package drawing(s) in this data sheet may not reflect the most current specifications. For the latest package outline information, go to [www.maxim-ic.com/packages](http://www.maxim-ic.com/packages).)

MAX6627/MAX6628



COMMON DIMENSIONS		
SYMBOL	MIN.	MAX.
A	0.70	0.80
D	2.90	3.10
E	2.90	3.10
A1	0.00	0.05
L	0.20	0.40
k	0.25 MIN.	
A2	0.20 REF.	

PACKAGE VARIATIONS							
PKG. CODE	N	D2	E2	e	JEDEC SPEC	b	[(N/2)-1] x e
T633-1	6	1.50 $\pm$ 0.10	2.30 $\pm$ 0.10	0.95 BSC	MO229 / WEEA	0.40 $\pm$ 0.05	1.90 REF
T633-2	6	1.50 $\pm$ 0.10	2.30 $\pm$ 0.10	0.95 BSC	MO229 / WEEA	0.40 $\pm$ 0.05	1.90 REF
T833-1	8	1.50 $\pm$ 0.10	2.30 $\pm$ 0.10	0.65 BSC	MO229 / WEEC	0.30 $\pm$ 0.05	1.95 REF
T833-2	8	1.50 $\pm$ 0.10	2.30 $\pm$ 0.10	0.65 BSC	MO229 / WEEC	0.30 $\pm$ 0.05	1.95 REF
T833-3	8	1.50 $\pm$ 0.10	2.30 $\pm$ 0.10	0.65 BSC	MO229 / WEEC	0.30 $\pm$ 0.05	1.95 REF
T1033-1	10	1.50 $\pm$ 0.10	2.30 $\pm$ 0.10	0.50 BSC	MO229 / WEED-3	0.25 $\pm$ 0.05	2.00 REF
T1033-2	10	1.50 $\pm$ 0.10	2.30 $\pm$ 0.10	0.50 BSC	MO229 / WEED-3	0.25 $\pm$ 0.05	2.00 REF
T1433-1	14	1.70 $\pm$ 0.10	2.30 $\pm$ 0.10	0.40 BSC	----	0.20 $\pm$ 0.05	2.40 REF
T1433-2	14	1.70 $\pm$ 0.10	2.30 $\pm$ 0.10	0.40 BSC	----	0.20 $\pm$ 0.05	2.40 REF

### NOTES:

1. ALL DIMENSIONS ARE IN mm. ANGLES IN DEGREES.
  2. COPLANARITY SHALL NOT EXCEED 0.08 mm.
  3. WARPAGE SHALL NOT EXCEED 0.10 mm.
  4. PACKAGE LENGTH/PACKAGE WIDTH ARE CONSIDERED AS SPECIAL CHARACTERISTIC(S).
  5. DRAWING CONFORMS TO JEDEC MO229, EXCEPT DIMENSIONS "D2" AND "E2", AND T1433-1 & T1433-2.
  6. "N" IS THE TOTAL NUMBER OF LEADS.
  7. NUMBER OF LEADS SHOWN ARE FOR REFERENCE ONLY.
-  MARKING IS FOR PACKAGE ORIENTATION REFERENCE ONLY.

-DRAWING NOT TO SCALE-

 	
<b>TITLE</b> PACKAGE OUTLINE, 6,8,10 & 14L, TDFN, EXPOSED PAD, 3x3x0.80 mm	
<b>APPROVAL</b>	<b>DOCUMENT CONTROL NO.</b> 21-0137
<b>REV.</b> H	<b>REV.</b> 2/2

Maxim cannot assume responsibility for use of any circuitry other than circuitry entirely embodied in a Maxim product. No circuit patent licenses are implied. Maxim reserves the right to change the circuitry and specifications without notice at any time.

Maxim Integrated Products, 120 San Gabriel Drive, Sunnyvale, CA 94086 408-737-7600 \_\_\_\_\_ 11