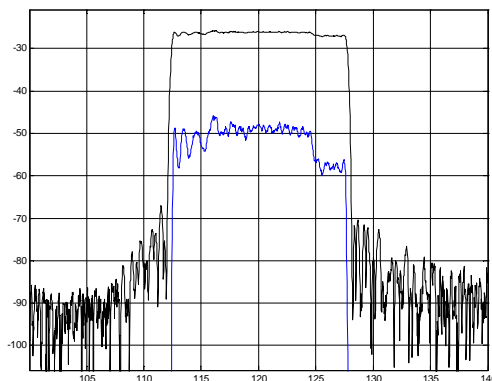




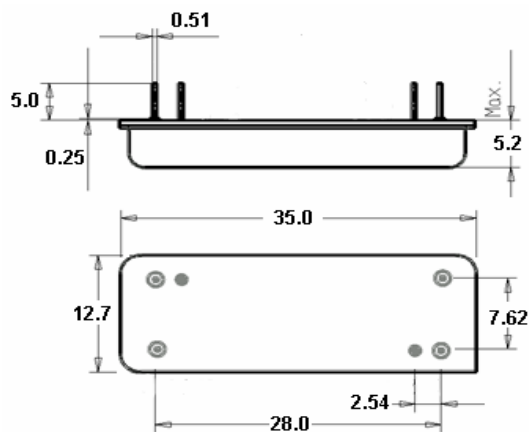
## LBN12012 SAW Filter Electrical Characteristic

<i>Specifications</i>				
Parameter	Unit	Minimum	Typical	Maximum
<b>Center Frequency</b>	MHz	119.875	120	120.125
<b>Insertion Loss</b>	dB	-	25	27
<b>1.5 dB Bandwidth</b>	MHz	15	15.05	-
<b>20 dB Bandwidth</b>	MHz	-	15.75	15.8
<b>25 dB Bandwidth</b>	MHz	-	15.9	16.05
<b>30 dB Bandwidth</b>	MHz	-	16.05	16.5
<b>40 dB Bandwidth</b>	MHz	-	16.15	17.5
<b>Passband variation</b>	dB	-	1	1.5
<b>Absolute Delay</b>	usec	-	2.85	2.95
<b>Ultimate Rejection</b>	dB	40	45	-
<b>Substrate Material</b>	-	YZ		
<b>Ambient Temperature</b>	°C	25		
<b>Package Size</b>	DIP3512 (35x12.7x5.2mm <sup>3</sup> )			
<b>Operation Temperature</b>	-40~+85°C			

### *Typical Performance*



### *Package Outline*



### *Matching Configuration*



L1=39nH    L2=33nH

C1=30pF

**Source/Load Impedance=50 ohm**

Notes - Component values may change depending on board layout.