

Characteristics

C_N	Δ	3x 15 μ F +10/-5 %
U_N		AC 525 V
f_N		50 Hz 60 Hz
Q_N		3,9 kvar 4,68 kvar
I_N		3x 4,3 A 5,2 A

$\tan \delta_0$ 0,2 W/kvar (dielectric)

Maximum ratings

U_{max}	AC 580 V, 8 h daily
	AC 680 V, 1 min
$I_r(40)$	3x 40 A ($\Theta_A = 60^\circ\text{C}$, U_N)
I_s	1800 A
$(du/dt)_{max}$	28 V/ μ s
$(du/dt)_s$	70 V/ μ s

Test data

U_{TT}	AC 1150 V, 10 s
U_{TC}	AC 3000 V, 10 s

$\tan \delta$ (50 Hz) \leq 0,5 W/kvar (total)

Climatic category

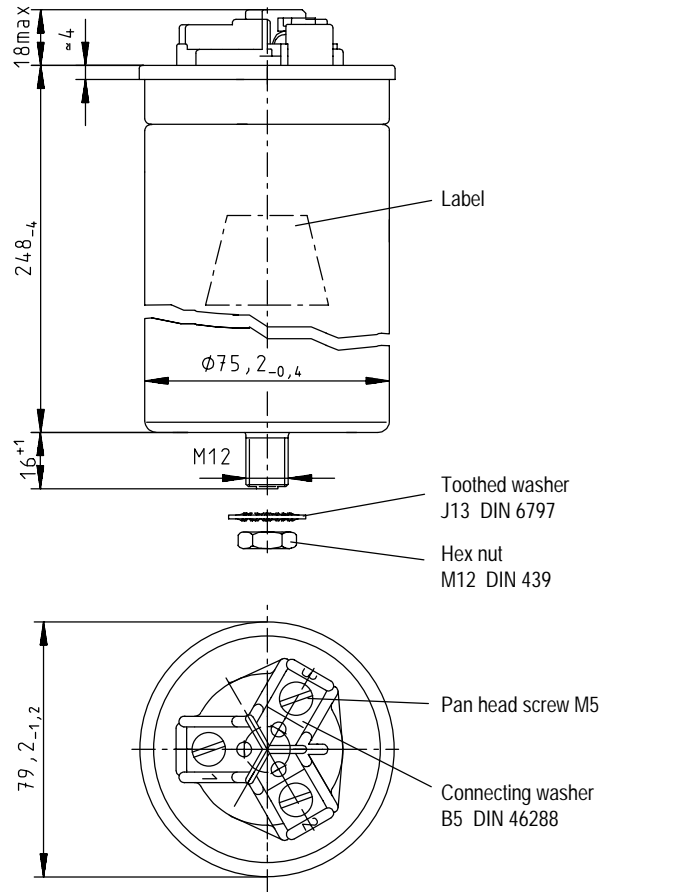
Θ_{min}	-25 $^\circ\text{C}$
Θ_{max}	+70 $^\circ\text{C}$
Humidity	Max. relative Humidity \leq 95 %
Θ_{stg}	-40 bis +70 $^\circ\text{C}$

Life expectancy

t_{LD} 100 000 h

Remarks

480 V, 60 Hz, 3,9 kvar



Dimensions in mm

Design data

Dimensions $\varnothing \times l$	79,2 x 248 mm (3,12 x 9,76 in)
Approx. weight	1,3 kg (2,9 lb)
Impregnation	Oil
Fixing	Threaded bolt M12
Mounting hole	14 mm (0,55 in)
Max. torque	10 Nm
Terminals	Screw clamps
Terminal cross section	6 mm ² (9 AWG)
Creepage distance	12,7 mm (0,50 in)
Clearance	9,6 mm (0,38 in)
Overpressure disconnecter	

The information in our data book / sheet describes the type of component and shall not be considered as assured characteristics. Mentioned data are considered to be preliminary. Electrical, mechanical and climatic data are subject to change without further notice. Availability for delivery may not be deduced from this preliminary data sheet.