

IF Filter for Video Applications

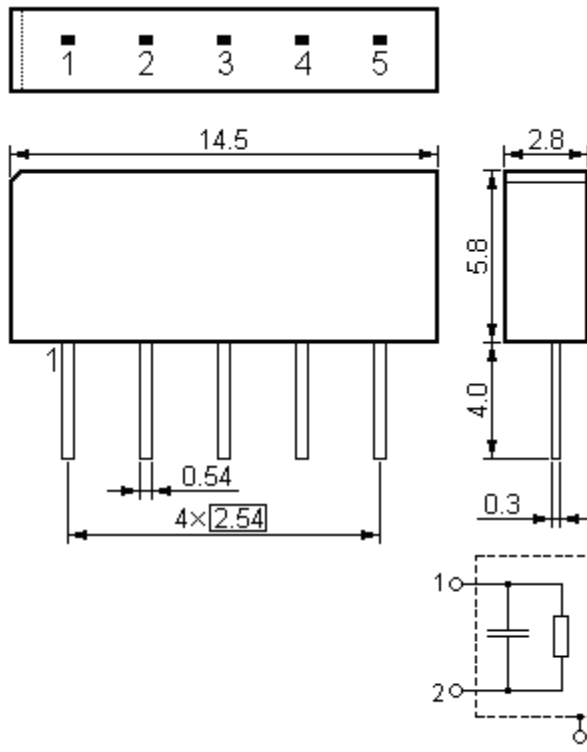
33.90MHz and 38.90 MHz

ACTK6046D/33.9-38.9/SIP5D

Features

- n Standard: B/G, D/K, I, L/L'
- n TV IF filter with Nyquist slope at 33.90 MHz and 38.90 MHz
- n Constant group delay

Package Dimension



Pin Configuration

- 1 Input
- 2 Input - ground
- 3 Chip carrier - ground
- 4 Output
- 5 Output

Plastic Package **SIP5D**
 Unit: mm

Performance

Maximum Ratings

Rating		Value	Unit
Operable Temperature Range	T_A	-25 to +65	°C
Storage Temperature Range	T_{stg}	-40 to +85	°C
DC Voltage (between any terminals)	V_{DC}	12	V
AC Voltage (between any terminals)	V_{PP}	10	V

In keeping with our ongoing policy of product evolution and improvement, the above specification is subject to change without notice.

ISO9001: 2000 Registered - Registration number 6830/2

For quotations or further information please contact us at:

3 The Business Centre, Molly Millars Lane, Wokingham, Berks, RG41 2EY, UK

<http://www.actcrystals.com>

Issue : 1 C1

Date : SEPT 04

Electronic Characteristics

Reference temperature: $T_A = 25\text{ }^\circ\text{C}$
 Terminating source impedance: $Z_S = 50\ \Omega$
 Terminating load impedance: $Z_L = 2\ \text{k}\Omega \parallel 3\ \text{pF}$

Item		min.	typ.	max.	Unit
Insertion attenuation	IL				
Reference level for the following data	37.40 MHz	12.0	13.5	15.0	dB
Relative attenuation	α_{rel}				
Picture carrier	38.90 MHz	3.5	4.5	5.5	dB
	33.90 MHz	5.8	7.0	8.2	dB
Colour carrier	34.47 MHz	—	1.3	—	dB
Sound carrier	33.40 MHz	20.0	25.0	—	dB
	32.90 MHz	—	43.0	—	dB
	32.40 MHz	—	58.0	—	dB
Adjacent picture carrier	30.90 MHz	48.0	65.0	—	dB
	31.90 MHz	42.0	52.0	—	dB
	40.15 MHz	30.0	34.0	—	dB
Adjacent sound carrier	40.40 MHz	35.0	43.0	—	dB
	41.40 MHz	45.0	60.0	—	dB
	40.90 MHz	40.0	52.0	—	dB
Lower sidelobe	25.00 ... 31.90 MHz	35.0	42.0	—	dB
Upper sidelobe	40.40 ... 45.00 MHz	32.0	40.0	—	dB
Reflected wave signal suppression					
1.2 μs ... 6.0 μs after main pulse (test pulse 250 ns, carrier frequency 37.40 MHz)		42.0	50.0	—	dB
Feed-through signal suppression					
1.2 μs ... 1.1 μs before main pulse (test pulse 250 ns, carrier frequency 37.40 MHz)		50.0	56.0	—	dB
Group delay ripple (p-p)	Δt	—	50	—	ns
Temperature coefficient of frequency	TC_f	—	-72	—	ppm/K

In keeping with our ongoing policy of product evolution and improvement, the above specification is subject to change without notice.

ISO9001: 2000 Registered - Registration number 6830/2

For quotations or further information please contact us at:

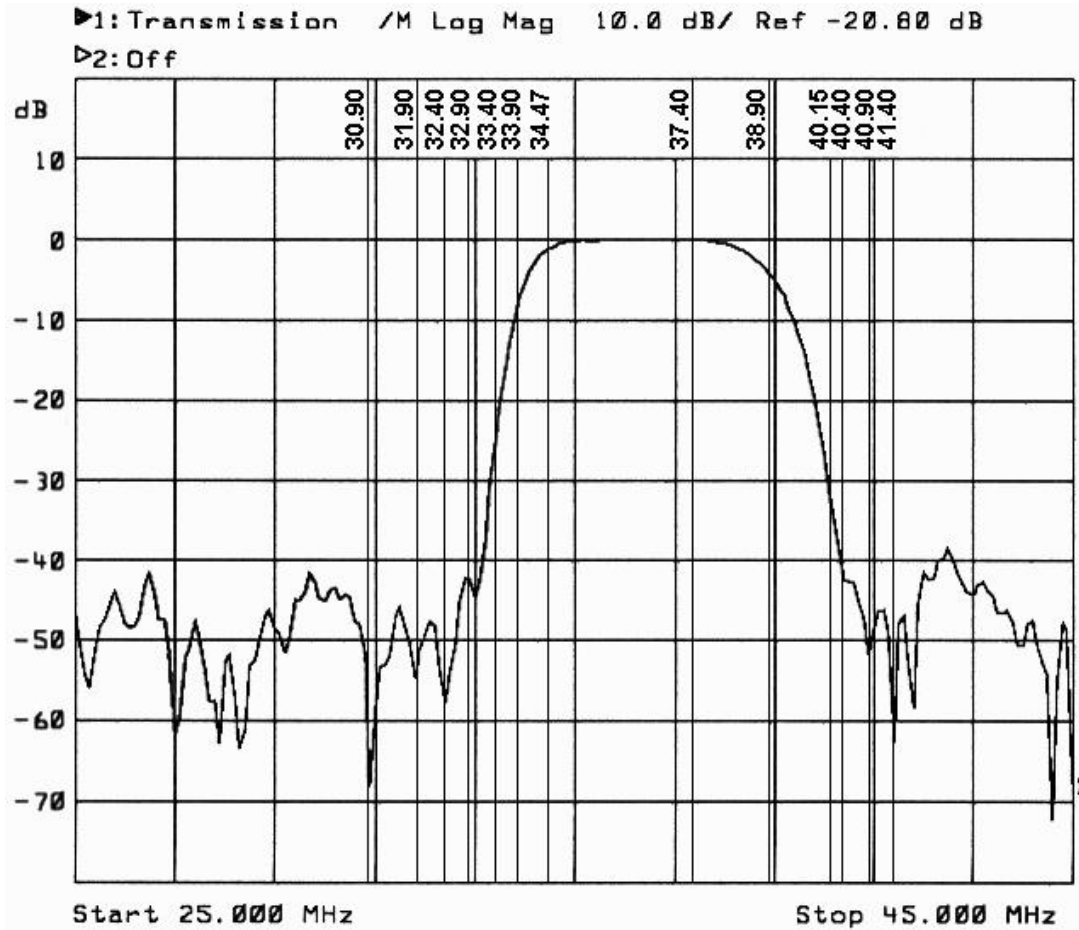
3 The Business Centre, Molly Millars Lane, Wokingham, Berks, RG41 2EY, UK

<http://www.actcrystals.com>

Issue : 1 C1

Date : SEPT 04

Frequency Response



i CAUTION: Electrostatic Sensitive Device. Observe precautions for handling!

In keeping with our ongoing policy of product evolution and improvement, the above specification is subject to change without notice.

ISO9001: 2000 Registered - Registration number 6830/2

For quotations or further information please contact us at:

3 The Business Centre, Molly Millars Lane, Wokingham, Berks, RG41 2EY, UK

<http://www.actcrystals.com>

Issue : 1 C1

Date : SEPT 04